



Assembly and Operating Manual

PG 70

Universal gripper

Firmware 1.x

Translation of Original Operating
Manual

Hand in hand for tomorrow

Imprint

Copyright:

This manual is protected by copyright. The author is SCHUNK SE & Co. KG.
All rights reserved.

Technical changes:

We reserve the right to make alterations for the purpose of technical improvement.

Document number: 389273

Version: 12.00 | 21/03/2024 | en

Dear Customer,

Thank you for trusting our products and our family-owned company, the leading technology supplier of robots and production machines.

Our team is always available to answer any questions on this product and other solutions. Ask us questions and challenge us. We will find a solution!

Best regards,

Your SCHUNK team

Customer Management

Tel. +49-7133-103-2503

Fax +49-7133-103-2189

cmg@de.schunk.com



Please read the operating manual in full and keep it close to the product.

Table of Contents

1 General	5
1.1 About this manual	5
1.1.1 Presentation of Warning Labels	5
1.1.2 Applicable documents	6
1.1.3 Sizes	6
1.2 Warranty	6
1.3 Scope of delivery	6
1.4 Accessories	7
1.4.1 Connection caps (ASK)	7
2 Basic safety notes	8
2.1 Intended use	8
2.2 Not intended use	8
2.3 Constructional changes	8
2.4 Spare parts	9
2.5 Ambient conditions and operating conditions	9
2.5.1 Electromagnetic compatibility	9
2.5.2 Environmental conditions	11
2.6 Personnel qualification	12
2.7 Personal protective equipment	13
2.8 Notes on safe operation	14
2.9 Transport	14
2.10 Malfunctions	14
2.11 Disposal	14
2.12 Fundamental dangers	15
2.12.1 Protection during handling and assembly	15
2.12.2 Protection during commissioning and operation	15
2.12.3 Protection against dangerous movements	16
2.12.4 Protection against electric shock	17
2.12.5 Protection against magnetic and electromagnetic fields	18
2.13 Notes on particular risks	19
3 Technical data	21
3.1 Basic data	21
3.2 Factory settings / DEFAULT values	22
3.3 Requirements for the voltage supply	22
4 Design and description	23
4.1 Structure	23
4.2 Functional principle	24
4.3 Connection board	25

5	Assembly and installation	28
5.1	Mechanical connection.....	28
5.2	Example of mounting.....	29
5.3	Electrical connection.....	30
5.3.1	Installing connection cap.....	30
5.3.2	RS232 interface.....	32
5.3.3	CAN interface.....	33
5.3.4	PROFIBUS DP interface.....	36
5.3.5	Electrical connection of the terminal strip X3.....	39
5.3.6	DEFAULT and BOOT function.....	40
5.4	Connecting the ground cable (functional ground).....	42
5.5	Information on the compatibility of software and firmware versions.....	42
6	Troubleshooting	44
6.1	Product can no longer be referenced.....	44
6.2	Product does not move.....	44
6.3	Product moves sluggishly or jerks.....	44
6.4	Motor does not turn.....	44
6.5	Product stops abruptly.....	44
6.6	Motor rotates but does not move gripper.....	44
6.7	Product does not execute a complete stroke.....	45
6.8	The gripping force drops.....	45
6.9	Product opens or closes jerkily.....	45
7	Maintenance	46
7.1	Maintenance intervals.....	46
7.2	Measures for preserving the gripper's function.....	46
7.3	Lubricants/greasing areas (basic lubrication).....	47
7.4	Disassembly and assembling.....	48
8	Translation of the original declaration of incorporation	49
9	UKCA declaration of incorporation	50
10	Information on the RoHS Directive, REACH Regulation and Substances of Very High Concern (SVHC)	51

1 General

1.1 About this manual

This manual contains important information for a safe and appropriate use of the product.

This manual is an integral part of the product and must be kept accessible for the personnel at all times.

Before starting work, the personnel must have read and understood this operating manual. Prerequisite for safe working is the observance of all safety instructions in this manual.

In addition to these instructions, the documents listed under ▶ 1.1.2 [6] are applicable.

NOTE: The illustrations in this manual are intended to provide a basic understanding and may deviate from the actual version.

1.1.1 Presentation of Warning Labels

To make risks clear, the following signal words and symbols are used for safety notes.



⚠ DANGER

Dangers for persons!

Non-observance will inevitably cause irreversible injury or death.



⚠ WARNING

Dangers for persons!

Non-observance can lead to irreversible injury and even death.



⚠ CAUTION

Dangers for persons!

Non-observance can cause minor injuries.

CAUTION

Material damage!

Information about avoiding material damage.

1.1.2 Applicable documents

- General terms of business *
- Catalog data sheet of the purchased product *
- Assembly and operating manuals of the accessories *
- Software manual "Motion Control SCHUNK" *

Die mit Stern (*) gekennzeichneten Unterlagen können unter [schunk.com/downloads](https://www.schunk.com/downloads) heruntergeladen werden.

1.1.3 Sizes

This operating manual applies to the following sizes:

- PG – 70

1.2 Warranty

If the product is used as intended, the warranty is valid for 24 months from the ex-works delivery date under the following conditions:

- Observe the ambient conditions and operating conditions, ▶ 2.5 [9]
- Observe the specified maintenance intervals, ▶ 7 [46]

Parts touching the workpiece and wear parts are not included in the warranty.

1.3 Scope of delivery

The scope of delivery includes

- Universal gripper PG in the version ordered
- Centering sleeve
- SMP firmware
- DVD

Contents of DVD:

- "SCHUNK Motion Tool (MTS)" configuration and commissioning tool
- Software manual "Motion Control SCHUNK"
- Assembly and Operating Manual
- USB driver

1.4 Accessories

The following accessories, which must be ordered separately, are required for the product:

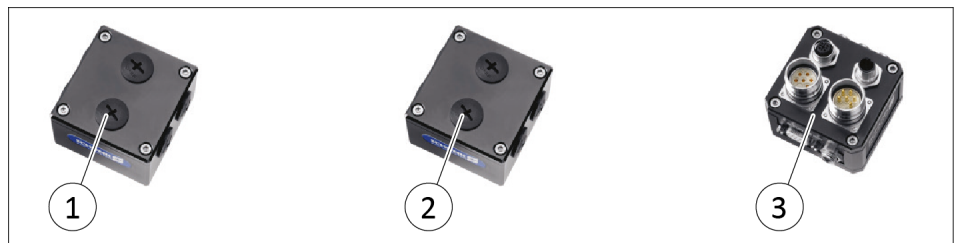
- Connection cable
- a wide range of connection caps

For information regarding which accessory articles can be used with the corresponding product variants, see catalog data sheet.

1.4.1 Connection caps (ASK)

NOTE

The product is delivered without the connection cap. This must be ordered separately as an accessory. A connection cap is necessary to operate the product.



Connection caps

Item	Designation
1	DMI
2	DMI with Bluetooth
3	MMI

Precise type designations of the connection caps, see catalog.

2 Basic safety notes

2.1 Intended use

The product is designed exclusively for gripping and temporarily holding workpieces or objects.

- The product may only be used within the scope of its technical data, ▶ 3 [21].
- When implementing and operating components in safety-related parts of the control systems, the basic safety principles in accordance with DIN EN ISO 13849-2 apply. The proven safety principles in accordance with DIN EN ISO 13849-2 also apply to categories 1, 2, 3 and 4.
- The product is intended for installation in a machine/ automated system. The applicable guidelines for the machine/ automated system must be observed and complied with.
- The product is intended for industrial and industry-oriented use.
- Appropriate use of the product includes compliance with all instructions in this manual.

2.2 Not intended use

It is not intended use if the product is used, for example, as a pressing tool, stamping tool, lifting gear, guide for tools, cutting tool, clamping device or a drilling tool.

- Any utilization that exceeds or differs from the appropriate use is regarded as misuse.

2.3 Constructional changes

Implementation of structural changes

Modifications, changes or reworking, e.g. additional threads, holes, or safety devices, can damage the product or impair its functionality or safety.

- Structural changes should only be made with the written approval of SCHUNK.

2.4 Spare parts

Use of unauthorized spare parts

Using unauthorized spare parts can endanger personnel and damage the product or cause it to malfunction.

- Use only original spare parts or spares authorized by SCHUNK.

2.5 Ambient conditions and operating conditions

Required ambient conditions and operating conditions

Incorrect ambient and operating conditions can make the product unsafe, leading to the risk of serious injuries, considerable material damage and/or a significant reduction to the product's life span.

- Make sure that the product is used only in the context of its defined application parameters, ▶ 3 [📄 21].

2.5.1 Electromagnetic compatibility

The product meets the requirements of the EMC act of the inner-European market, among other requirements. The product has passed the EMC test as per the following standards:

Standard	Title
EN 61000-6-2 (2006)	EMC: Generic standard – Immunity for industrial environments
EN 61000-6-3 (2011)	EMC: Generic standard – Emission standard for residential and light-industrial environments

The product must be installed using interference-free cables and in a way that meets EMC requirements in order to ensure interference-free operation.

Interference

Pulse-shaped interference:

The following table shows the electromagnetic compatibility in relation to pulse-shaped interference.

Pulse-shaped interference	Tested with	Corresponds to degree of severity
Electrostatic discharge as per EN 61000-4-2 (2008)	Air discharge: 8 kV Contact discharge: 4 kV	3
Burst pulses, fast transient interference as per EN 61000-4-4 (2008)	Supply line: + - 2 kV On signal, data and control cable: + - 1kV	3
High-energy single pulse (surge) EN 61000-4-5	+ - 500V, symmetrical surge, + - 500V, asymmetrical surge (Cable length > 30 m)	1

Sinusoidal interference:

The following table shows the electromagnetic compatibility in relation to sinusoidal interference.

Sinusoidal interference	Test values	Corresponds to degree of severity
HF radiation (electromagnetic fields) as per EN 61000-4-3	80% amplitude modulation at 1 kHz to 10 V/m in the range of 80 ... 1000 MHz to 3 V/m in the range of 1.4 ... 2 GHz to 1 V/m in the range of 2 ... 2.7 GHz	3
HF energization on cables and cable shielding as per EN 61000-4-6	Test voltage 10 V with amplitude modulation 80% of 1 kHz in the range of 150 kHz ... 80 MHz	3

Emission of radio interference Emissions were tested and confirmed as per EN 61000-6-3.

Conducted interference emissions	Value
0.15 ... 0.5 MHz	< 66 dB (µV) quasi-peak, < 56 dB (µV) average
0.5 ... 5 MHz	< 56dB (µV) quasi-peak, < 46 dB (µV) average
5 ... 30 MHz	< 60 dB (µV) quasi-peak, < 50 dB (µV) average

The following table shows the interference emission from electromagnetic fields as per EN 55011:2009, limit class A, group 1, measured at a distance of 10 m.

Interference	Value
30 ... 230 MHz	< 30 dB (µV) quasi-peak, measured at 10m
230 ... 1000MHz	< 37 dB (µV) quasi-peak, measured at 10m

2.5.2 Environmental conditions

Transport and storage requirements The product in question exceeds the requirements set out in IEC 61131-2:2007 with regard to permitted ambient conditions. The following data applies in cases where the product is transported and stored in its original packaging.

Mechanical ambient conditions Standard: IEC 60721-3-2 (Edition 1. 3. 1997) Title: Classification of environmental conditions – Part 3: Classification of groups of environmental parameters and their severities, Section 2: Transportation. Class 2M2 applies.

Climatic ambient conditions Standard: IEC 60721-3-2 (Edition 1. 3. 1997) Title: Classification of environmental conditions – Part 3: Classification of groups of environmental parameters and their severities, Section 2: Transportation. Class 2K4 applies.

Based on the named standards, the following values apply for the basic ambient conditions.

Ambient condition	Value	Note
Free fall EN 60068-2-32	≤ 0.3 m	In transport packaging: 5 g
Temperature EN 60068-2-2	+70°C	Bb test, dry heat, storage
Temperature EN 60068-2-1	-40°C	Ab test, cold, storage
Thermal shock EN 60068-2-14	-40 ... +70°C	Na test, holding time 3 h, 5 cycles
Air pressure IEC 60068-2-13	1140 ... 660 hPa	Corresponds to a height of -1000 ... 3500 m

Operational requirements The following overview shows the permitted ambient conditions for the product.

Mechanical ambient conditions Standard: IEC 60721-3-2 (Edition 1. 3. 1997) Title: Classification of environmental conditions – Part 3: Classification of groups of environmental parameters and their severities, Section 3: Stationary use at weatherprotected locations. Class 3M3 applies.

Climatic ambient conditions Standard: IEC 60721-3-2 (Edition 1. 3. 1997) Title: Classification of environmental conditions – Part 3: Classification of groups of environmental parameters and their severities, Section 3: Stationary use at weatherprotected locations. Class 3K3 applies.

Based on the named standards, the following values apply for the basic ambient conditions.

Ambient condition	Value	Note
Temperature EN 60068-2-2	+55°C	Air humidity 55%, non-condensing, dry heat, in operation
Temperature EN 60068-2-1	0°C	Cold, storage, in operation
Temperature EN 60068-2-30	+25 ... +55°C	Damp heat, cyclic

The product may only be used in the following locations if additional measures are taken:

- In locations with a high level of ionizing radiation
- In locations with difficult operating conditions, e.g., due to caustic fumes, gases, oils or chemicals
- In facilities requiring special monitoring, e.g., in particularly at-risk areas

The product must also not be used in potentially explosive zones. If the product is subjected to unacceptably large impacts or vibrations, suitable measures must be taken to reduce the amplitude or acceleration of such disturbances. Vibration-damping or vibration-absorbing systems are to be used in such cases.

Tests with regard to ambient conditions

Tests with regard to mechanical ambient conditions

The following table shows the type and extent of tests that were used to check the product with regard to mechanical ambient conditions.

Test	Physical quantity	Value, note
Vibrations EN 60068-2-6 (Version 2008)	Vibration	Sine
	Frequency range	5 ... 500 Hz
		Deflection 10 mm
		5 ... 500 Hz Vibration acceleration 30 m/s ²
Shock EN 60068-2-27 (Version 2009)	Shock form	Half sine
	Peak acceleration	250 m/s ²
	Pulse duration	11 ms
	Number of shocks per direction	50 per axis
	Number of axes	3

2.6 Personnel qualification

Inadequate qualifications of the personnel

If the personnel working with the product is not sufficiently qualified, the result may be serious injuries and significant property damage.

- All work may only be performed by qualified personnel.
- Before working with the product, the personnel must have read and understood the complete assembly and operating manual.
- Observe the national safety regulations and rules and general safety instructions.

The following personal qualifications are necessary for the various activities related to the product:

Trained electrician	Due to their technical training, knowledge and experience, trained electricians are able to work on electrical systems, recognize and avoid possible dangers and know the relevant standards and regulations.
Qualified personnel	Due to its technical training, knowledge and experience, qualified personnel is able to perform the delegated tasks, recognize and avoid possible dangers and knows the relevant standards and regulations.
Instructed person	Instructed persons were instructed by the operator about the delegated tasks and possible dangers due to improper behaviour.
Service personnel of the manufacturer	Due to its technical training, knowledge and experience, service personnel of the manufacturer is able to perform the delegated tasks and to recognize and avoid possible dangers.

2.7 Personal protective equipment

Use of personal protective equipment

Personal protective equipment serves to protect staff against danger which may interfere with their health or safety at work.

- When working on and with the product, observe the occupational health and safety regulations and wear the required personal protective equipment.
- Observe the valid safety and accident prevention regulations.
- Wear protective gloves to guard against sharp edges and corners or rough surfaces.
- Wear heat-resistant protective gloves when handling hot surfaces.
- Wear protective gloves and safety goggles when handling hazardous substances.
- Wear close-fitting protective clothing and also wear long hair in a hairnet when dealing with moving components.

2.8 Notes on safe operation

Incorrect handling of the personnel

Incorrect handling and assembly may impair the product's safety and cause serious injuries and considerable material damage.

- Avoid any manner of working that may interfere with the function and operational safety of the product.
- Use the product as intended.
- Observe the safety notes and assembly instructions.
- Do not expose the product to any corrosive media. This does not apply to products that are designed for special environments.
- Eliminate any malfunction immediately.
- Observe the care and maintenance instructions.
- Observe the current safety, accident prevention and environmental protection regulations regarding the product's application field.

2.9 Transport

Handling during transport

Incorrect handling during transport may impair the product's safety and cause serious injuries and considerable material damage.

- When handling heavy weights, use lifting equipment to lift the product and transport it by appropriate means.
- Secure the product against falling during transportation and handling.
- Stand clear of suspended loads.

2.10 Malfunctions

Behavior in case of malfunctions

- Immediately remove the product from operation and report the malfunction to the responsible departments/persons.
- Order appropriately trained personnel to rectify the malfunction.
- Do not recommission the product until the malfunction has been rectified.
- Test the product after a malfunction to establish whether it still functions properly and no increased risks have arisen.

2.11 Disposal

Handling of disposal

The incorrect handling of disposal may impair the product's safety and cause serious injuries as well as considerable material and environmental harm.

- Follow local regulations on dispatching product components for recycling or proper disposal.

2.12 Fundamental dangers

General

- Observe safety distances.
- Never deactivate safety devices.
- Before commissioning the product, take appropriate protective measures to secure the danger zone.
- Disconnect power sources before installation, modification, maintenance, or calibration. Ensure that no residual energy remains in the system.
- If the energy supply is connected, do not move any parts by hand.
- Do not reach into the open mechanism or movement area of the product during operation.

2.12.1 Protection during handling and assembly

Incorrect handling and assembly

Incorrect handling and assembly may impair the product's safety and cause serious injuries and considerable material damage.

- Have all work carried out by appropriately qualified personnel.
- For all work, secure the product against accidental operation.
- Observe the relevant accident prevention rules.
- Use suitable assembly and transport equipment and take precautions to prevent jamming and crushing.

Incorrect lifting of loads

Falling loads may cause serious injuries and even death.

- Stand clear of suspended loads and do not step into their swiveling range.
- Never move loads without supervision.
- Do not leave suspended loads unattended.

2.12.2 Protection during commissioning and operation

Falling or violently ejected components

Falling and violently ejected components can cause serious injuries and even death.

- Take appropriate protective measures to secure the danger zone.
- Never step into the danger zone during operation.

2.12.3 Protection against dangerous movements

Unexpected movements

Residual energy in the system may cause serious injuries while working with the product.

- Switch off the energy supply, ensure that no residual energy remains and secure against inadvertent reactivation.
- The faulty actuation of connected drives may cause dangerous movements.
- Operating mistakes, faulty parameterization during commissioning or software errors may trigger dangerous movements.
- Never rely solely on the response of the monitoring function to avert danger. Until the installed monitors become effective, it must be assumed that the drive movement is faulty, with its action being dependent on the control unit and the current operating condition of the drive. Perform maintenance work, modifications, and attachments outside the danger zone defined by the movement range.
- To avoid accidents and/or material damage, human access to the movement range of the machine must be restricted. Limit/prevent accidental access for people in this area due through technical safety measures. The protective cover and protective fence must be rigid enough to withstand the maximum possible movement energy. EMERGENCY STOP switches must be easily and quickly accessible. Before starting up the machine or automated system, check that the EMERGENCY STOP system is working. Prevent operation of the machine if this protective equipment does not function correctly.

2.12.4 Protection against electric shock

Work on electrical equipment

Touching live parts may result in death.

- Work on the electrical equipment may only be carried out by qualified electricians in accordance with the electrical engineering regulations.
- Lay electrical cables properly, e. g. in a cable duct or a cable bridge. Observe standards.
- Before connecting or disconnecting electrical cables, switch off the power supply and check that the cables are free of voltage. Secure the power supply against being switched on again.
- Before switching on the product, check that the protective earth conductor is correctly attached to all electrical components according to the wiring diagram.
- Check whether covers and protective devices are fitted to prevent contact with live components.
- Do not touch the product's terminals when the power supply is switched on.

Possible electrostatic energy

Components or assembly groups may become electrostatically charged. When the electrostatic charge is touched, the discharge may trigger a shock reaction leading to injuries.

- The operator must ensure that all components and assembly groups are included in the local potential equalisation in accordance with the applicable regulations.
- While paying attention to the actual conditions of the working environment, the potential equalisation must be implemented by a specialist electrician according to the applicable regulations.
- The effectiveness of the potential equalisation must be verified by executing regular safety measurements.

2.12.5 Protection against magnetic and electromagnetic fields

Work in areas with magnetic and electromagnetic fields

Magnetic and electromagnetic fields can lead to serious injuries.

- Persons with pace-makers, metal implants, metal shards, or hearing aids require the consent of a physician before entering areas in which components of the electric drive and control systems are mounted, started up, and operated.
- Persons with pace-makers, metal implants, metal shards, or hearing aids require the consent of a physician before entering areas in which magnetic grippers or motor parts with permanent magnets are stored, repaired, or assembled.
- Do not operate high-frequency or radio devices in the proximity of electric components of the drive system and their feed lines.

If the use of such devices is necessary:

When starting up the electric drive and control system, check the machine or automated system for possible failures when such systems are used at different intervals and in different states of the control system. A special additional EMC test may be necessary if the system has a high risk potential.

2.13 Notes on particular risks



⚠ DANGER

Danger from electric voltage!

Touching live parts may result in death.

- Switch off the power supply before any assembly, adjustment or maintenance work and secure against being switched on again.
- Only qualified electricians may perform electrical installations.
- Check if de-energized, ground it and hot-wire.
- Cover live parts.



⚠ DANGER

Risk of fatal injury from suspended loads!

Falling loads can cause serious injuries and even death.

- Stand clear of suspended loads and do not step within their swiveling range.
- Never move loads without supervision.
- Do not leave suspended loads unattended.
- Wear suitable protective equipment.



⚠ WARNING

Risk of injury from objects falling and being ejected!

Falling and ejected objects during operation can lead to serious injury or death.

- Take appropriate protective measures to secure the danger zone.



⚠ WARNING

Risk of injury due to unexpected movements!

If the power supply is switched on or residual energy remains in the system, components can move unexpectedly and cause serious injuries.

- Before starting any work on the product: Switch off the power supply and secure against restarting.
- Make sure, that no residual energy remains in the system.



⚠ WARNING

Risk of injury from crushing and impacts!

Serious injury could occur during movement of the base jaw, due to breakage or loosening of the gripper fingers or if the workpiece is lost.

- Wear suitable protective equipment.
- Do not reach into the open mechanism or the movement area of the product.



⚠ WARNING

Risk of injury from sharp edges and corners!

Sharp edges and corners can cause cuts.

- Use suitable protective equipment.



⚠ WARNING

Risk of injury from objects falling in the event of an energy supply failure

In case of an energy supply failure, the gripping force decreases and a secure hold on the gripped workpiece cannot be guaranteed.

- Take suitable protective measures to secure the danger zone.

3 Technical data

3.1 Basic data

Designation	PG 70
Mechanical operating data	
Weight [kg]	1.4
Noise emission [dB(A)]	≤ 70
Protection class IP* (for use of the DMI connection cap)	20
Ambient temperature [°C]	
Min.	+ 5
Max.	+ 55
Min. / max. gripping force [N]	30 / 200
Stroke per jaw [mm]	34
Electrical operating data (power connection)	
Nominal voltage [VDC]	24
Nominal power current [A]	1.4
Max. current [A]	1.8
Electronic control unit	
Power supply [VDC]	24 24 V DC +10% / -4%; Ripple < 150mV _{SS} ; Spikes < 240mV _{SS}
Nominal power current [A]	0.5
Closing value	Number of modules x rated module current x 1.2
Interface	
RS232	X
CAN bus	X
PROFIBUS DP	X

Note: applies in combination with the DMI connection cap. When using a different connection cap, interfaces in accordance with the respective connection cap are available.

Sensor system	Encoder
----------------------	---------

* For use in dirty ambient conditions (e.g. sprayed water, vapors, abrasion or processing dust) SCHUNK offers corresponding product options as standard. SCHUNK also offers customized solutions for special applications in dirty ambient conditions.

More technical data is included in the catalog data sheet. Whichever is the latest version.

3.2 Factory settings / DEFAULT values

Reference value	DEFAULT value
Interface	RS232
Baud rate	9600
Module address	12

3.3 Requirements for the voltage supply

NOTE

If the product is operated during a position run at high speed, acceleration and jerk values, then voltage peaks in the power supply may occur when delaying/braking due to the engine recovering. The terminal voltage of the power supply can increase via the output voltage of the power supply unit.

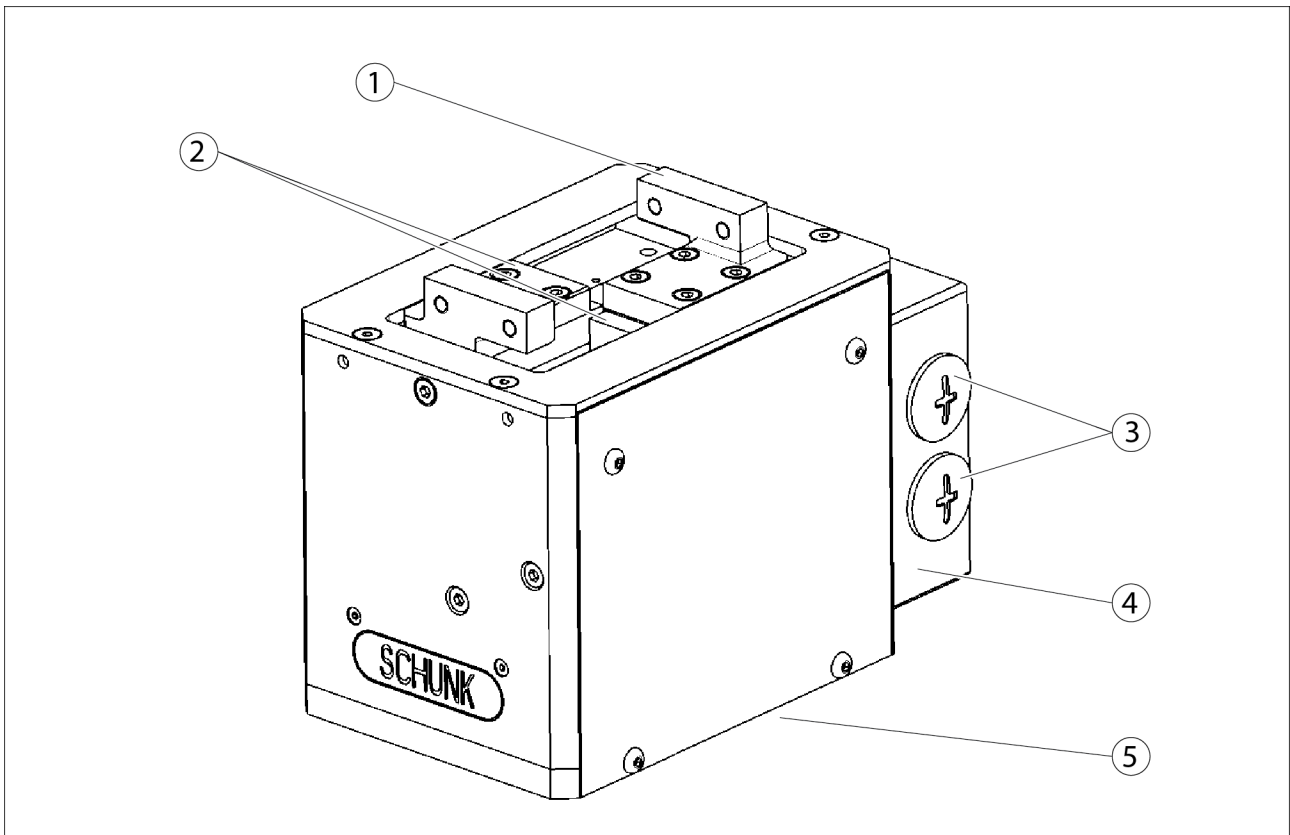
The power supply unit used for the power needs to be able to handle this overvoltage and must not switch off its output voltage. Otherwise, the product, for example, will stop with the error message "ERROR_Motor_Voltage_LOW!" or "ERROR_Motor_Voltage_High" which must be acknowledged.

Supply of the logic and power are to be separate. For this reason, it is recommended that the product be connected in the following way:

1. Connection of the logic supply of the product to a 24V power supply unit.
2. Connection of the power supply of the product to a transformer power supply unit or to a switching power supply unit.

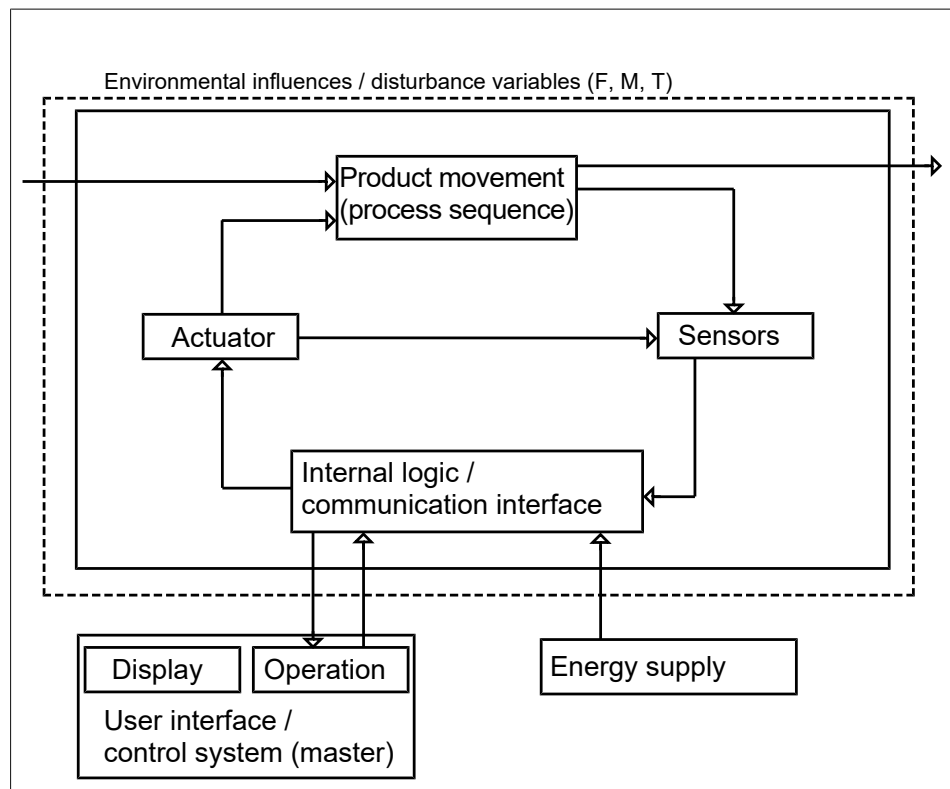
4 Design and description

4.1 Structure



1	Gripper base jaws with base jaw guide	2	Greasing areas
3	Locking screw to ASK	4	Connection cap (ASK) with metric cable fitting
5	Base plate with 8 threaded holes		

4.2 Functional principle



Operation principle

The actuator (in this case a DC motor) is regulated by the internal logic. The required parameters are transferred from the higher level controller (master) to the internal logic.

The product carries out a movement. Its position is checked constantly. The parameters required for this are transmitted by the sensors back to the internal logic.

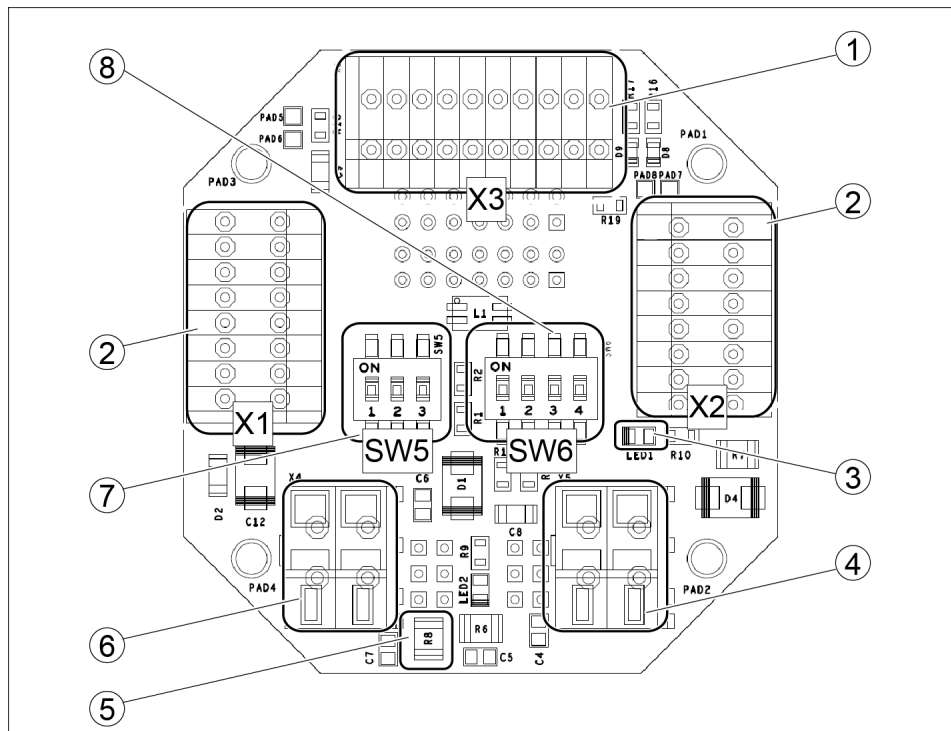
The following parameters can be transferred from the overriding control (master) to the internal logic:

- Current I
- Speed v
- Acceleration a
- Position

NOTE

All possible parameters and the special features of each communication interface (of the individual bus systems) are described in more detail in the document about SCHUNK Motion Protocol, see DVD, document: MotionToolSchunk.pdf.

4.3 Connection board



Adapter board

Item	Designation	Item	Designation
1	Digital inputs and outputs (X3)	5	Motor voltage LED
2	Supply of the module and supply loop-through, bus connection (X1/X2)	6	Motor voltage +24V
3	Logic voltage LED	7	Boot/default switch (SW5)
4	Motor voltage GND	8	Termination resistors switch (SW6)

Function of terminals:

- X1 is for communication with the module.
- X2 is for connecting additional modules.
- X3 is for using digital inlets and outlets. Additional sensors can be connected here. The assignment of this terminal is independent of the communication interfaces.

Connection for the digital inlets and outlets (X1/X2)

Marking	Function
BUS_H	CAN_H / PROFIBUS BUS_A
BUS_L	CAN_L / PROFIBUS BUS_B
Tx	RS232 TX (caution: previously RX)

Connection for the digital inlets and outlets (X1/X2)

Marking	Function
Rx	RS232 RX (caution: previously TX)
GND	GND
+24 V	+24 V logic supply
PE	Connection for e.g. Shield
GND	GND

Connection for the digital inlets and outlets (X3)

Marking	Function
VS/2	Supply IOs 5V–24V
GND/2	Supply IO's GND
IN0	Digital input 0
IN1	Digital input 1
IN2	Digital input 2
IN3	Digital input 3
OUT0	Digital output 0
OUT1	Digital output 1
OUT2	Digital output 2
OUT3	Digital output 3

Switch for Boot/Default (SW5)

Marking	Function
S1 (boot)	Sets firmware to Boot mode (only for servicing purposes). New firmware can be loaded onto the module, ► 5.3.6 [40].
S2 (Default)	Resets the module to default settings, ► 5.3.6 [40].
S3 (Tx)	Only for internal purposes. The switch must be in the "OFF" position.

Termination resistors switch (SW6)

Marking	Function
S1 – 3 (PROFIBUS termination)	Sets the terminating resistor for the PROFIBUS.
S4 (CAN termination)	Sets the terminating resistor for the CAN bus.

DIP switches for PROFIBUS

If the PROFIBUS module is the last device on the PROFIBUS, all three "PROFIBUS termination" DIP switches must be in the "ON" position.

If the PROFIBUS module is not the last device on the PROFIBUS, all three "PROFIBUS termination" DIP switches must be in the "OFF" position.

DIP switch for CAN bus

If the CAN module is the last device on the CAN bus, the "CAN termination" DIP switch must be in the "ON" position.

If the CAN module is not the last device on the CAN bus, the "CAN termination" DIP switch must be in the "OFF" position.

5 Assembly and installation

5.1 Mechanical connection

Evenness of the mounting surface

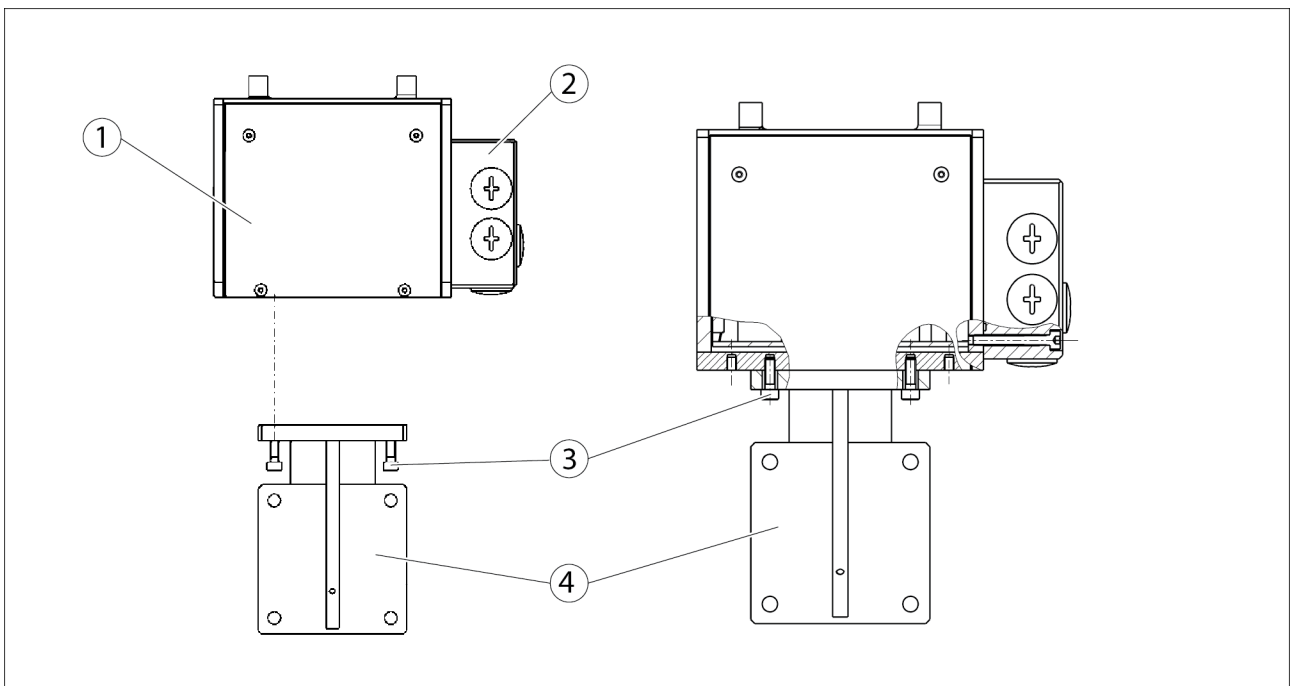
The values apply to the whole mounting surface to which the product is mounted.

Edge length	Permissible unevenness
< 100	< 0.02
> 100	< 0.05

Tab.: Requirements for evenness of the mounting surface (Dimensions in mm)

Choose the installation position so that connection cables are not damaged or cannot wrap around the product when swiveling.

- Connect the product to the machine/system with screws.
 - ⇒ Use suitable connecting elements (adapter plates) if necessary.
 - ⇒ Observe the permissible depth of engagement.
 - ⇒ Observe the tightening torque for the mounting screws.



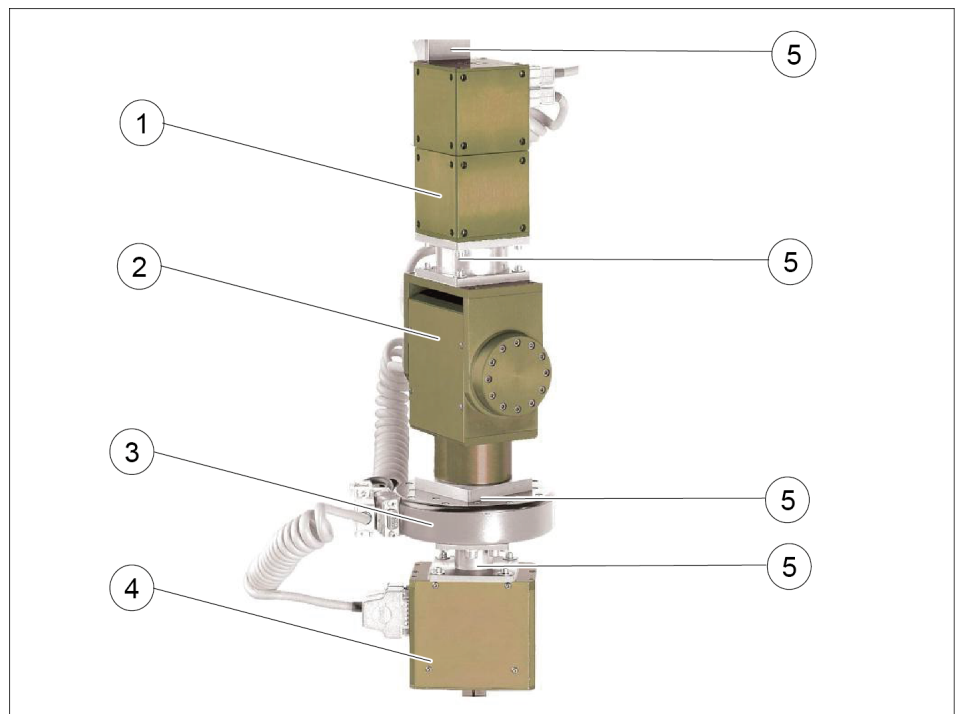
Possibility to assemble with PAM angle

1	Gripper PG	2	Connection cap (ASK)
3	Screws	4	Connecting element

Tab.: Mounting material (provided by the customer)

Item	Designation	
3	Screws	see catalog, accessories: PAM
4	Connecting element	4 pieces on each side of the connecting element
		PG 70
Thread		M4
permissible depth of engagement [mm]		5
Tightening torque [Nm]		3
The specifications refer to screws of strength class 8.8.		

5.2 Example of mounting



Assembly example

1	Servo-electric swivel unit (PR)	4	Servo-electric swivel unit (PW)
2	Force/torque sensor (FCT)	5	Servo-electric 2-finger parallel gripper (PG)
3	Connecting elements (PAM, adapter plate)		

5.3 Electrical connection



⚠ DANGER

Danger from electric voltage!

Touching live parts may result in death.

- Switch off the power supply before any assembly, adjustment or maintenance work and secure against being switched on again.
- Only qualified electricians may perform electrical installations.
- Check if de-energized, ground it and hot-wire.
- Cover live parts.

CAUTION

Damage through regenerative energy!

Regenerative energy may build up under great loads. This can damage the electronics.

- Ensure discharge of regenerative energy on customer's premises.
SCHUNK recommends the use of a brake chopper (Type: ACC3EA001 ID number 9951504). The response threshold of the utilized brake chopper must be set as follows:
For 24 V operation:
set the brake chopper to 28 V or "0"

CAUTION

Material damage due to faulty connection!

Electronic components can be damaged in case of all-pole disconnection.

NOTE

The cable color throughout this chapter refers to the use of a SCHUNK connection cable.

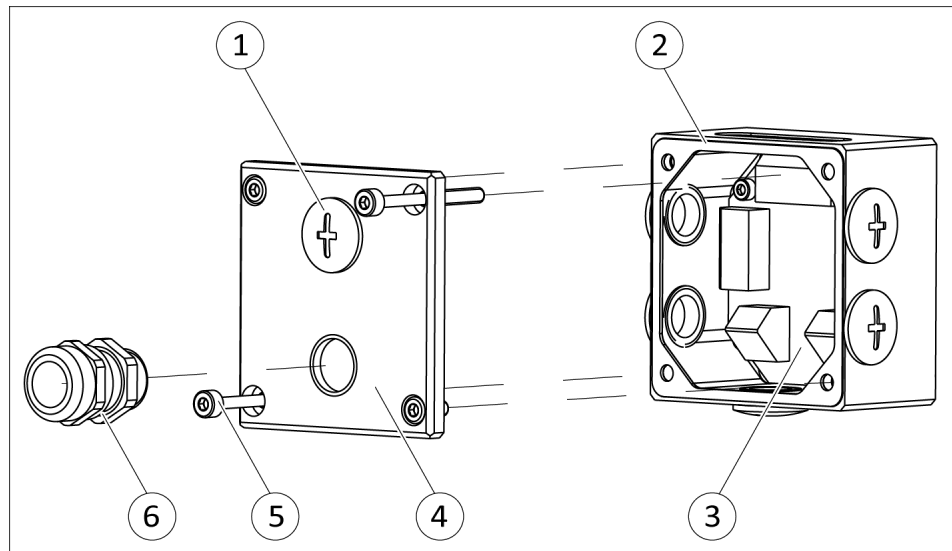
5.3.1 Installing connection cap

CAUTION

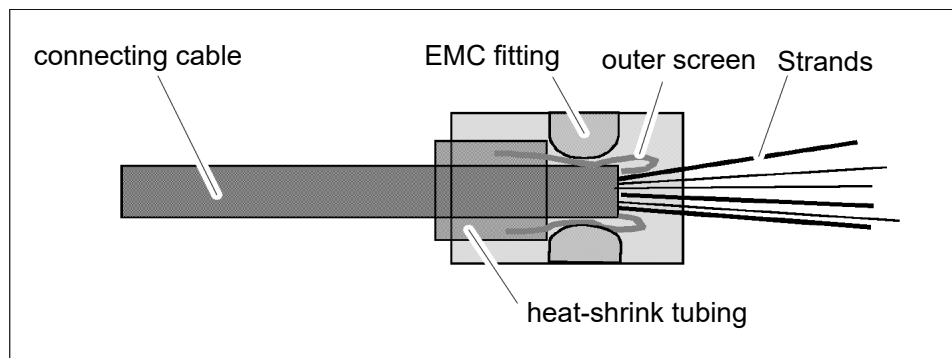
Risk of damaging the adapter board!

Fastening the screws too tightly can damage the adapter board.

- Only fix the screws in place on the adapter board.



1. Unfasten the screws (5) from the cover (4) of the connection cap (2) and remove the cover (4).
2. Unscrew the blind plugs (1) from the cover (4) or the connection cap (2).



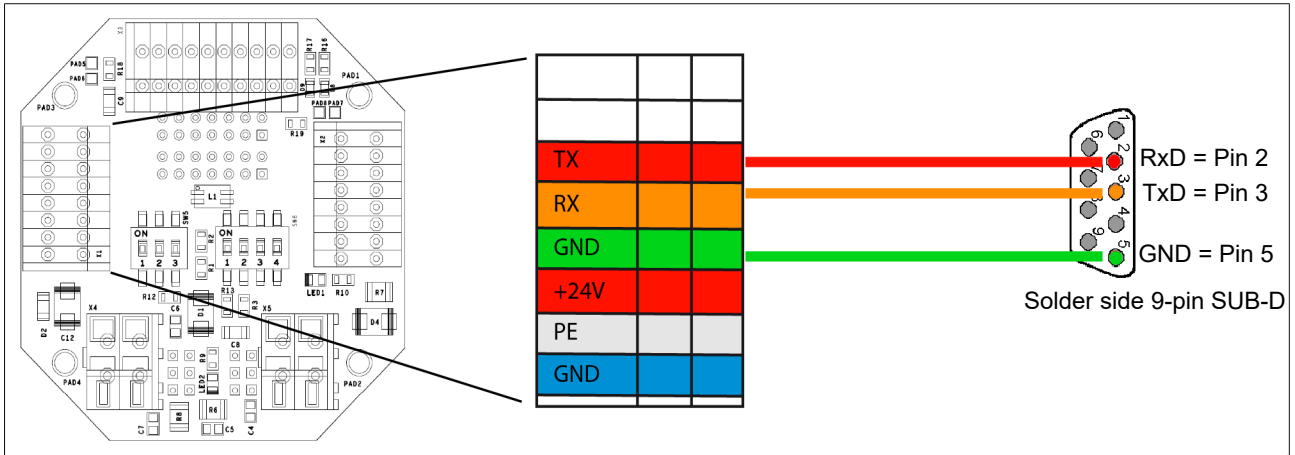
3. Pull the connection cable through the metric cable fitting (6).
4. Strip approx. 50 mm of insulation from the connection cable.
5. Strip approx. 5 mm of the individual wires.
6. Push the outer shielding of the connection cable back over the cable sheath.
7. Fix the shielding in place with shrink hose so that the shielding at the end of the sheath remains visible.
8. Pull the connection cable through the cover (4) or the connection cap (2) and connect it to the adapter board (3).
9. Pull the metric cable fitting (6) just far enough over the shrink hose so that the individual wires remain visible.
10. Screw the metric cable fitting (6) to the cover (4) or the connection cap (2).
11. Place the cover (4) on the connection cap (2) and screw it tight.

5.3.2 RS232 interface

The characteristics of the RS232 interface make it unsuitable for use as a field bus system.

NOTE

Use the RS232 interface only as a parameterization interface.

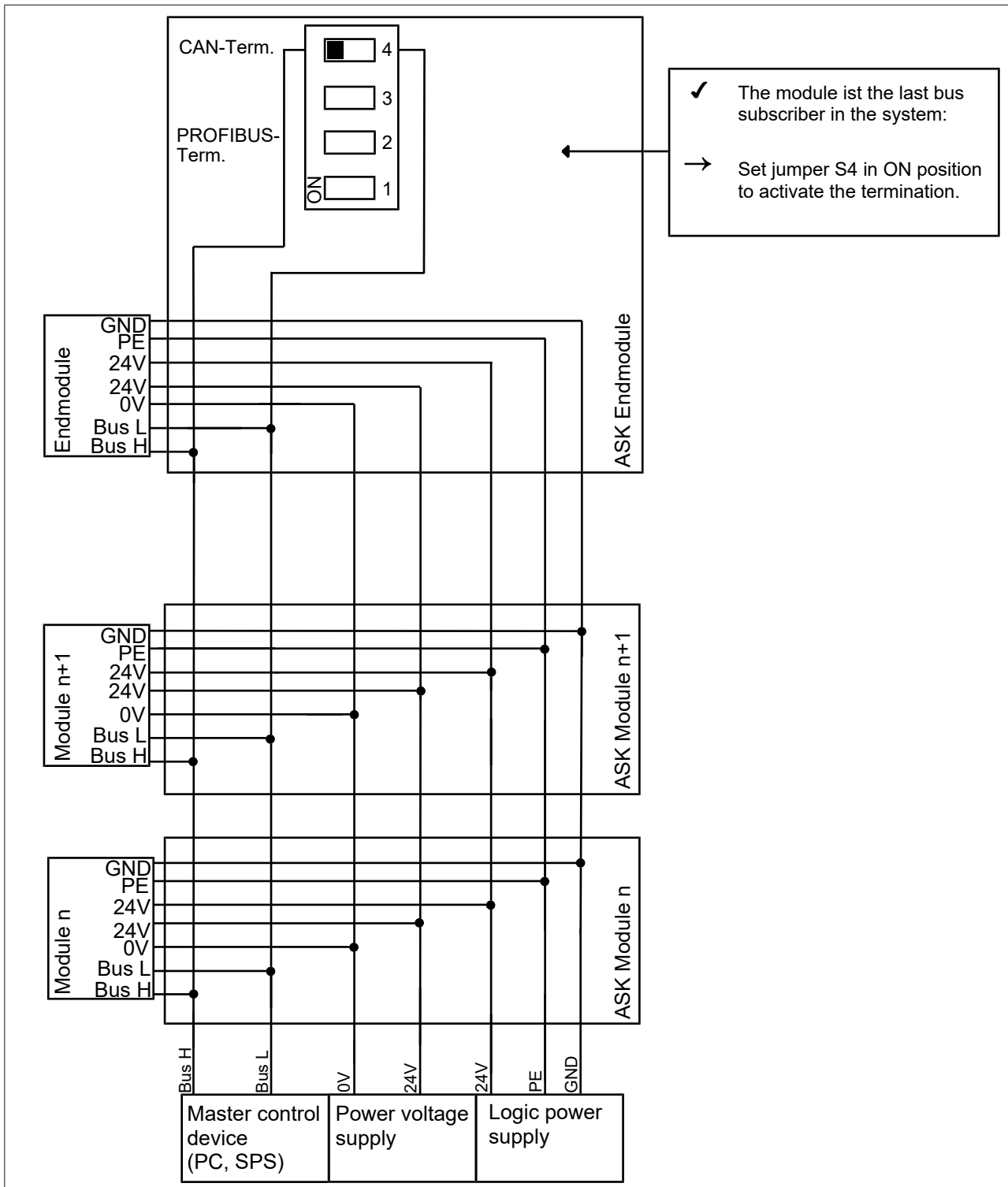


Connection board: Terminal strip X1 and connection to 9-pin SUB-D socket

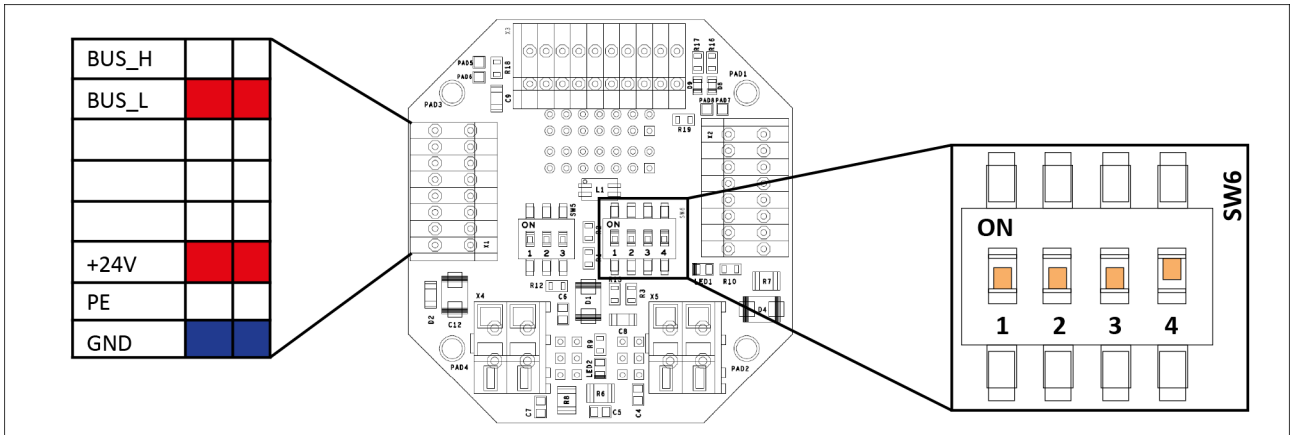
Tab.: Connection RS232: Assignment of terminal strip X1 and power supply

Connection	Terminal	SCHUNK cable color	Pin
RS232 interface	Tx	Red	2
	Rx	Orange	3
	GND (Rx/Tx)	Green (von Rx/Tx)	5
Logic connection	24V	Red	0.25 mm ²
	GND	Blue	0.25 mm ²
Output power supply	+UB	Red	2.5 mm ²
	-UB	Blue	2.5 mm ²

5.3.3 CAN interface



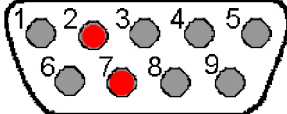
circuit diagram CAN



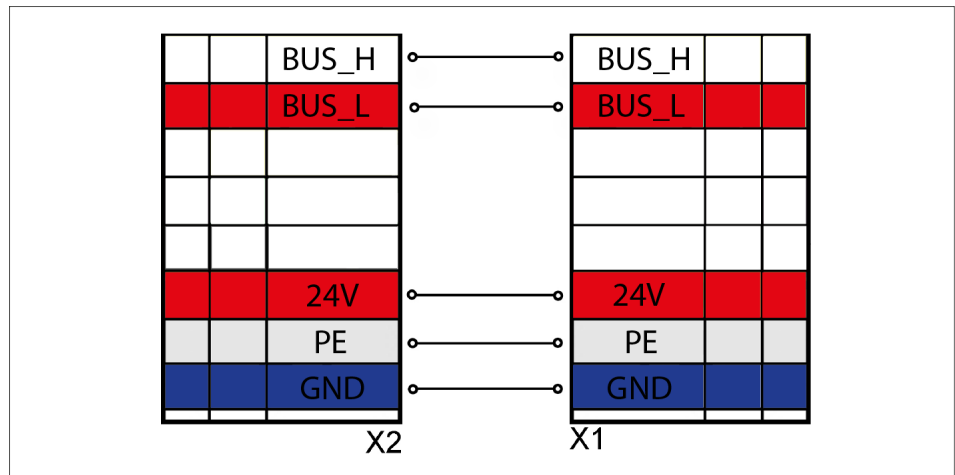
Adapter board: terminal strip X1 and switch for terminating resistor

Tab.: CAN connection: assignments of terminal strip X1 and the energy supply

Connection	Terminal	SCHUNK cable color	
CAN interface	Bus_H	White	
	Bus_L	Red	
	PE	Shield	
Logic connection	24V	Red	0.25 mm ²
	GND	Blue	0.25 mm ²
Power voltage supply	+UB	Red	2.5 mm ²
	-UB	Blue	2.5 mm ²

SUB D socket solder side	Pin	Terminal
	2	Bus_L
	7	Bus_H

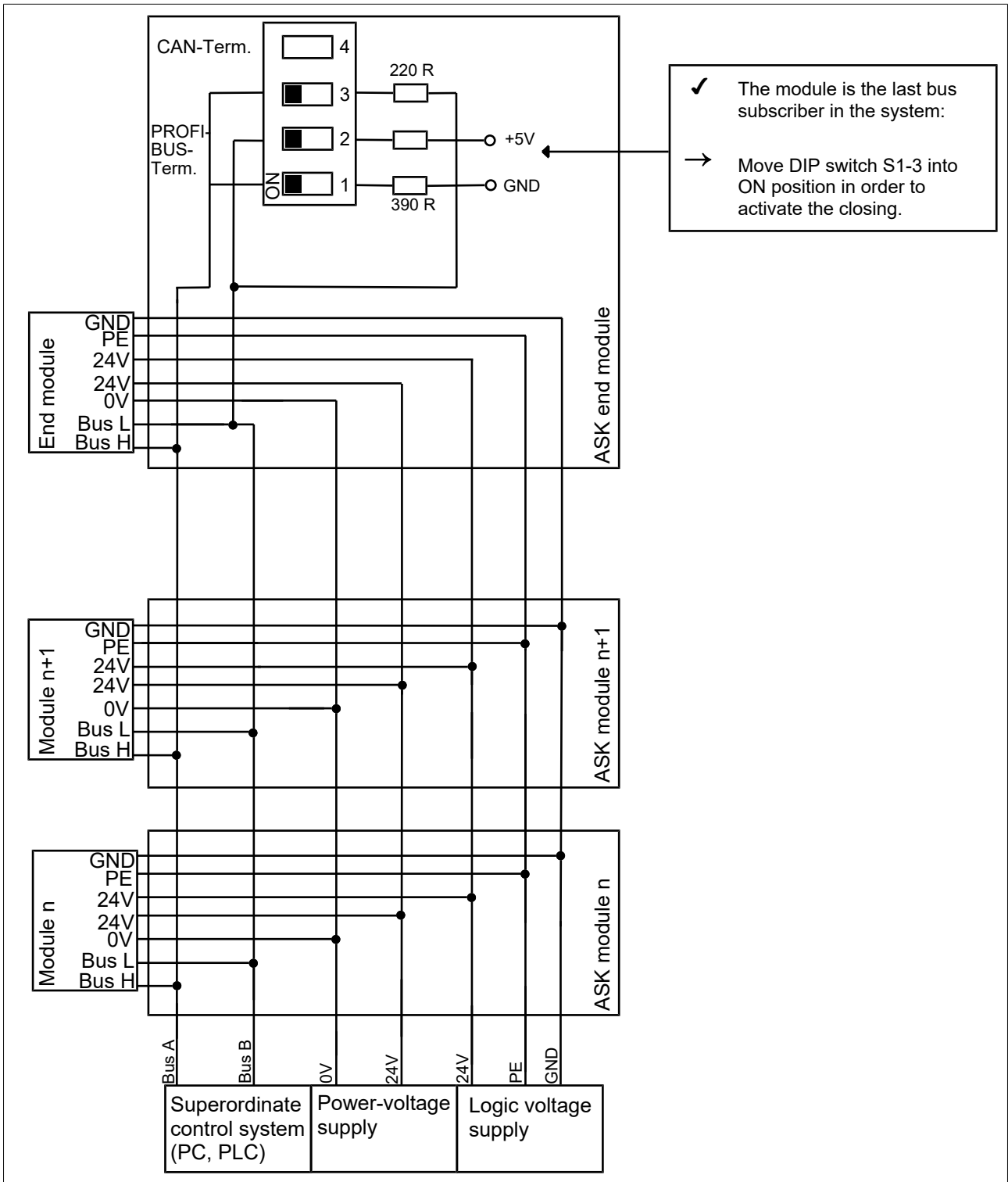
Combining several modules



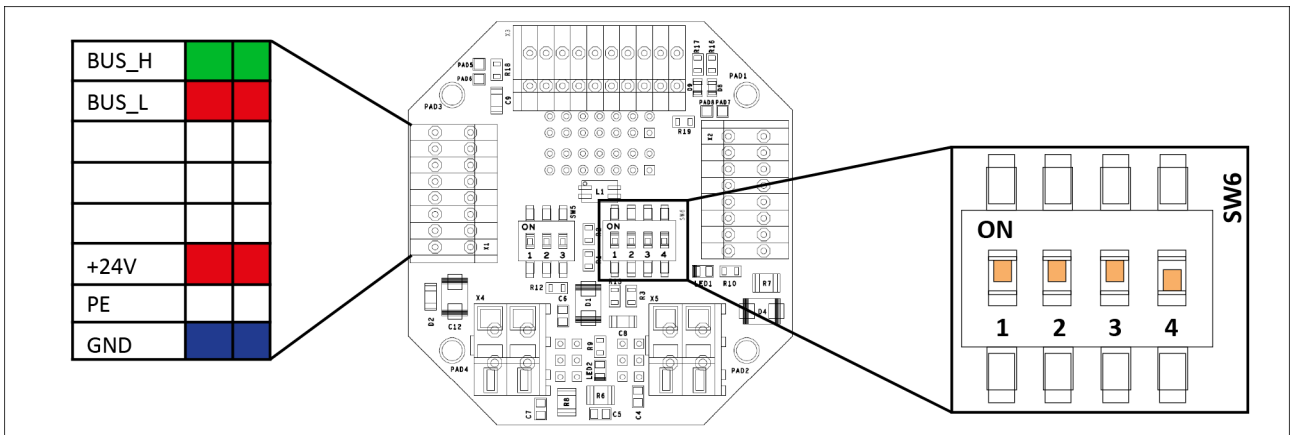
Combining module n with module n+1

When combining several modules, the signals from module n are looped through to module n+1. The wires from terminal X2 on module n are connected to terminal X1 on module n+1.

5.3.4 PROFIBUS DP interface



PROFIBUS DP circuit diagram



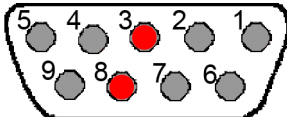
Connection board: Terminal strip X1 and jumper for termination

Tab.: PROFIBUS connection: Assignment of terminal strip X1 and the energy supply cable 1

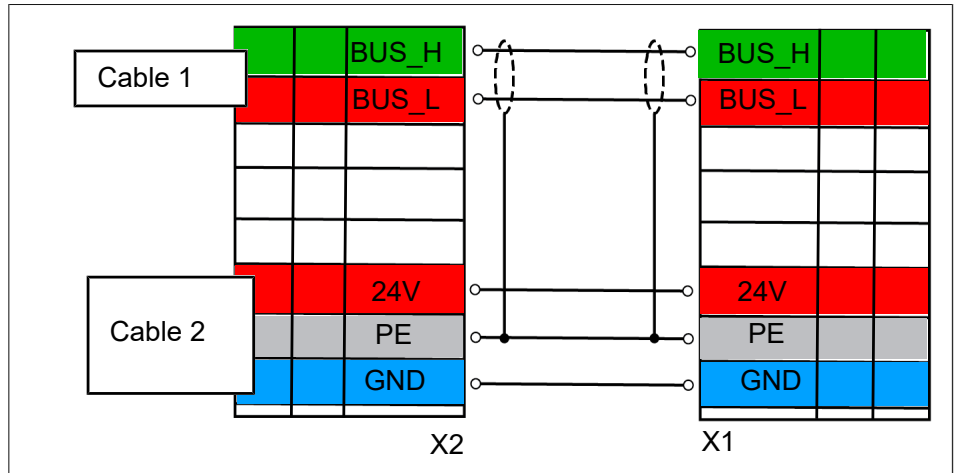
Connection	Terminal	SCHUNK cable color
PROFIBUS DP interface (cable 1)	Bus_H (Bus_A)	Green
	Bus_L (Bus_B)	Red
	PE	shield (of cable 1 & 2)

Tab.: PROFIBUS connection: Assignment of terminal strip X1 and the energy supply cable 2

Connection	Terminal	SCHUNK cable color	
Logic connection (cable 2)	24V	Red	0.25 mm ²
	GND	Blue	0.25 mm ²
Output power supply	+UB	Red	2.5 mm ²
	-UB	Blue	2.5 mm ²

SUB D socket solder sider	Pin	Terminal X1
	3	Bus_L (Bus_B)
	8	Bus_H (Bus_A)

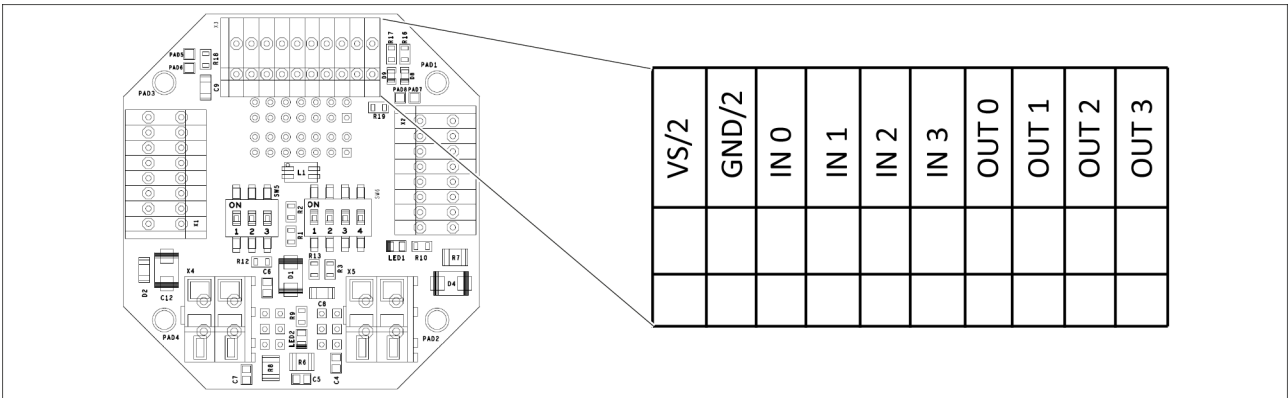
Combining several modules



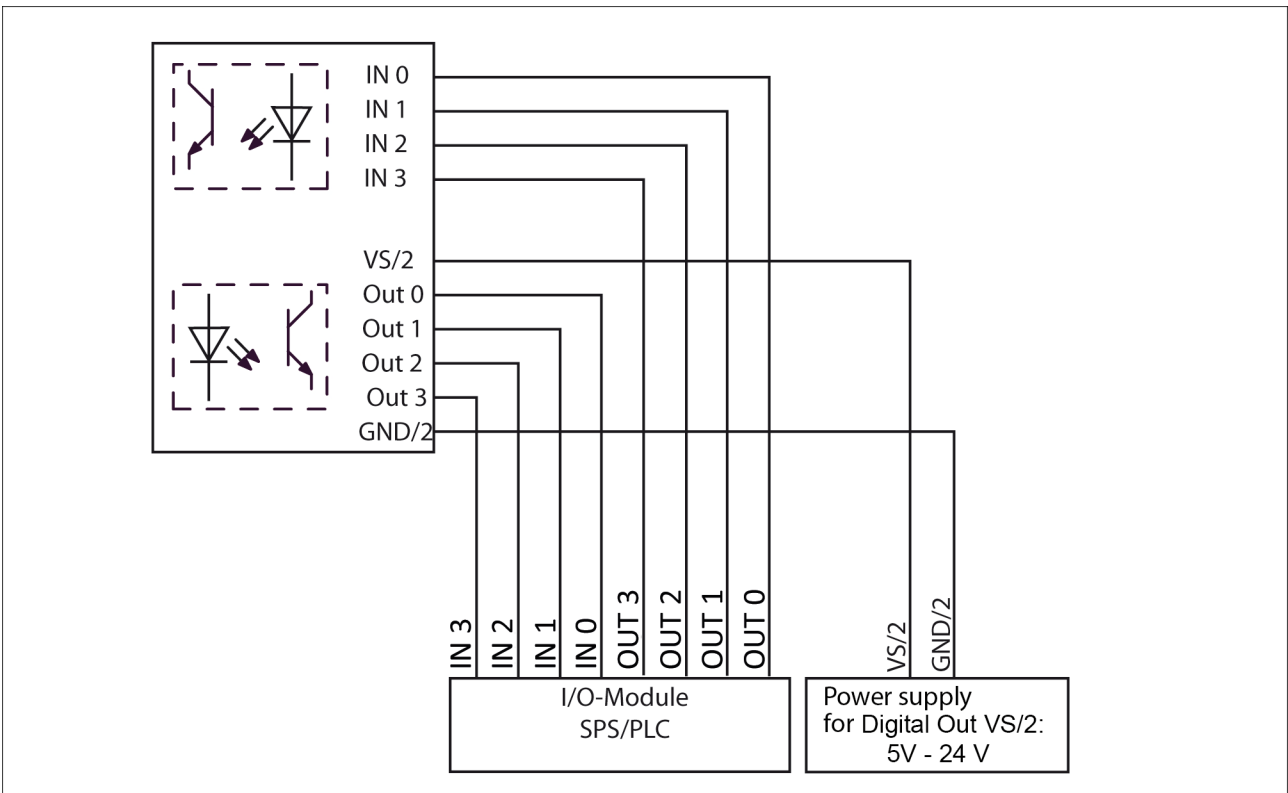
Combining module n with module n+1

When combining several modules, the signals from module n are looped through to module n+1. The wires from terminal X2 on module n are connected to terminal X1 on module n+1.

5.3.5 Electrical connection of the terminal strip X3



Connection board: terminal strip X3



Circuit diagram for digital inputs and outputs

Assignment of terminal strip X3

Tab.: In- and outputs

Designation	Application: Program	Application: Normal
IN0	Release / External reference switch (as of Firmware 1.20)	Digital input
IN1	Sentence selectionI	Digital input
IN2	Sentence selection	Digital input
IN3	Sentence selection	Digital input
OUT0	Reference (low active)	Digital output
OUT1	Error message (low active)	Digital output
OUT2	Depending on the configuration (low active) → Table below	Digital output
OUT3	Movement finished (low active)	Digital output

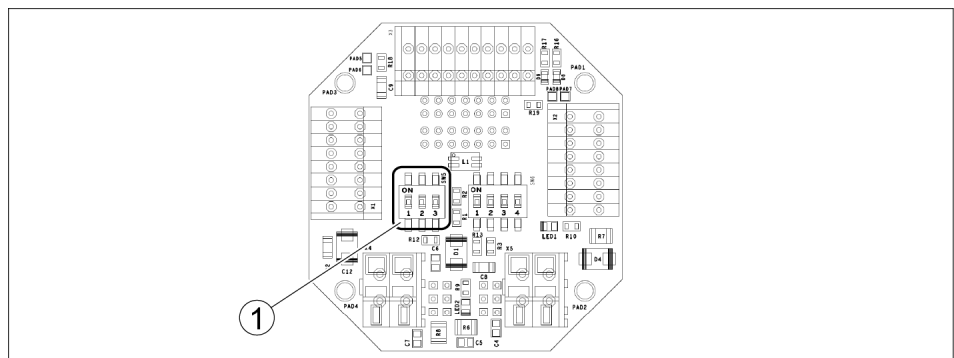
Tab.: Switching possibilities of the output OUT2 via MC-Demo (as of Firmware V1.22)

Set-up	Description
Normal	Digital output via CMD_DIO switchable
Status + movement	OUT2 reports, if the module is moving.
Status + position achieved	OUT2 reports, if the module achieved a position.
Status + brake	OUT2 reports the condition of the brake.
Status + warning	OUT2 reports, if a warning is pending.
Status + program run	OUT2 indicates, if the module is situated in a program run.

NOTE

Further information and usage options for terminal strip X3 can be found in "MotionToolSchunk" configuration tool, see DVD, Document: MotionToolSchunk.pdf.

5.3.6 DEFAULT and BOOT function



Adapter board

- 1 Boot/default switch (SW5)

Set product to factory settings

The product can be reset to factory settings using the DEFAULT function.

1. Disconnect the product from the voltage supply.
2. Switch DIP switch S2 (SW5) to "ON" position.
3. Connect the product to the voltage supply.
4. Switch DIP switch S2 (SW5) to "OFF" position.
5. Disconnect product from the voltage supply and reconnect again.

⇒ The product is now reset to its factory settings.

Loading new firmware to the product

NOTE

Software and firmware version must be attuned to one another.

Software-Boot

NOTE

For a firmware update via the menu item "Update firmware...", the BOOT function is not required.

For more information, see DVD, document "MotionToolSchunk".

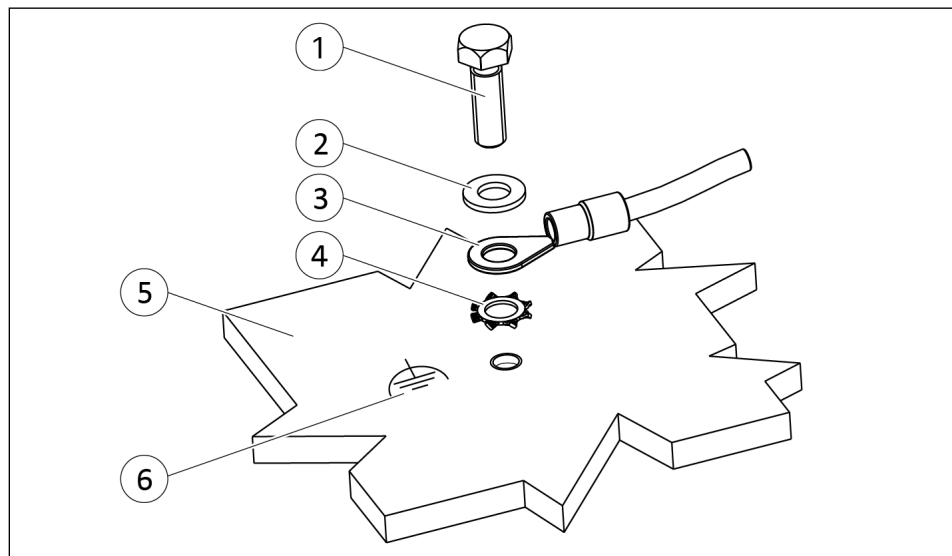
Hardware-Boot

The product can be described by the BOOT function via the menu item "Firmware administration" with new firmware.

1. Switch DIP switch S1 (SWS) to "ON" position.
2. Connect the product to the voltage supply.
 - ⇒ Product is in the B00T mode.
3. Transfer new firmware using the Motion Tool Schunk (MTS) to the product, see DVD, document "MotionToolSchunk".
4. Switch DIP switch S1 (SW5) to "OFF" position.
5. Disconnect product from the voltage supply and reconnect again.

⇒ New firmware is loaded on the product.

5.4 Connecting the ground cable (functional ground)



Ground connection

1	Screw *	4	Toothed lock washer
2	Washer	5	Product
3	Cable lug	6	Ground marking

*) Tightening torque: 5 Nm



A ground connection with a sufficient cross-section must be established between the product and the machine on the customer's premises.

Mount the ground cable (functional ground) on the threaded hole marked with the ground marking.

NOTE

Only connect the ground cable (functional ground) at the location intended for this purpose.

Always mount the ground cable individually. A green-yellow wire strand color is not permitted.

Always use all components to fasten the ground cable (functional ground) and install them in this order: toothed lock washer, cable lug, washer and screw. See "Ground connection" diagram. Observe the tightening torque.

5.5 Information on the compatibility of software and firmware versions

The "Motion Tool SCHUNK (MTS)" configuration and commissioning tool and the firmware are coordinated with each other. Only the combinations of "MTS" and firmware version listed in the

following table are compatible with each other. If other combinations are used, the product may end up in an undefined status during parameterization.

Compatibility of Firmware and Motion Tool SCHUNK (MTS)		
Firmware	1.5.5	1.6.0
MTS	from version 1.5.5	from version 1.6.0

The program version of the "Motion Tool SCHUNK (MTS)" is shown at the top of the program window.

The software version is displayed on the "General Information" tab under "Software Version".

The firmware version of the product can be found in the product window by choosing "Module" and then "Module Information".

6 Troubleshooting

6.1 Product can no longer be referenced

The product completes the referencing again. According to the referencing, the "not referenced" notification appears.

Possible cause	Corrective action
The "distance to the index" is exceeded.	Enlarge "distance to the index", see software handbook "Motion Control SCHUNK".

6.2 Product does not move

Possible cause	Corrective action
Communication not possible.	Check bus connection., ▶ 5.3 [30]

6.3 Product moves sluggishly or jerks

Possible cause	Corrective action
Dirt deposits in the cavities.	Clean cavities., ▶ 7.1 [46]

6.4 Motor does not turn

Possible cause	Corrective action
No voltage connected.	Check the power supply.
Insufficient voltage.	Check the power supply., ▶ 3 [21]

6.5 Product stops abruptly

If the supplied GSD file has been integrated, this can be reported by the module using the parameter **ERROR_CABLE_BREAK (0x76)**.

Possible cause	Corrective action
Bus cable fault (connection interrupted).	Check bus cable for damage and replace if necessary. Further troubleshooting, see document. <i>Motion Control</i> .

6.6 Motor rotates but does not move gripper

Possible cause	Corrective action
Fingers are mechanically jammed.	Check demands on eveness. ▶ 5.1 [28] Check whether the adapter plate is stepped (only in the case of lateral attachment).

6.7 Product does not execute a complete stroke

Possible cause	Corrective action
Dirt deposits between basic jaws and guidance.	Clean and if necessary re-lubricate.
Dirt deposits between cover plate and chuck piston.	Clean and if necessary re-lubricate.

6.8 The gripping force drops

Possible cause	Corrective action
Dirt deposits in the cavities.	Clean cavities., ▶ 7 [📄 46]
Dry running of the spindle.	Clean and lubricate product., ▶ 7 [📄 46]

6.9 Product opens or closes jerkily

Possible cause	Corrective action
Dirt deposits in the cavities.	Clean cavities. ▶ 7 [📄 46]
Dry running of the spindle.	Clean and lubricate product. ▶ 7 [📄 46]

7 Maintenance

7.1 Maintenance intervals

Size	70
Interval [Mio. cycles]	2
Travel and entire stroke [cycles]	1,000

The product conforms to protection class IP 54 when the DMI connection cap is mounted.

- Clean the product dry (do not use water or liquid cleaners); remove all coarse dirt and chips from the cavities in the product.
- Check for damage and replace the product if necessary.

Any repair work on the product may only be carried out by SCHUNK.

7.2 Measures for preserving the gripper's function

The maintenance and lubrication intervals must be adapted to the ambient and operating conditions.

Observe the following factors:

- Extreme operating temperatures
- The effects of condensation
- High vibration loading
- Use in a vacuum
- Very dynamic operation
- Permanent small stroke movements
- Influence of foreign substances (e.g. vapors or acids)

Preserving the gripper's function:

- Do not expose the gripper to drilling emulsion.
- Operate the gripper in an ambient temperature between +5°C and +55°C.
- Observe the bending radii when laying the cable. No torsional movements must occur.
- Since it is a servo system motor, it can generate the indicated forces only for a short term. These forces may overload the gripper and mechanically destroy it. Every overload leads to a decrease of the system's service life.

Do only operate the gripper within the scope of its technical data.

- Gripping force:

The repeat accuracy of the gripping force is $\pm 15\%$. The breakaway torque can vary significantly from gripper to gripper.

If an automatic gripper change shall be enabled, the breakaway torque must be determined during an initialization of the superior control.

For more information on the programming, see control manual.

7.3 Lubricants/greasing areas (basic lubrication)

During maintenance, treat all greased areas with lubricant. Thinly apply lubricant with a lint-free cloth.

SCHUNK recommends the lubricants listed.

Greasing area	Lubricant
---------------	-----------

Metallic sliding surfaces (linear guides)	
---	--

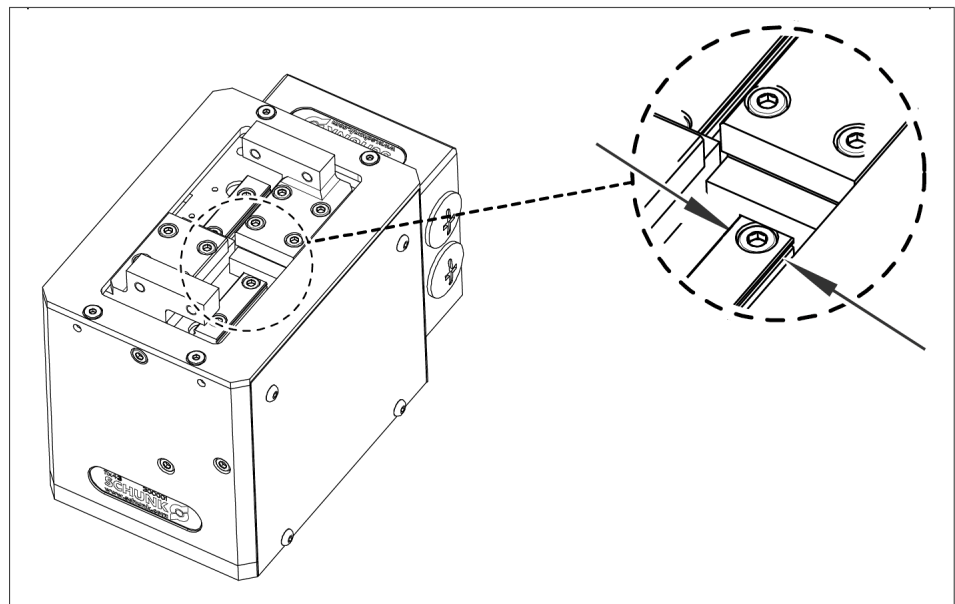
Details regarding SCHUNK lubricant designations are available at [schunk.com/lubricants](https://www.schunk.com/lubricants).

The product contains food-compliant lubricants as standard.

The requirements of standard EN 1672-2:2020 are not fully met.

NOTE

- Change contaminated food-compliant lubricant.
- Observe information in the safety data sheet from the lubricant manufacturer.



Greasing areas

1. Apply lubricant to the greasing area.
2. Spread out lubricant: Travel the entire stroke two to three times.

7.4 Disassembly and assembling

This product must not be disassembled for maintenance.

CAUTION

Material damage due to improper disassembly!

Incorrect works can cause damage to the mechanics and internal electronics.

- Disassembly or opening of the product is not permitted.
 - Only allow SCHUNK to repair the product.
-

8 Translation of the original declaration of incorporation

in terms of the Directive 2006/42/EG, Annex II, Part 1 Section B.

Manufacturer/
Distributor SCHUNK SE & Co. KG
Spanntechnik | Greiftechnik | Automatisierungstechnik
Bahnhofstr. 106 – 134
D-74348 Lauffen/Neckar

We hereby declare that the partly completed machine described below

Product designation: Universal gripper / PG 70/electric
ID number 0306095

meets the following basic occupational health and safety of the Machinery Directive 2006/42/EC:

No. 1.1.1, No. 1.1.2, No. 1.1.3, No. 1.1.5, No. 1.3.2, No. 1.5.1, No. 1.5.2; No. 1.5.4, No. 1.5.6, No. 1.5.8, No. 1.5.10, No. 1.5.11, No. 1.5.13

The partly completed machinery may not be put into operation until it has been confirmed that the machine into which the partly completed machinery is to be installed complies with the provisions of the Machinery Directive (2006/42/EC). The declaration shall be rendered invalid if modifications are made to the product.

Applied harmonized standards, especially:

EN ISO 12100:2010 Safety of machinery – General principles for design –
Risk assessment and risk reduction

The special technical documentation according to Annex VII, Part B, belonging to the partly completed machine, has been created.

Person authorized to compile the technical documentation:
Stefanie Walter, Address: see manufacturer's address

Signature: see original declaration

Lauffen/Neckar, March 2024

Dr.-Ing. Manuel Baumeister,
Head of Systems Engineering,
Technology & Innovation

10 Information on the RoHS Directive, REACH Regulation and Substances of Very High Concern (SVHC)

RoHS Directive

SCHUNK products are classified as "large-scale stationary installations" or as "large-scale stationary industrial tools" within the meaning of Directive 2011/65/EU and its extension 2015/863/EU "on the restriction of the use of certain hazardous substances in electrical and electronic equipment (RoHS)", or fulfill their intended function only as part of one. Therefore products from SCHUNK do not fall within the scope of the directive at this time.

REACH Regulation

Products from SCHUNK fully comply with the regulations of Regulation (EC) No. 1907/2006 "concerning the Registration, Evaluation, Authorization and Restriction of Chemicals (REACH)" and its amendment 2022/477. SCHUNK attaches great importance to completely avoiding chemicals of concern to humans and the environment wherever possible.

Only in rare exceptional cases do SCHUNK products contain SVHC substances on the candidate list with a mass content above 0.1%. In accordance with Article. 33 (1) of Regulation (EC) No. 1907/2006, SCHUNK complies with its duty to "communicate information on substances in articles" and lists the components concerned and the substances used in an overview that can be viewed at schunk.com/SVHC.

Signature: see original declaration

Lauffen/Neckar, March 2024

Dr.-Ing. Manuel Baumeister,
Head of Systems Engineering,
Technology & Innovation



SCHUNK SE & Co. KG
Spanntechnik | Greiftechnik | Automatisierungstechnik

Bahnhofstr. 106 - 134
D-74348 Lauffen/Neckar
Tel. +49-7133-103-0
info@de.schunk.com
schunk.com

Folgen Sie uns | *Follow us*



Wir drucken nachhaltig | *We print sustainable*