



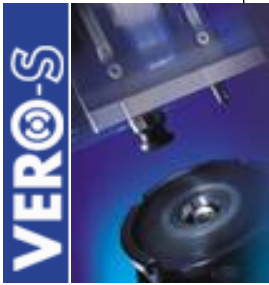
KONTEC KSK

Centric Clamping Visas

Superior Clamping and Gripping



KONTEC KSK



KONTEC KSK



KONTEC KSK



Centric clamping vise KSK

Small and compact, with a large clamping range!

With its specially developed slide geometry, the KSK is the first fully encapsulated centric clamping vise.



Features

- 100% encapsulation

The enclosed slide geometry, i. e. 100% encapsulation, saves unnecessary time spent cleaning during usage. Used for machining unfinished and finished parts.

- 5-axis machining

The geometry of the KSK's 5A jaws enables optimal access for tools during machining.

- for clamping of big, small, circular parts

The KSK's modular jaw changing system allows a high level of versatility during machining. The KSK provides flexibility in case of specific requirements.

KONTEC KSK



Technical highlights

100 % encapsulation

- enclosed slide geometry
- less time spent cleaning
- low level of wear thanks to enclosed design
- no jamming of chips in spindles
- no malfunctions



KONTEC KSK



Technical highlights

Compact and precise

- compact design
- extra long guidance of chuck jaw
- less lifting of workpieces
- clamping of unfinished and finished parts
- high clamping force: 20 kN (30 kN with KSK 100)



KONTEC KSK



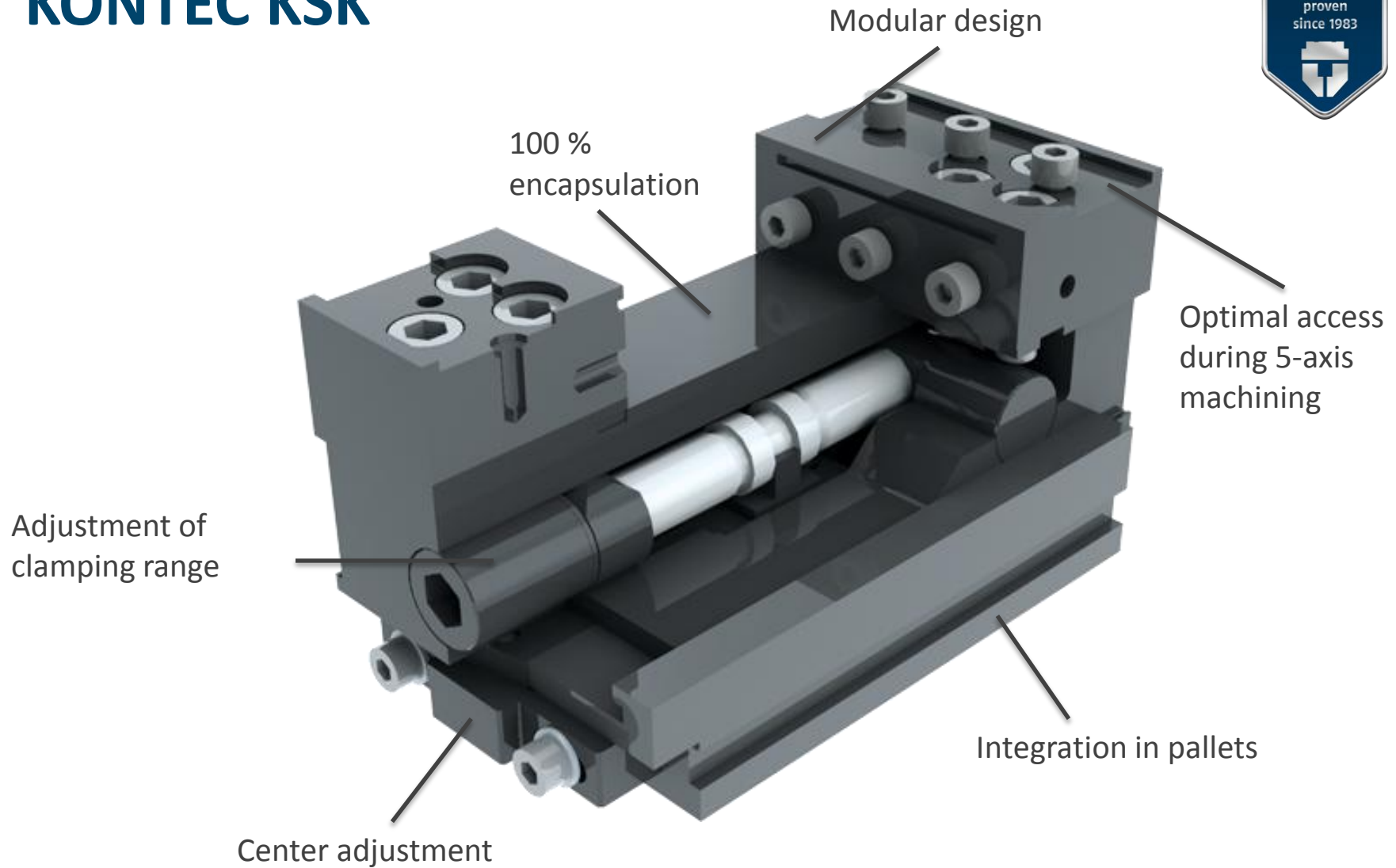
Technical highlights

Clamping system for individual solutions

- clamping system for automation
- can be integrated directly into pallets
- centric multiple clamping on base plates or tombstones
- low-cost solution for pallet stackers
- integration in a wide range of automated change pallets
- low-cost automation solution



KONTEC KSK

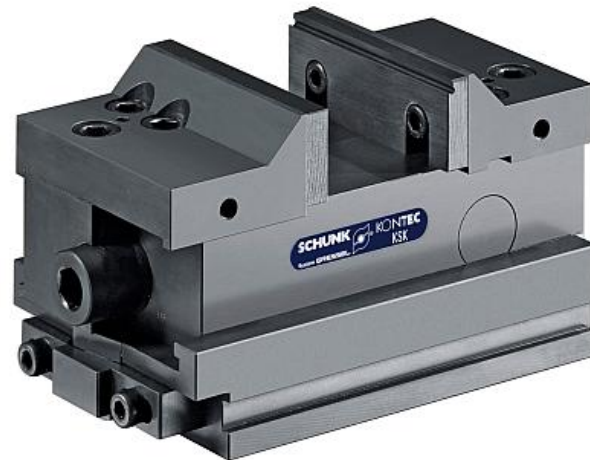


KONTEC KSK



Function

KSK small part centric clamping vise with enclosed slide geometry. Force is initiated by purely mechanical means and realized via a left-hand and right-hand thread which can be operated on both sides. Both jaws and slide close/open synchronously. Centric clamping against the inside and against the outside are both possible. The KSK is designed for centric clamping of unfinished parts and machined workpieces. Center position can only be set with the KSK 100 clamping vise by loosening three screws on the bottom.



KONTEC KSK



Modular system



KSK Standard



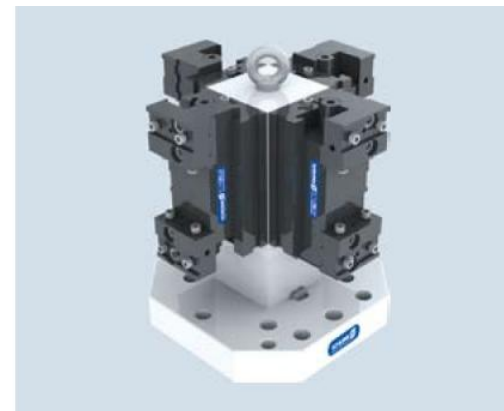
KSK 5A



KSK IP-WSP



KSK 5A IP-WSP



KSK 4V

KONTEC KSK



KSK 65 / 100



KSK centric clamping vise standard version

Scope of delivery

- KSK 65 / 100, each without top jaws
- Incl. 8 screws for top jaws

KSK 5A 65 / 100



KSK centric clamping vise 5-axis version

Scope of delivery

- KSK 5A 65 / 100, each without top jaws
- Incl. 8 screws for top jaws

KSK IP-WSP 65 / 100



KSK centric clamping vise on a pallet for SCHUNK workpiece storage unit

Scope of delivery

- KSK IP-WSP 65 / 100, each without top jaws
- Incl. 8 screws for top jaws
- Incl. 1 pull-back bolt VERO-S type SPA 40RF, 2 pins

KSK 5A IP-WSP 65 / 100



KSK centric clamping vise 5-axis version on a pallet for SCHUNK workpiece storage unit

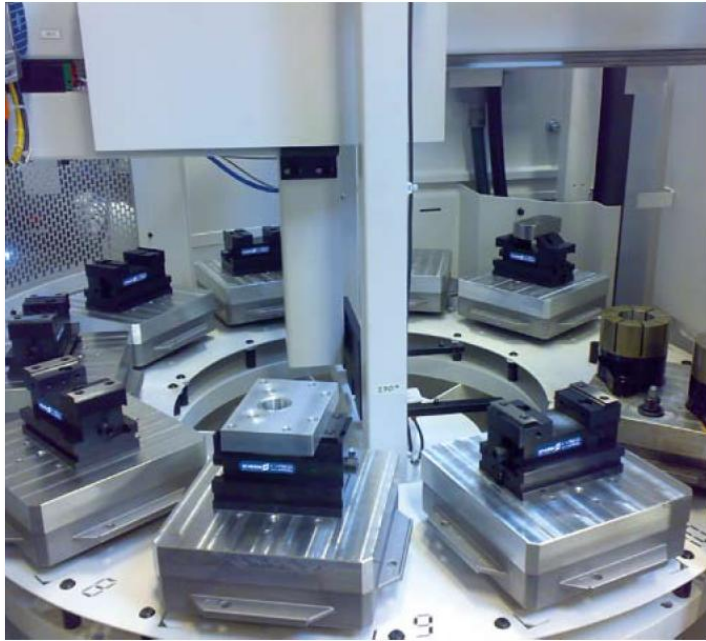
Scope of delivery

- KSK 5A IP-WSP 65 / 100, each without top jaws
- Incl. 8 screws for top jaws
- Incl. 1 pull-back bolt VERO-S type SPA 40RF, 2 pins

KONTEC KSK



Application examples



KSK 65



KSK 5A IP 65

KONTEC KSK

Application examples



KSK IP 65

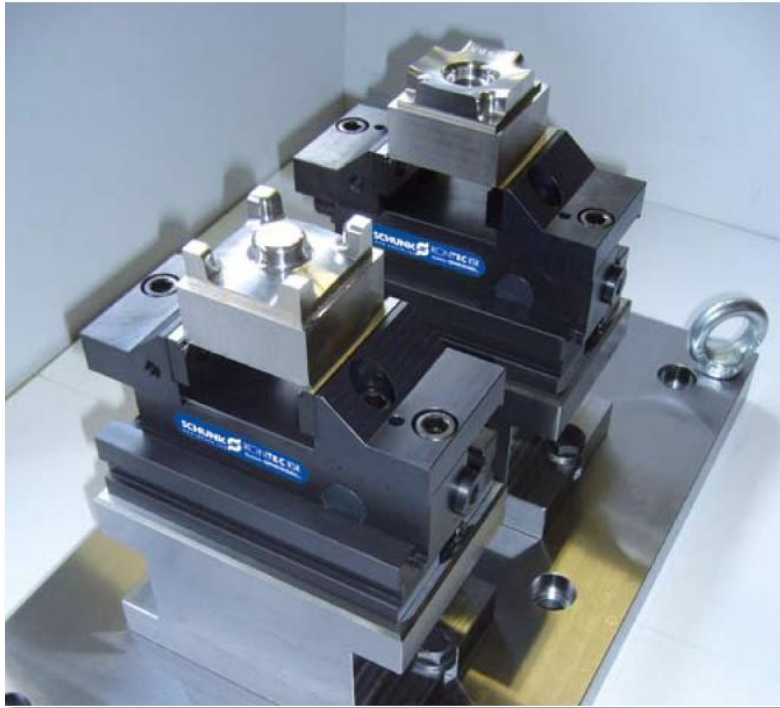


KSK 100

KONTEC KSK



Application examples

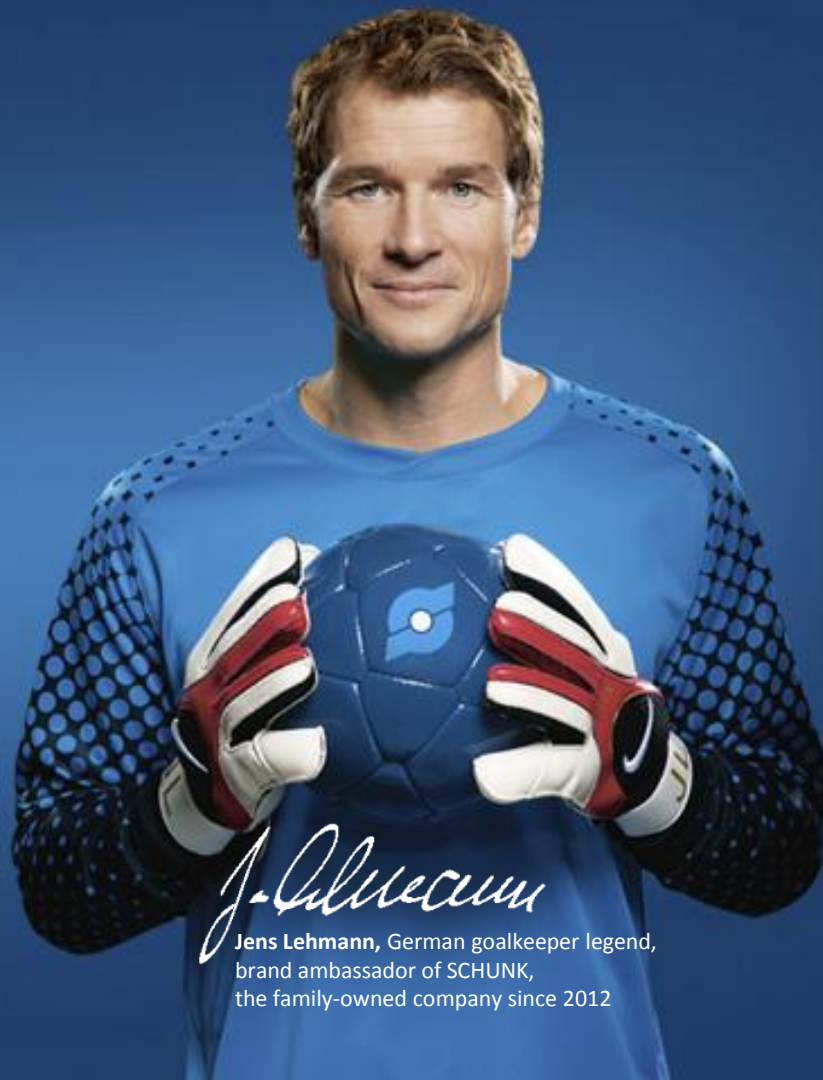


KSK 5A 65



KSK 100

Superior Clamping and Gripping



J. Lehmann

Jens Lehmann, German goalkeeper legend,
brand ambassador of SCHUNK,
the family-owned company since 2012



www.schunk.com