

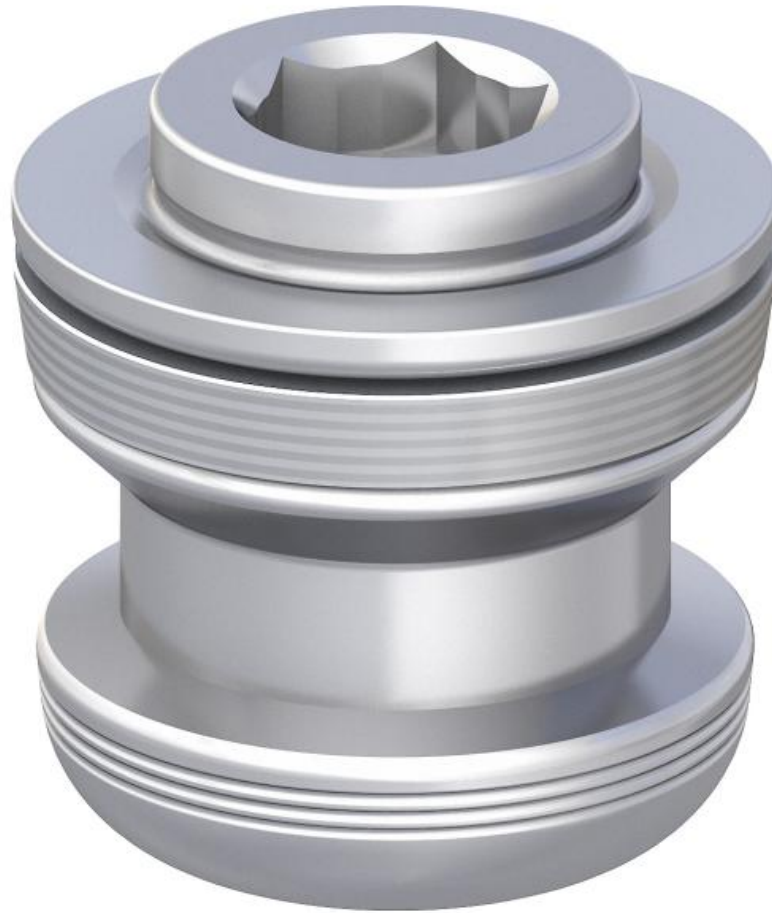


Superior Clamping and Gripping

VERO-S SPG 40

Clamping pin for challenging positioning tasks

VERO-S SPG 40



VERO-S SPG 40

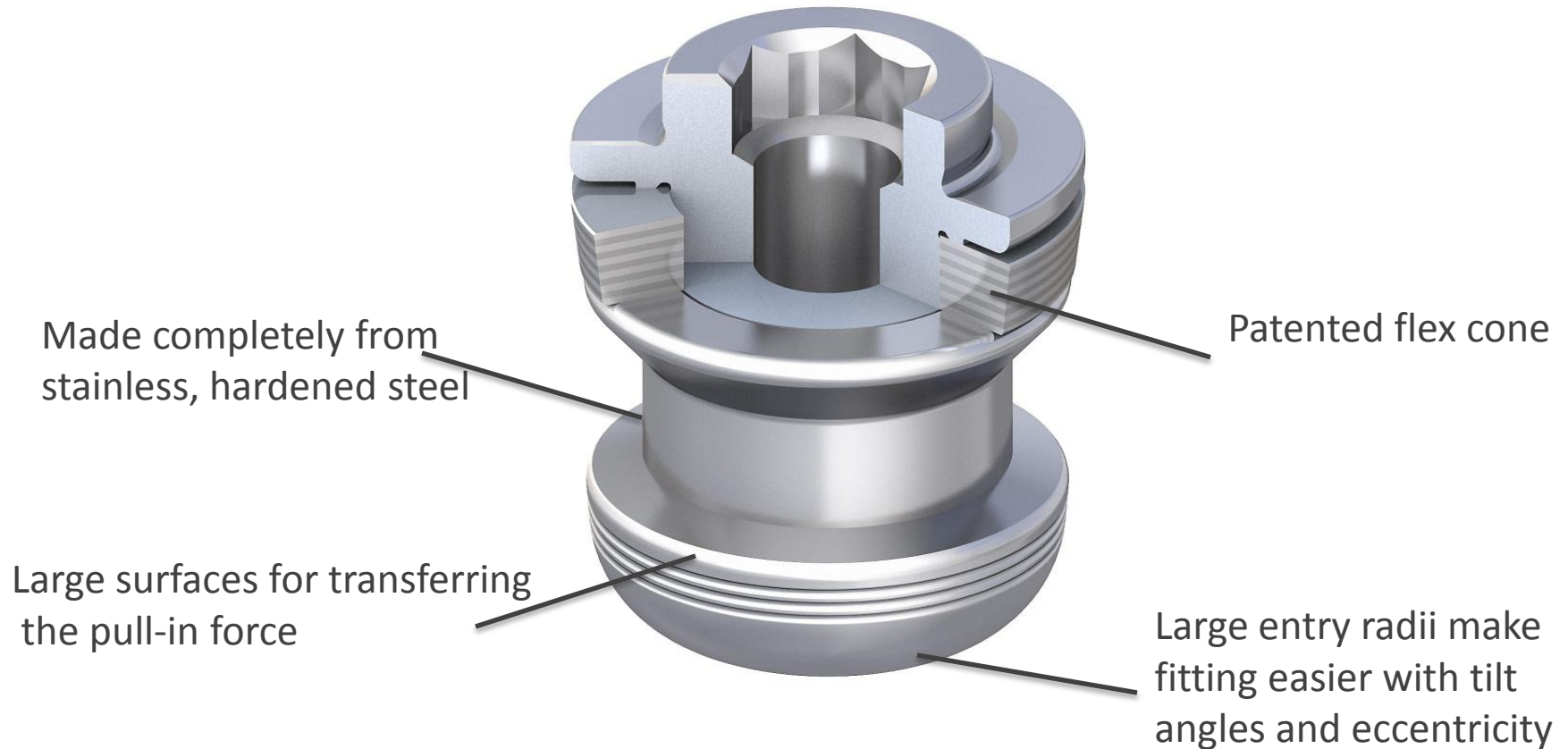
Clamping pin for challenging positioning tasks

- long-term high precision
- compatible with all VERO-S NSE plus quick-change pallet modules
- no redundancy due to patented flex cone
- designed completely in stainless steel
- permanently high repeat accuracy < 0,002 mm
- all thermal changes balanced without moving the zero point
- optimal precision through completely scope-free positioning
- system zero point remains in the system center



VERO-S SPG 40

Price: € 160,00 / piece



Superior Clamping and Gripping



www.schunk.com