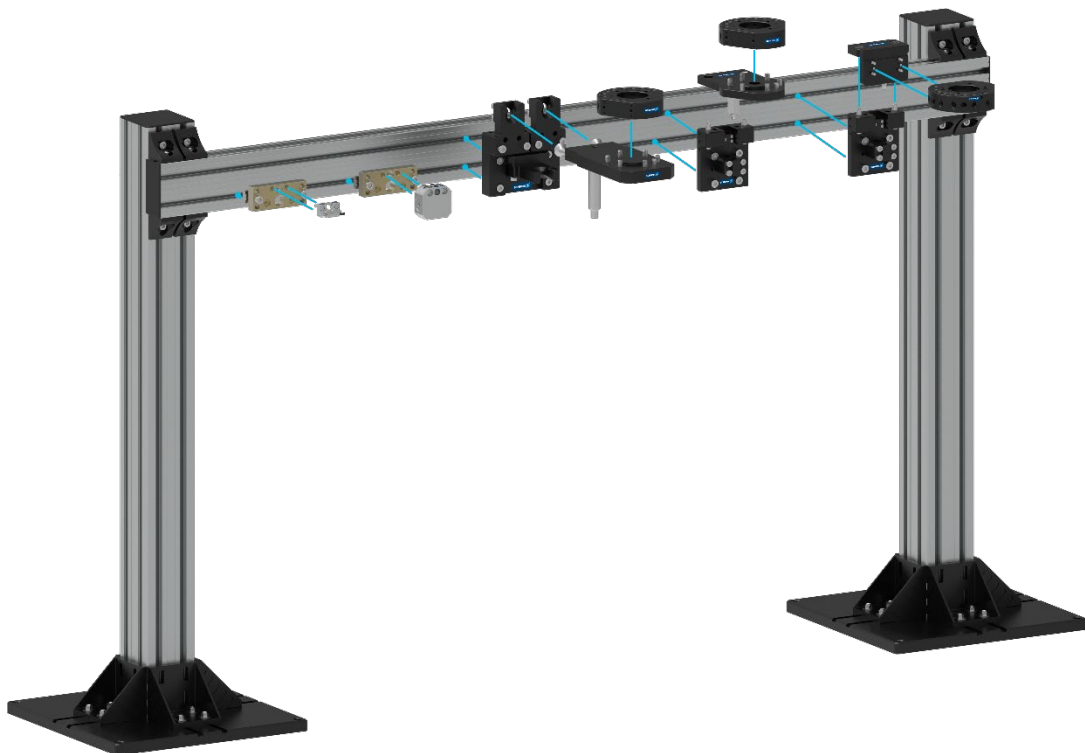
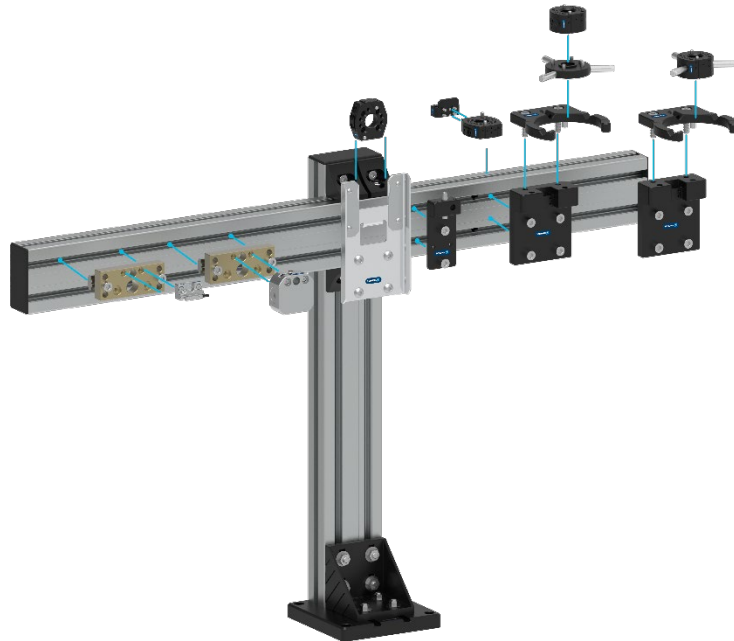


## Storage Racks SWM

Modular Storage Rack for Quick-change systems

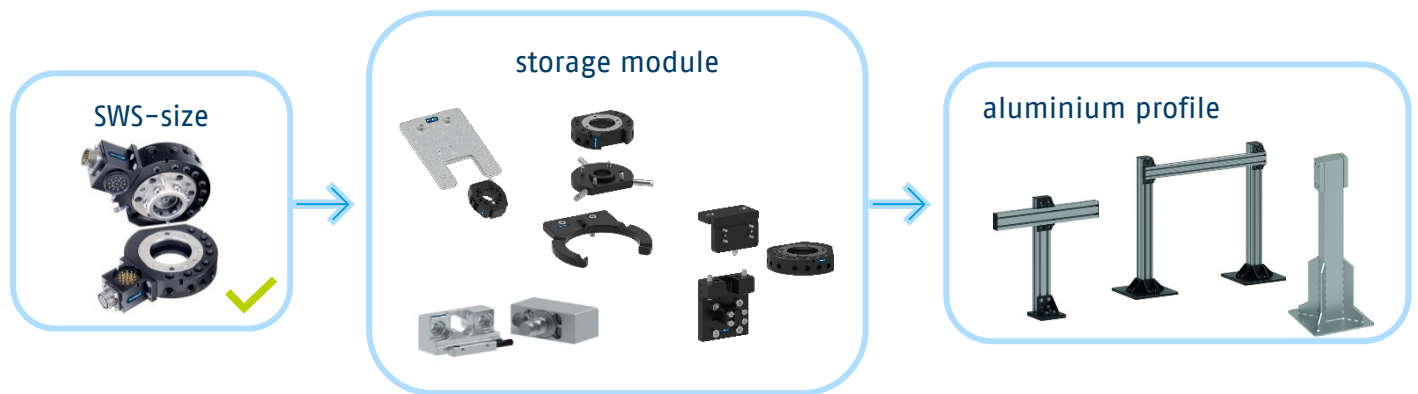


## Overview Storage Racks SWM

The SCHUNK storage racks SWM are perfectly suitable for SCHUNK Quick change systems and offer stability, flexibility and long service life.

The modularity of the storage module, intermediate plates, stand profiles and sensor system enables the compact assembly of a complete package tailored to customer-specific requirements. The SWM depositing systems are ideally suited for applications where short changeover times between robot and mold are important.

If you have already found the right changing system for your application, you will find an overview of our depositing modules for your system on the following page. You will find the matching stand profiles following the storage modules.



### Your benefits

**Modular system** allows flexible, application-specific setup

**Repeatability** through multiple support points for precise positioning

**Stainless, hardened support points** for long service life

**Optional sensors** for presence control

**Standardized intermediate plates** available for all sizes

**Aluminum profiles or stable welded construction** as mounting option



## Storage Racks SWM

Storage tray



Pin & Rack



SWM-B/ SWM-B-V



Pin & Bushing



		SWS-size																	
		001	005	007	011	020	021	022	029	040	041	046	060	071	076	110	160	210	310
Storage modul	Storage tray	X		X															
	Pin & Rack		X		X	X	X												
	SWM-B		X	X	X	X	X	X	X	X	X	X	X	X	X				
	Pin & Bushing					X	X	X	X	X	X	X	X	X	X	X	X	X	X

## Overview

- Storage tray..... 4**
  - Storage tray up to 1,4kg payload.....4
  - Storage tray up to 16kg payload.....4
- Pin & Rack ..... 5**
  - Pin & Rack up to 16kg payload .....6
  - Pin & Rack up to 25kg payload .....6
- SWM-B..... 7**
  - SWM-B 50/ SWM-B 50-V up to 16kg payload .....8
  - SWM-B 085/ SWM-B 085-V up to 100kg payload .....9
- Pin & Bushing ..... 12**
  - Pin & Bushing up to 50kg payload .....13
  - Pin & Bushing up to 150kg payload .....14
  - Pin & Bushing up to 510kg payload .....14

## Storage tray

This storage system is characterized by variable mounting of the storage tray. It can be mounted horizontal as well as vertical or lateral on a horizontal profile.

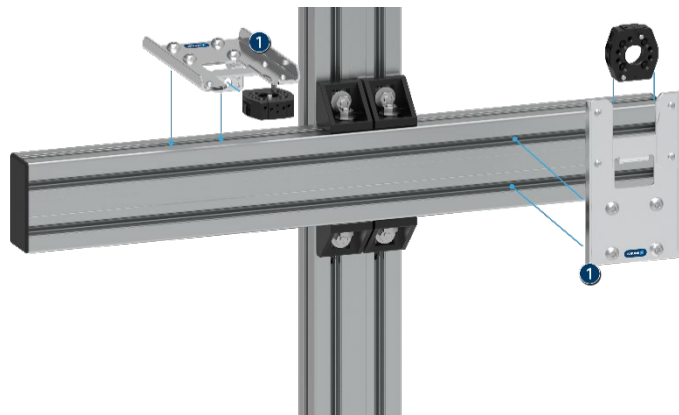
The number of tools can be chosen as needed.

To place the SWA in the storage tray the slot provided in the SWA is guided onto the tray and held in the storage position by a locking device.



**Note:** The center of gravity of the tool should be as central as possible for this type of storage. For more information look up catalog chapter SWS-007.

### Mounting example:



### Storage tray up to 1,4kg payload

SWS 001		
	Ident.-Nr.	Description
① Storage module	303276	SWM-TSS-MM-7869
② Sensor	303277	SWM-SMA-7869 NHS FÜR ABLAGE SWS-001

### Storage tray up to 16kg payload

SWS 007		
	Ident.-Nr.	Description
① Storage module	1459976	SWM-TSS-MMS-11345
② Sensor		

## Pin & Rack

At the Pin & Rack system the tool is placed into the storage from above. Therefore, the storage bolts are positioned in grooves at intended positions.

Via the position adapter up to five tools can be placed onto a vertical profile.

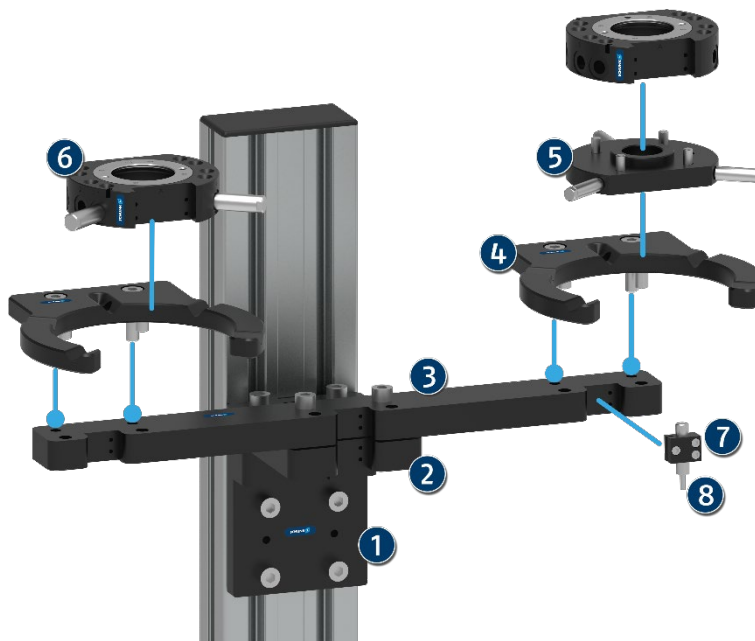
With the extension adapter the distance to the vertical profile can be extended. Thereby extensive tools can be stored.

The screw-on pattern of the SWA is already integrated in the intermediate plate and can therefore be easily mounted.

Optionally, the tool-presence can be monitored by an inductive proximity switch.



### Mounting example:



## Pin & Rack up to 16kg payload

		SWS 005		SWS 011	
		Ident.-Nr.	Description	Ident.-Nr.	Description
①	Mounting block	302582	SWM-TSS-3306	302582	SWM-TSS-3306
②	Extension adapter	302585	SWM-TSS-3361	302585	SWM-TSS-3361
③	3-positions-adapter	302583	SWM-TSS-3308	302583	SWM-TSS-3308
	4-positions-adapter	302587	SWM-TSS-3431	302587	SWM-TSS-3431
	5-positions-adapter	302591	SWM-TSS-3570	302591	SWM-TSS-3570
④	Storage modul (intermediate plate)	302571	SWM-TSS-3310	302571	SWM-TSS-3310
	Storage plate for storage bolt	302573	SWM-TSS-3312		
⑤	Intermediate plate blank*	302575	SWM-TSS-3314	302575	SWM-TSS-3314
⑥	Storage bolt	302577	SWM-TSS-M5-3303	302577	SWM-TSS-M5-3303
			Quantity needed		3 pcs
⑦	Sensor bracket	302584	SWM-TSS-3315	302584	SWM-TSS-3315
⑧	Inductive proximity switch***	301578	IN 80-S-M12	301578	IN 80-S-M12

## Pin & Rack up to 25kg payload

		SWS 020		SWS 021	
		Ident.-Nr.	Description	Ident.-Nr.	Description
①	Mounting block	302582	SWM-TSS-3306	302582	SWM-TSS-3306
②	Extension adapter	302585	SWM-TSS-3361	302585	SWM-TSS-3361
③	3-positions-adapter	302583	SWM-TSS-3308	302583	SWM-TSS-3308
	4-positions-adapter	302587	SWM-TSS-3431	302587	SWM-TSS-3431
	5-positions-adapter	302591	SWM-TSS-3570	302591	SWM-TSS-3570
④	Storage modul (intermediate plate)	302572	SWM-TSS-3313	302572	SWM-TSS-3313
⑤	Intermediate plate blank*	302576	SWM-TSS-3319	302576**	SWM-TSS-3319
⑥	Sensor bracket	302584	SWM-TSS-3315	302584	SWM-TSS-3315
⑦	Inductive proximity switch***	301578	IN 80-S-M12	301578	IN 80-S-M12

\* Support bolt included in scope of delivery

\*\* no module can be mounted on side B

\*\*\*optional: cable for proximity switch 0301503 KA BW12-L 3P-0300-PNP

## SWM-B

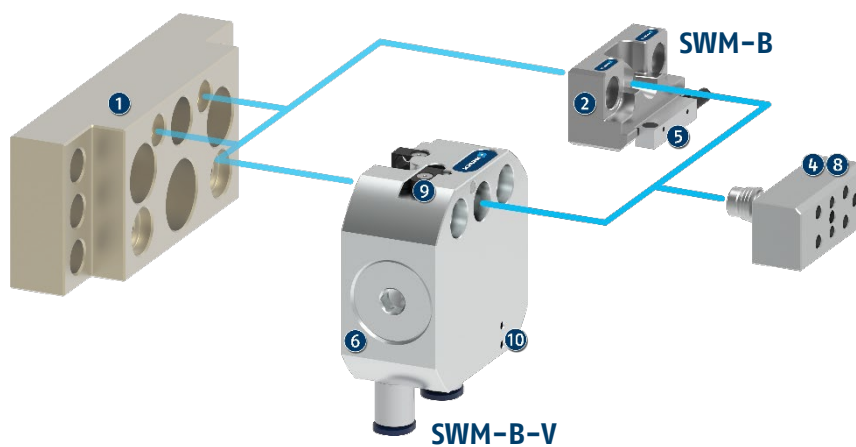
The advantage of the SWM-B is its compact design, with minimal interference contour and high compatibility between variants.

To deposit a tool, the robot inserts the tool into the deposit gate of the deposit module.

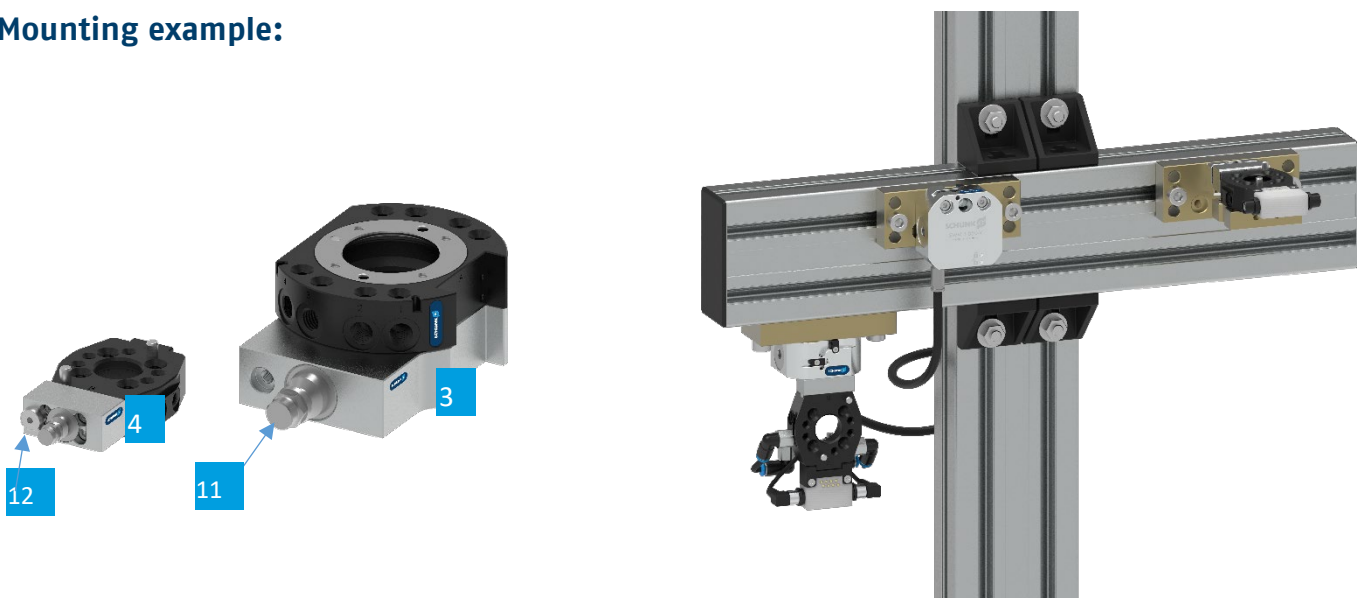
In the passive variant of the SWM-B (without locking), the tool is deposited securely in a predefined orientation by its own weight as well as an anti-rotation device and is particularly suitable for simple, cost-sensitive applications.

In the active variant SWM-B-V (with locking), the tool is locked by a movable, spring-loaded and self-locking clamping slide and secured by an anti-rotation device. This ensures maximum safety and flexibility in the position of the deposit.

A sensor interrogation for tool presence and locking is optionally available.



### Mounting example:



**Note:** The „intermediate plate sideways“ (4,8) is attached to the J screw-on surface of the quick-change-adaptor SWA. The „intermediate plate below“ (3,7) is attached under the SWA.

## SWM-B 50/ SWM-B 50-V up to 16kg payload

	SWS 005		SWS 007	
	Ident.-Nr.	Description	Ident.-Nr.	Description
① Mounting plate *	1489443	Mounting plate SWM-B	1489443	Mounting plate SWM-B
Mounting plate universal***	1547060	Mounting plate SWM-B universal	1547060	Mounting plate SWM-B universal
<b>SWM-B 085</b>				
② SWM-B 050	1459336	SWM-B 050	1459336	SWM-B 050
③ Intermediate plate below	1523807	A-SWA-005/011-SWM-B 050		
④ Intermediate plate side			1523812	A-SWA-007-SWM-B 050
⑤ Tool presence query SWM-B	0301469	IN 5-S-M8	0301469	IN 5-S-M8
<b>SWM-B 085-V</b>				
⑥ SWM-B 050-V	1442568	SWM-B 050-V	1442568	SWM-B 050-V
⑦ Intermediate plate below	1523840	A-SWA-005/011-SWM-B 050-V		
⑧ Intermediate plate side			1523842	A-SWA-007-SWM-B 050-V
⑨ Tool presence query SWM-B	1523878	AS-SWM-B-V-IN30K-T	1523878	AS-SWM-B-V-IN30K-T
⑩ Interlocking query SWM-B-V	1523876	AS-SWM-B-V-IN30K-L	1523876	AS-SWM-B-V-IN30K-L
<b>Single parts for customized adapter plates</b>				
⑪ Storage bolt **	1529468	Storing bolt SWM-B 050/050-V	1529468	Storing bolt SWM-B 050/050-V
⑫ Anti-rotation lock for SWM-B-V **	1517863	Anti-rotation device SWM-B 050-V	1517863	Anti-rotation device SWM-B 050-V

	SWS 011	
	Ident.-Nr.	Description
① Mounting plate *	1489443	Mounting plate SWM-B
Mounting plate universal***	1547060	Mounting plate SWM-B universal
<b>SWM-B 085</b>		
② SWM-B 050	1459336	SWM-B 050
③ Intermediate plate below	1523807	A-SWA-005/011-SWM-B 050
④ Intermediate plate side		
⑤ Tool presence query SWM-B	0301469	IN 5-S-M8
<b>SWM-B 085-V</b>		
⑥ SWM-B 050-V	1442568	SWM-B 050-V
⑦ Intermediate plate below	1523840	A-SWA-005/011-SWM-B 050-V
⑧ Intermediate plate side		
⑨ Tool presence query SWM-B	1523878	AS-SWM-B-V-IN30K-T
⑩ Interlocking query SWM-B-V	1523876	AS-SWM-B-V-IN30K-L
<b>Single parts for customized adapter plates</b>		
⑪ Storage bolt **	1529468	Storing bolt SWM-B 050/050-V
⑫ Anti-rotation lock for SWM-B-V **	1517863	Anti-rotation device SWM-B 050-V

\*Mounting plate cannot be used for SWM-B 085-V

\*\*The bolt as well as the anti-rotation device (only for SWM-B-V) are already included in the scope of delivery of the standard intermediate plates.

\*\*\*Mounting plate can be used for both SWM-B and SWM-B-V in all sizes and for mounting on vertical profiles

## SWM-B 085/ SWM-B 085-V up to 100kg payload

	SWS 020/021		SWS 022	
	Ident.-Nr.	Description	Ident.-Nr.	Description
① Mounting plate *	1489443	Mounting plate SWM-B	1489443	Mounting plate SWM-B
Mounting plate universal***	1547060	Mounting plate SWM-B universal	1547060	Mounting plate SWM-B universal
<b>SWM-B 085</b>				
② SWM-B 085	1459339	SWM-B 085	1459339	SWM-B 085
③ Intermediate plate below	1523816	A-SWA-020/021/022-SWM-B 085	1523816	A-SWA-020/021/022-SWM-B 085
④ Intermediate plate side			1523836	A-SWA-J16-SWM-B 085
⑤ Tool presence query SWM-B	0301569	IN 5-S-M12	0301569	IN 5-S-M12
<b>SWM-B 085-V</b>				
⑥ SWM-B 050-V	1442590	SWM-B 085-V	1442590	SWM-B 085-V
⑦ Intermediate plate below	1523845	A-SWA-020/021/022-SWM-B 085-V		
⑧ Intermediate plate side			1523875	A-SWA-J16-SWM-B 085-V
⑨ Tool presence query SWM-B	1523878	AS-SWM-B-V-IN30K-T	1523878	AS-SWM-B-V-IN30K-T
⑩ Interlocking query SWM-B-V	1523876	AS-SWM-B-V-IN30K-L	1523876	AS-SWM-B-V-IN30K-L
<b>Single parts for customized adapter plates</b>				
⑪ Storage bolt **	1529834	Storing bolt SWM-B 050/050-V	1529834	Storing bolt SWM-B 050/050-V
⑫ Anti-rotation lock for SWM-B-V **	1518104	Anti-rotation device SWM-B 050-V	1518104	Anti-rotation device SWM-B 050-V

	SWS 029		SWS 040	
	Ident.-Nr.	Description	Ident.-Nr.	Description
① Mounting plate *	1489443	Mounting plate SWM-B	1489443	Mounting plate SWM-B
Mounting plate universal***	1547060	Mounting plate SWM-B universal	1547060	Mounting plate SWM-B universal
<b>SWM-B 085</b>				
② SWM-B 085	1459339	SWM-B 085	1459339	SWM-B 085
③ Intermediate plate below			1523817	A-SWA-040-SWM-B 085
④ Intermediate plate side	1523836	A-SWA-J16-SWM-B 085	1523836	A-SWA-J16-SWM-B 085
⑤ Tool presence query SWM-B	0301569	IN 5-S-M12	0301569	IN 5-S-M12
<b>SWM-B 085-V</b>				
⑥ SWM-B 050-V	1442590	SWM-B 085-V	1442590	SWM-B 085-V
⑦ Intermediate plate below			1523846	A-SWA-040-SWM-B 085-V
⑧ Intermediate plate side	1523875	A-SWA-J16-SWM-B 085-V	1523875	A-SWA-J16-SWM-B 085-V
⑨ Tool presence query SWM-B	1523878	AS-SWM-B-V-IN30K-T	1523878	AS-SWM-B-V-IN30K-T
⑩ Interlocking query SWM-B-V	1523876	AS-SWM-B-V-IN30K-L	1523876	AS-SWM-B-V-IN30K-L
<b>Single parts for customized adapter plates</b>				
⑪ Storage bolt **	1529834	Storing bolt SWM-B 050/050-V	1529834	Storing bolt SWM-B 050/050-V
⑫ Anti-rotation lock for SWM-B-V **	1518104	Anti-rotation device SWM-B 050-V	1518104	Anti-rotation device SWM-B 050-V

\*Mounting plate cannot be used for SWM-B 085-V

\*\*The bolt as well as the anti-rotation device (only for SWM-B-V) are already included in the scope of delivery of the standard intermediate plates.

\*\*\*Mounting plate can be used for both SWM-B and SWM-B-V in all sizes and for mounting on vertical profiles

		SWS 041		SWS 046	
		Ident.-Nr.	Description	Ident.-Nr.	Description
①	Mounting plate *	1489443	Mounting plate SWM-B	1489443	Mounting plate SWM-B
	Mounting plate universal***	1547060	Mounting plate SWM-B universal	1547060	Mounting plate SWM-B universal
<b>SWM-B 085</b>					
②	SWM-B 085	1459339	SWM-B 085	1459339	SWM-B 085
③	Intermediate plate below	1523819	A-SWA-041-SWM-B 085		
④	Intermediate plate side	1523836	A-SWA-J16-SWM-B 085	1523836	A-SWA-J16-SWM-B 085
⑤	Tool presence query SWM-B	0301569	IN 5-S-M12	0301569	IN 5-S-M12
<b>SWM-B 085-V</b>					
⑥	SWM-B 050-V	1442590	SWM-B 085-V	1442590	SWM-B 085-V
⑦	Intermediate plate below	1523860	A-SWA-041-SWM-B 085-V		
⑧	Intermediate plate side	1523875	A-SWA-J16-SWM-B 085-V	1523875	A-SWA-J16-SWM-B 085-V
⑨	Tool presence query SWM-B	1523878	AS-SWM-B-V-IN30K-T	1523878	AS-SWM-B-V-IN30K-T
⑩	Interlocking query SWM-B-V	1523876	AS-SWM-B-V-IN30K-L	1523876	AS-SWM-B-V-IN30K-L
<b>Single parts for customized adapter plates</b>					
⑪	Storage bolt **	1529834	Storing bolt SWM-B 050/050-V	1529834	Storing bolt SWM-B 050/050-V
⑫	Anti-rotation lock for SWM-B-V **	1518104	Anti-rotation device SWM-B 050-V	1518104	Anti-rotation device SWM-B 050-V

		SWS 060		SWS 071	
		Ident.-Nr.	Description	Ident.-Nr.	Description
①	Mounting plate *	1489443	Mounting plate SWM-B	1489443	Mounting plate SWM-B
	Mounting plate universal***	1547060	Mounting plate SWM-B universal	1547060	Mounting plate SWM-B universal
<b>SWM-B 085</b>					
②	SWM-B 085	1459339	SWM-B 085	1459339	SWM-B 085
③	Intermediate plate below	1523828	A-SWA-060-SWM-B 085	1523830	A-SWA-071-SWM-B 085
④	Intermediate plate side	1523836	A-SWA-J16-SWM-B 085	1523836	A-SWA-J16-SWM-B 085
⑤	Tool presence query SWM-B	0301569	IN 5-S-M12	0301569	IN 5-S-M12
<b>SWM-B 085-V</b>					
⑥	SWM-B 050-V	1442590	SWM-B 085-V	1442590	SWM-B 085-V
⑦	Intermediate plate below	1523862	A-SWA-060-SWM-B 085-V	1523865	A-SWA-071-SWM-B 085-V
⑧	Intermediate plate side	1523875	A-SWA-J16-SWM-B 085-V	1523875	A-SWA-J16-SWM-B 085-V
⑨	Tool presence query SWM-B	1523878	AS-SWM-B-V-IN30K-T	1523878	AS-SWM-B-V-IN30K-T
⑩	Interlocking query SWM-B-V	1523876	AS-SWM-B-V-IN30K-L	1523876	AS-SWM-B-V-IN30K-L
<b>Single parts for customized adapter plates</b>					
⑪	Storage bolt **	1529834	Storing bolt SWM-B 050/050-V	1529834	Storing bolt SWM-B 050/050-V
⑫	Anti-rotation lock for SWM-B-V **	1518104	Anti-rotation device SWM-B 050-V	1518104	Anti-rotation device SWM-B 050-V

\*Mounting plate cannot be used for SWM-B 085-V

\*\*The bolt as well as the anti-rotation device (only for SWM-B-V) are already included in the scope of delivery of the standard intermediate plates.

\*\*\*Mounting plate can be used for both SWM-B and SWM-B-V in all sizes and for mounting on vertical profiles

SWS 076			
	Ident.-Nr.	Description	
①	Mounting plate *	1489443	Mounting plate SWM-B
	Mounting plate universal***	1547060	Mounting plate SWM-B universal
SWM-B 085			
②	SWM-B 085	1459339	SWM-B 085
③	Intermediate plate below	1523831	A-SWA-076-SWM-B 085
④	Intermediate plate side	1523836	A-SWA-J16-SWM-B 085
⑤	Tool presence query SWM-B	0301569	IN 5-S-M12
SWM-B 085-V			
⑥	SWM-B 050-V	1442590	SWM-B 085-V
⑦	Intermediate plate below	1523869	A-SWA-076-SWM-B 085-V
⑧	Intermediate plate side	1523875	A-SWA-J16-SWM-B 085-V
⑨	Tool presence query SWM-B	1523878	AS-SWM-B-V-IN30K-T
⑩	Interlocking query SWM-B-V	1523876	AS-SWM-B-V-IN30K-L
Single parts for customized adapter plates			
⑪	Storage bolt **	1529834	Storing bolt SWM-B 050/050-V
⑫	Anti-rotation lock for SWM-B-V **	1518104	Anti-rotation device SWM-B 050-V

\*Mounting plate cannot be used for SWM-B 085-V

\*\*The bolt as well as the anti-rotation device (only for SWM-B-V) are already included in the scope of delivery of the standard intermediate plates.

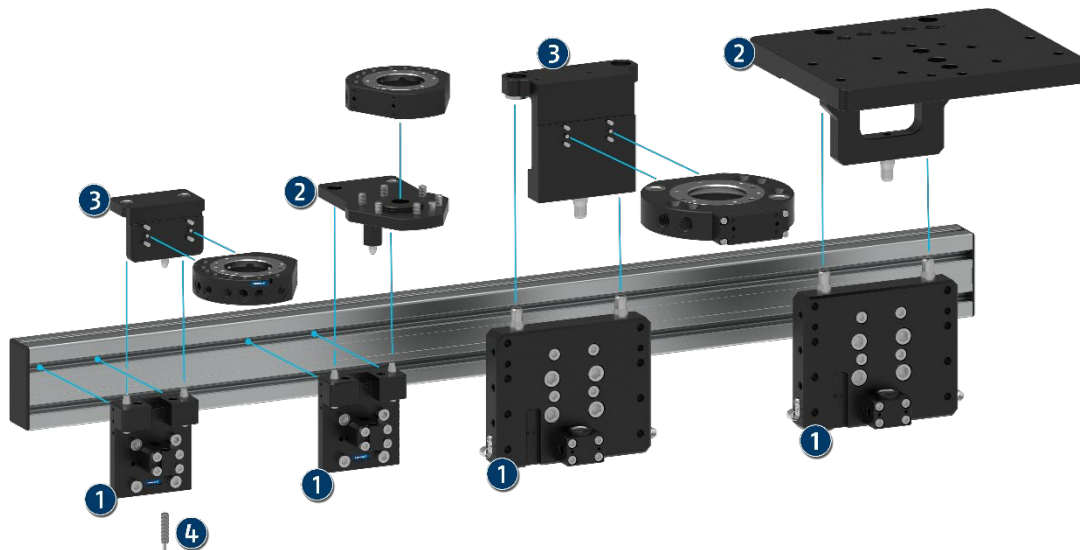
\*\*\*Mounting plate can be used for both SWM-B and SWM-B-V in all sizes and for mounting on vertical profiles

## Pin & Bushing

The Pin & Socket storage system offers the possibility to position tools precisely by means of a 3-point support. Pins and bolts are integrated in the storage module and in the intermediate plates for this purpose. The horizontal intermediate plate is mounted on the floor of the SWA and the vertical intermediate plate is screwed on laterally via the screw-on pattern of the option modules. The vertical intermediate plates are also available without integrated hole pattern for customized solutions. Optionally the tool presence in the tray can be sensed with an inductive proximity switch.



### Mounting example:



**Note:** The „intermediate plate sideways“ (3) is attached to the J screw-on surface of the quick-change-adapter SWA. The „intermediate plate below“ (2) is attached under the SWA.

The versions with the suffix "blank" do not have a screw-on pattern for the SWA and can be used for customer-specific screw-on patterns.

**Note:** For the Pin & Bushing-version „up to 510kg payload“ standard aluminum profiles cannot be used. Info on request.

## Pin & Bushing up to 50kg payload

	SWS 020/021		SWS 022	
	Ident.-Nr.	Description	Ident.-Nr.	Description
① Storage module	303182	SWM-TSS-MMB-7130	303182	SWM-TSS-MMB-7130
② Intermediate plate below	1343601	SWM-TSS-HBQ-9483	1343601	SWM-TSS-HBQ-9483
③ Intermediate plate lateral			303273	SWM-TSS-VBQ-8206
④ Inductive proximity switch*	301578	IN 80-S-M12	301578	IN 80-S-M12

	SWS 029		SWS 040	
	Ident.-Nr.	Description	Ident.-Nr.	Description
① Storage module	303182	SWM-TSS-MMB-7130	303182	SWM-TSS-MMB-7130
② Intermediate plate below	1501847	SWM-TSS-HBQ-11659	303183	SWM-TSS-HBQ-9401
③ Intermediate plate lateral	303273	SWM-TSS-VBQ-8206	303273	SWM-TSS-VBQ-8206
④ Inductive proximity switch*	301578	IN 80-S-M12	301578	IN 80-S-M12

	SWS 041		SWS 046	
	Ident.-Nr.	Description	Ident.-Nr.	Description
① Storage module	303182	SWM-TSS-MMB-7130	303182	SWM-TSS-MMB-7130
② Intermediate plate below	30077809	SWM-TSS-HBQ-7539	1341438	SWM-TSS-HBQ-9957
③ Intermediate plate lateral	303273	SWM-TSS-VBQ-8206	303273	SWM-TSS-VBQ-8206
④ Inductive proximity switch*	301578	IN 80-S-M12	301578	IN 80-S-M12**

\*Sensor holder integrated in storage module, optionally available: cable for proximity switch 0301503 KA BW12-L 3P-0300-PNP

## Pin & Bushing up to 150kg payload

	SWS 060		SWS 071	
	Ident.-Nr.	Description	Ident.-Nr.	Description
① Storage module	303281	SWM-TSM-MMB-8432	303281	SWM-TSM-MMB-8432
② Intermediate plate below				
③ Intermediate plate lateral			303283	SWM-TSM-VBQ-8442
Intermediate plate lateral blank	303284	SWM-TSM-VBB-8441	303284	SWM-TSM-VBB-8441
④ Inductive proximity switch*	303285	SWM-TSM-SMA-8439	303285	SWM-TSM-SMA-8439

	SWS 076		SWS 110	
	Ident.-Nr.	Description	Ident.-Nr.	Description
① Storage module	303281	SWM-TSM-MMB-8432	303281	SWM-TSM-MMB-8432
② Intermediate plate below	1314045	SWM-TSM-HBQ-9224	303282	SWM-TSM-HBQ-8439
③ Intermediate plate lateral	303283	SWM-TSM-VBQ-8442	303283	SWM-TSM-VBQ-8442
Intermediate plate lateral blank	303284	SWM-TSM-VBB-8441	303284	SWM-TSM-VBB-8441
④ Inductive proximity switch*	303285	SWM-TSM-SMA-8439	303285	SWM-TSM-SMA-8439

\* Contains sensor & sensor holder

## Pin & Bushing up to 510kg payload

	SWS 160		SWS-L 210	
	Ident.-Nr.	Description	Ident.-Nr.	Description
① Storage module	303267	SWM-TSL-RMB-R000	303267	SWM-TSL-RMB-R000
② Intermediate plate below	30081382	SWM-TSL-HBQ-8389		
③ Intermediate plate lateral				
Intermediate plate lateral blank	303253	SWM-TSL-VBB-3328	303253	SWM-TSL-VBB-3328
④ Sensor holder	30086648	SWM-TSL-SMA-8089	30086648	SWM-TSL-SMA-8089
⑤ Inductive proximity switch*	9951423	IN-B 180-S-M12	9951423	IN-B 180-S-M12

	SWS-L 310	
	Ident.-Nr.	Description
① Storage module	303267	SWM-TSL-RMB-R000
② Intermediate plate below		
③ Intermediate plate lateral		
Intermediate plate lateral blank	303253	SWM-TSL-VBB-3328
④ Sensor holder	30086648	SWM-TSL-SMA-8089
⑤ Inductive proximity switch*	9951423	IN-B 180-S-M12

## Overview aluminum profile SWM

The aluminum profiles of the SWM storage system can be optimally adapted to customer-specific applications thanks to their combinability.

The profiles are available in 3 standard combinations/designs, which differ in their maximum load capacity.

For loads up to 50kg, the combination of a stand profile and a cross profile is suitable.

For larger loads or for a large number of tools to be deposited, the combination of two stand profiles and one cross profile is suitable.

Special profiles are available for heavy loads.



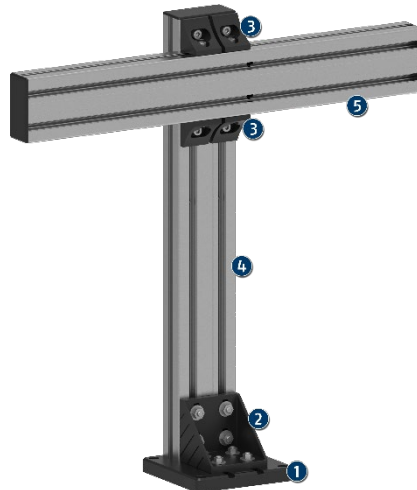
**Note:** The horizontal profiles are the „cross profiles“, the vertical standing profiles are “stand profiles”.

		Load capacity		Length cross profile in mm							
		< 50kg	> 50kg	300	460	610	915	1200	1500		
Profile vertical	45x90mm	X		setup	1 Profile vertical	X	X	X			
	90x90mm	X	X		2 Profiles vertical				X	X	X

**Note:** The tables are for orientation, for detailed dimensioning please consider moment data.

## Aluminium profile 45x90

Suitable for small and medium-sized SCHUNK changing systems with a load capacity of up to 25kg. The stand profiles are extremely stable and are ideally suited for mounting on platforms. Storage modules can be optionally equipped with proximity switches. The proximity switches make it possible to query or monitor the occupied spaces. The quick-change adapter is deposited without force without a holding mechanism. In this way, trouble-free changing processes are guaranteed.



	Length	Ident.-Nr.	Description
① Base plate		302580	SWM BP-45x90-TSS-3311
② Base bracket 90x90mm		302581	SWM BB-90x90
③ Mounting bracket 45x45mm		1332525	SWM MB-45x45
④ Profile Vertical 45x90mm	300mm	30077021	SWM PV-45x90-300
	460mm	1564977	SWM PV-45x90-460
	610mm	302586	SWM PV-45x90-610
	890mm	30046674	SWM PV-45x90-890
	1300mm	30070338	SWM PV-45x90-1300
⑤ Profile Horizontal 45x90mm*	300mm	1564976	SWM PH-45x90-300
	460mm	303229	SWM PH-45x90-460
	610mm	1419762	SWM PH-45x90-610
	920mm	303228	SWM PH-45x90-920
	1200mm	1356073	SWM PH-45x90-1200
	1500mm	1496166	SWM PH-45x90-1500

\* Scope of delivery: profile, 2 cover caps & 4 mounting brackets

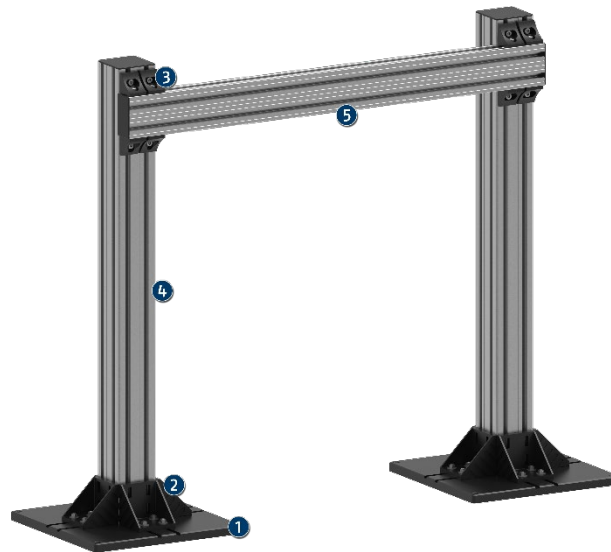
### Moment data:

Moment of torsion resistance [cm<sup>3</sup>]: 4.4  
 Area moment of inertia in x-direction [cm<sup>4</sup>]: 82  
 Moment of resistance in the x-direction [cm<sup>3</sup>]: 18.2

Torsional moment of inertia [cm<sup>4</sup>]: 15.1  
 Area moment of inertia in y-direction [cm<sup>4</sup>]: 23.6  
 Moment of resistance in the y-direction [cm<sup>3</sup>]: 10.5

## Aluminium profile 90x90mm

The aluminum profile 90x90mm can be used for storing small to medium-sized SCHUNK changing systems. It is particularly suitable for a large number of tools to be deposited. The stand profiles are extremely stable and are ideally suited for mounting on platforms. Storage modules can optionally be equipped with proximity switches. The proximity switches make it possible to query or monitor the occupied positions. The quick-change adapter is deposited without force without a holding mechanism. In this way, trouble-free changing processes are guaranteed.



	Length	Ident.-Nr.	Description
① Base plate		1604713	SWM BP-90x90-TSM-3589
② Base bracket 90x90mm		302581	SWM BB-90x90
③ Mounting bracket 45x45mm		1332525	SWM MB-45x45
④ Profile Vertical 90x90mm	650mm	1564970	SWM PV-90x90-650
	920mm	1564971	SWM PV-90x90-920
	1220mm	1564972	SWM PV-90x90-1220
	1830mm	1564974	SWM PV-90x90-1830
⑤ Profile Horizontal 45x90mm*	300mm	1564976	SWM PH-45x90-300
	460mm	303229	SWM PH-45x90-460
	610mm	1419762	SWM PH-45x90-610
	920mm	303228	SWM PH-45x90-920
	1200mm	1356073	SWM PH-45x90-1200
	1500mm	1496166	SWM PH-45x90-1500

\* Scope of delivery up to 610mm: Profile, 2 cover caps & 4 mounting brackets  
 Scope of delivery from 920mm: Profile, 2 cover caps & 8 mounting brackets

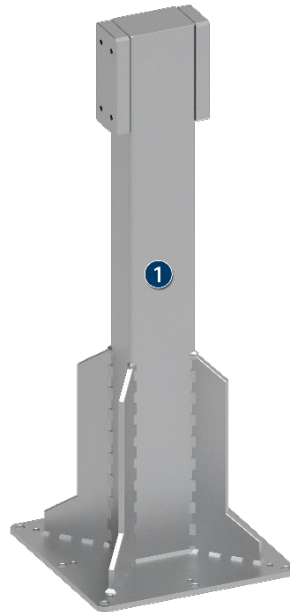
### Moment data:

Moment of torsion resistance [cm<sup>3</sup>]: 20.1  
 Area moment of inertia in x-direction [cm<sup>4</sup>]: 211.1  
 Moment of resistance in the x-direction [cm<sup>3</sup>]: 46.9

Torsional moment of inertia [cm<sup>4</sup>]: 82.1  
 Area moment of inertia in y-direction [cm<sup>4</sup>]: 211.1  
 Moment of resistance in the y-direction [cm<sup>3</sup>]: 46.9

## Heavy duty profile

Suitable for heavy-duty SCHUNK changing systems with a load capacity of up to approx. 500 kg. Sturdy, heavy-duty welded steel construction with high durability and maximum flexibility. The system can be individually designed to the customer's application on request.



	Ident.-Nr.	Description
① Welding construction	On request	SWM-TSL-PM-248A-N000

Other versions available on request