

# VERO-S Setup cart

## Assembly and operating manual



## Imprint

### Copyright:

This manual remains the copyrighted property of SCHUNK GmbH & Co. KG. It is solely supplied to our customers and operators of our products and forms part of the product. This documentation may not be duplicated or made accessible to third parties, in particular competitive companies, without our prior permission.

### Technical changes:

We reserve the right to make alterations for the purpose of technical improvement.

**Document number:** 0489059

**Edition:** 01.01 | 18/02/2016 | en

© SCHUNK GmbH & Co. KG

All rights reserved.

Dear customer,

congratulations on choosing a SCHUNK product. By choosing SCHUNK, you have opted for the highest precision, top quality and best service.

You are going to increase the process reliability of your production and achieve best machining results – to the customer's complete satisfaction.

SCHUNK products are inspiring.

Our detailed assembly and operation manual will support you.

Do you have further questions? You may contact us at any time – even after purchase.

Kindest Regards

Your H.-D. SCHUNK GmbH & Co.

Spanntechnik KG

Lothringer Str. 23

D-88512 Mengen

Tel. +49–7572-7614-0

Fax +49-7572-7614-1099

info@de.schunk.com

www.schunk.com



Reg. No. 003496 QM08



Reg. No. 003496 QM08

---

## Table of contents

<b>1</b>	<b>General</b> .....	<b>4</b>
1.1	Warnings.....	4
1.2	Applicable documents .....	5
<b>2</b>	<b>Basic safety notes</b> .....	<b>6</b>
2.1	Intended use.....	6
2.2	Not intended use .....	6
2.3	Notes on particular risks.....	6
2.4	Instructions for safe operation.....	8
2.4.1	Constructional changes, attachments, or modifications.....	9
2.5	Personnel qualification.....	9
2.6	Organizational measures.....	9
2.7	Using personal protective equipment.....	10
<b>3</b>	<b>Warranty</b> .....	<b>11</b>
<b>4</b>	<b>Scope of delivery</b> .....	<b>11</b>
4.1	Accessories .....	11
<b>5</b>	<b>Technical data</b> .....	<b>12</b>
<b>6</b>	<b>Functional description and operation</b> .....	<b>13</b>
6.1	Sliding and setting down the setup cart.....	13
6.2	Drawers.....	14
6.3	Transport .....	16
<b>7</b>	<b>Clamping pin holder</b> .....	<b>17</b>
7.1	Assembly.....	17
7.2	Disassembly .....	19
<b>8</b>	<b>Maintenance and care</b> .....	<b>20</b>
8.1	Maintenance.....	20
8.2	Care.....	21
<b>9</b>	<b>Trouble shooting</b> .....	<b>23</b>
<b>10</b>	<b>Disposal</b> .....	<b>23</b>
<b>11</b>	<b>Spare parts</b> .....	<b>24</b>
<b>12</b>	<b>Drawings</b> .....	<b>25</b>

## 1 General

This operating manual is an integral component of the product and contains important information on safe and proper assembly, commissioning, operation, care, maintenance and disposal. This manual must be stored in the immediate vicinity of the product where it is accessible to all users at all times.

Before using the product, read and comply with this manual, especially the chapter “Basic safety notes”. ([👉 2, Page 6](#))




If the product is passed on to a third party, these instructions must also be passed on.

Illustrations in this manual are provided for basic understanding of the product and may differ from the actual product design.

**We accept no liability for damage resulting from the failure to observe and comply with this operating manual.**

### 1.1 Warnings

To make risks clear, the following signal words and symbols are used for safety notes.

	<p><b>⚠ DANGER</b></p> <p><b>Danger for persons.</b> Non-compliance will inevitably cause irreversible injury or death.</p>
	<p><b>⚠ WARNING</b></p> <p><b>Dangers for persons.</b> Ignoring a safety note like this can lead to irreversible injury and even death.</p>
	<p><b>⚠ CAUTION</b></p> <p><b>Dangers for persons.</b> Non-observance can cause minor injuries.</p>

**NOTICE****Material damage**

Information about avoiding material damage.

## 1.2 Applicable documents

General terms of business

Catalog data sheet of the purchased product

The documents listed here, can be downloaded on our homepage  
**[www.schunk.com](http://www.schunk.com)**

## 2 Basic safety notes

Risks to persons and property may arise from incorrect handling, assembly and adjustment of this product if these instructions are disregarded.

Report breakdowns and damages as soon as you detect it and repair immediately, so as to keep the extent of damage as small as possible and to avoid risking the safety of the product.

**Only original SCHUNK spare parts may be used.**

### 2.1 Intended use

This product is used to store devices and tools as well as other suitable technical facilities.

The technical data specified by the manufacturer must never be exceeded.

The product is intended for industrial use.

Intended use also means that the user has read and understood this operating manual in its entirety, especially the chapter “Basic safety notes”.

### 2.2 Not intended use

The product is not being used as intended if, for example:

- if it is used as a means of transport for the transportation of people, devices and tools as well as other suitable technical facilities.
- It is used in working environments that are not permissible.
- The technical data specified by the manufacturer are exceeded during usage.

### 2.3 Notes on particular risks

This product may pose a danger to persons and property if, for example:

- It is not used as intended;
- It is not installed or maintained properly;
- The safety and installation instructions, local applicable safety and accident prevention regulations or the EC Machinery Directive are not observed.

**! WARNING****Risk of injury due to falling parts when setting up, operating, dismantling, and transporting the setup cart.**

Parts that have not been properly secured or incorrectly positioned parts can come loose and fall down.

- Use suitable lifting equipment and means of transport.
- Position the devices and tools safely.
- When transporting and using the setup cart, stay clear of the danger zone.
- Wear personal protective equipment.

**! WARNING****Risk of injury as a result of the setup cart tilting if loading of the storage rack or the drawers is uneven or top-heavy.**

- Load the setup cart evenly.
- Observe the maximum load weight.

**! WARNING****Risk of injury due to crushing or hitting when moving the setup cart.**





There is a danger of crushing or hitting when sliding the setup cart or if it starts moving of its own accord on uneven ground.

- Observe the stopping distance when sliding the setup cart.
- When setting down the setup cart, actuate at least one holding brake.

**! WARNING****Risk of injury due to accessibility and body posture**

During setup, operation, disassembly and transport, a required body posture can cause physical and psychological stresses.

- Use suitable lifting equipment.
- Wear personal protective equipment.
- Creating suitable work environment conditions.

	<p><b>⚠ CAUTION</b></p> <p><b>Risk of injury from parts which are under spring force (drawer locking, drawer pull-out safety device)</b></p> <ul style="list-style-type: none"> <li>• Wear protective gloves during assembly, operation and disassembly.</li> </ul>
	<p><b>⚠ CAUTION</b></p> <p><b>There is a risk of crushing when loading and unloading the setup cart.</b></p> <ul style="list-style-type: none"> <li>• Use suitable lifting equipment.</li> <li>• Wear personal protective equipment.</li> </ul>
	<p><b>⚠ CAUTION</b></p> <p><b>Risk of slipping or falling if the operational environment of the setup cart is not clean (e.g. contaminated with cooling lubricants or oil).</b></p> <ul style="list-style-type: none"> <li>• Ensure that the working environment is clean before starting assembly, disassembly and de-installation work.</li> <li>• Wear suitable safety boots.</li> <li>• Observe the safety and accident prevention regulations when operating the setup cart.</li> </ul>
	<p><b>⚠ CAUTION</b></p> <p><b>Risk of injury due to sharp edges and rough or slippery surfaces.</b> There is a risk of suffering abrasions from raw components of the setup cart and its accessories.</p> <ul style="list-style-type: none"> <li>• Wear personal protective equipment, particularly protective gloves.</li> </ul>

## 2.4 Instructions for safe operation

- Make sure the load on the setup cart and on the drawers is equal when loading and unloading. Raise/Lower loads slowly.
- During storage as well as during loading and unloading, activate the holding brake at one guide roller at least.
- Only use on even ground. Take special care that the ground is even when loading and unloading.

- Always fully close the drawer after loading or unloading - drawer locking must be activated.
- Before opening a drawer, make sure the remaining drawers are fully closed (locked).
- Never use force when opening a drawer. Fully press in the push-button when deactivating the drawer lock.
- Observe the permitted load rating of the individual drawers and the storage rack.
- Make sure the drawers are fully closed (locked) before sliding the setup cart.
- Use the handles to slide the setup cart.
- Never let the setup cart roll by itself.
- When on uneven or sloping surfaces, make sure that the setup cart does not tilt or is set into motion of its own accord.
- Make sure the clamping pin holder is positioned correctly.

#### **2.4.1 Constructional changes, attachments, or modifications**

Additional threads, bore holes or attachments which are not supplied as accessories by SCHUNK may affect safety. They may only be applied after obtaining the prior consent of SCHUNK.

#### **2.5 Personnel qualification**

Only qualified specialist personnel with the relevant safety training may commission and operate the setup cart.

All persons charged with operating the setup cart must have access to the operating manual, especially the chapter "Basic safety notes".

#### **2.6 Organizational measures**

##### **Obeying the rules**

The operator must employ suitable organizational measures and instructions in order to ensure that the relevant safety rules are obeyed by the persons asked to operate, maintain and repair the setup cart.

### **Monitoring the behavior of personnel**

The operator must at least occasionally check that the personnel are behaving in a safety-conscious manner and are aware of the potential hazards.

### **Danger signs**

The operator must ensure that the signs concerning safety and hazards on the machine where the setup cart is used are clearly legible and are observed.

### **Malfunctions**

If safety-related malfunctions come about at the setup cart, then it must be shut down immediately until such a time as the malfunction has been found and remedied. Only allow specialists to remedy malfunctions.

### **Spare parts**

Only use original SCHUNK spare parts.

### **Environmental regulations**

Comply with the applicable legal norms when disposing of waste.

## **2.7 Using personal protective equipment**

When using this product, you must comply with the relevant health and safety at work rules and you must use the required personal safety equipment (minimum: category 2).

### 3 Warranty

If the product is used as intended, the warranty is valid for 24 months from the date of delivery from the production facility under the following conditions:

- Observe the applicable documents ([👉 1.2, Page 5](#))
- Observe the environmental and operating conditions.
- Observance of the permitted load rating of the individual drawers and the storage rack. ([👉 6.2, Page 14](#))
- Observation of the maintenance and care instructions ([👉 8, Page 20](#))

Not covered by the warranty are clamping pin holders, storage racks and rack inserts, screw connections, springs, bearings, screws and wearing parts.

### 4 Scope of delivery

**1 VERO-S setup cart (RWA)**

**1 Assembly and operating manual**

#### 4.1 Accessories

(see catalog or data sheets when ordering separately)

Rack insert (RWB 5-5)

Rack insert (RWB 6-5)

Clamping pin holder (RWH mini 74-25)

Clamping pin holder (RWH mini 74-45)

Clamping pin holder (RWH plus 74-25)

Clamping pin holder (RWH plus 74-45)

## 5 Technical data

Total height	904 mm
Overall width	1151.5 mm
Overall depth	765.6 mm
Total weight	181.4 kg
Max. load rating per drawer	180 kg
Max. load rating of the storage rack	400 kg
Full pull-out drawer	482.5 mm
Clear height in the drawer	213.5 mm
Storage height in the drawer	244 mm
Operating temperature	+ 15°C to + 60°C

The product is intended for industrial use when operated in closed rooms. For this reason, it should be protected against excess humidity, chemical vapors and contamination.


### Warranty

Length of warranty	24 Months
--------------------	-----------

## 6 Functional description and operation

The item numbers specified for the corresponding individual components relate to chapter drawings. ([12, Page 25](#))

Carefully lift the product (e.g. using suitable lifting gear) from the packaging.

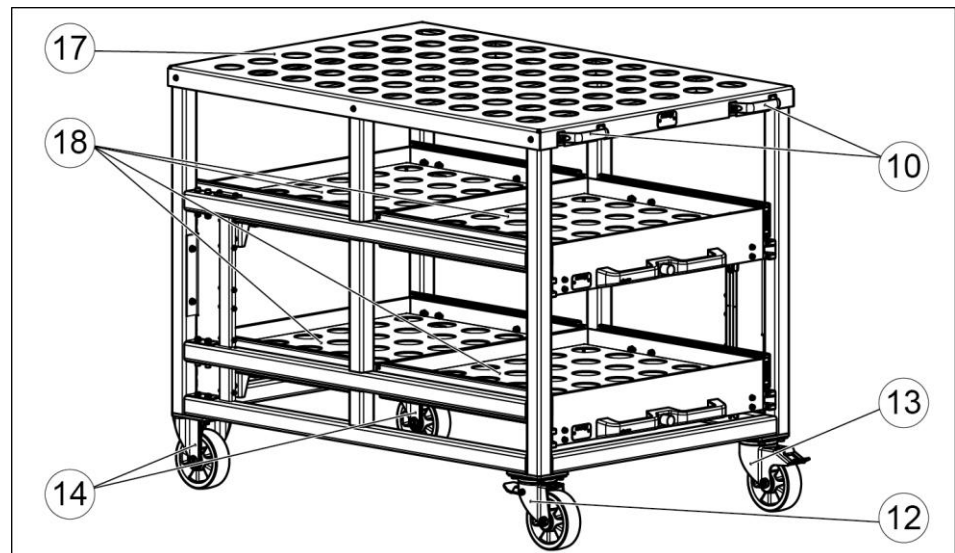
	<b>! CAUTION</b>
	<p><b>Danger of injury due to sharp edges and rough or slippery surfaces</b></p> <p>Use personal protective gear, especially safety gloves.</p>

Check the delivery for completeness and for transport damage.

### 6.1 Sliding and setting down the setup cart

The setup cart has two fixed rollers for heavy loads (item 14) and two guide rollers (items 12 and 13) with holding brake.

The two guide rollers are arranged in such a way that when sliding the setup cart (forwards or backwards) the holding brake can always be activated on one of the guide rollers. There are two handles for the purpose of sliding the setup cart (item 10).



Setup cart with handles (item 10), guide rollers (items 12 and 13), fixed rollers for heavy loads (item 14), storage rack (item 17) and rack inserts (item 18)

The setup cart is for the quick access to devices and tools as well as other suitable technical facilities directly on the machine. It is not intended for the transport of objects over long distances.

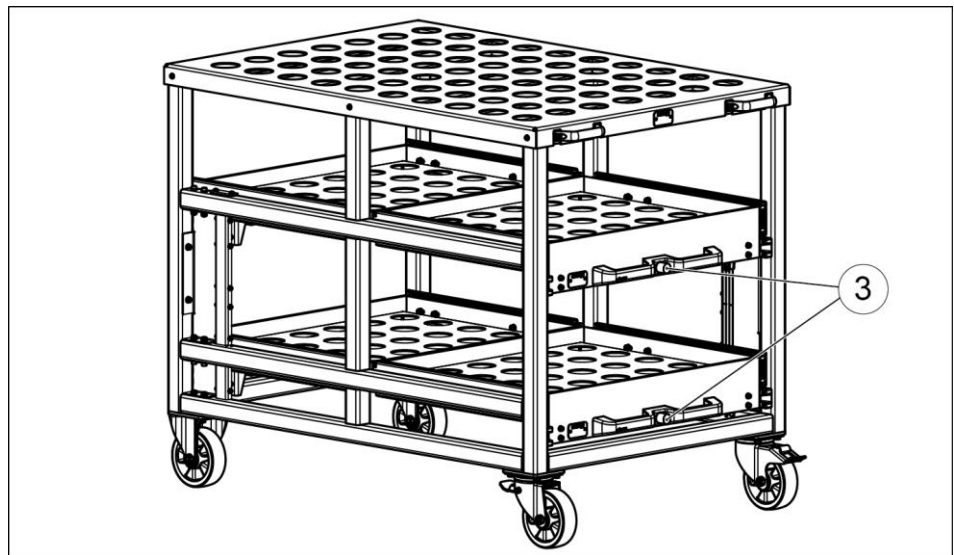
For more information on transporting, please see chapter "Transport" ([👉 6.3, Page 16](#)).

When sliding the setup cart, the stopping distance needs to be taken into consideration according to the load. **The holding brakes are not suitable for decelerating the setup cart.** The holding brake is used to prevent it from moving of its own accord after already stopping.

## 6.2 Drawers

The drawers each have a drawer lock as well as a drawer pull-out safety device.

- **Drawer lock:**  
The drawer lock locks the drawer in place when in closed position. Locking is triggered by pressing the push-button (item 3) at the drawer handle. As soon as the drawer is opened approx. 20 mm, it is no longer required to press the push-button.
- **Drawer pull-out safety device:**  
The drawer prevents the simultaneous opening of multiple drawers. Before you can open another drawer, the opened drawer must first be closed full and you need to hear the drawer lock audibly snap into place.

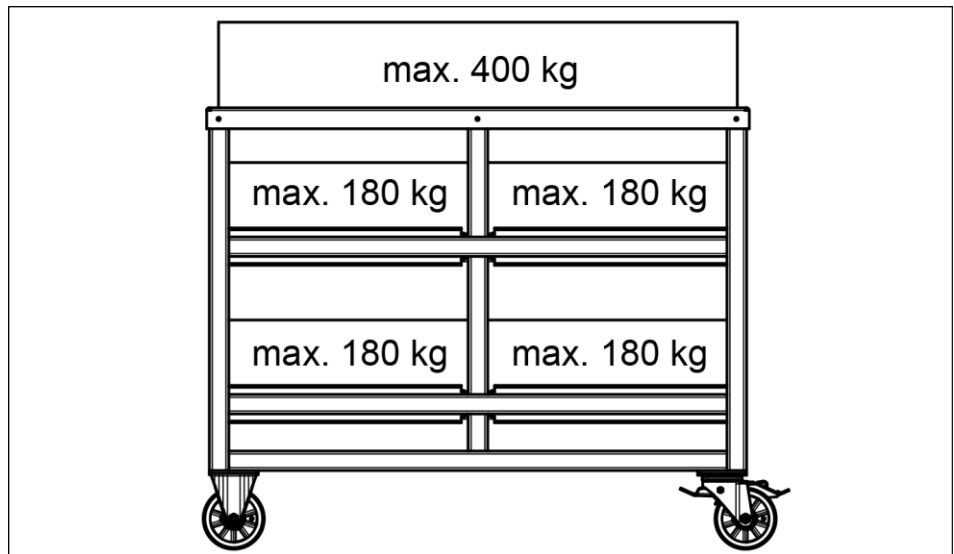


Drawer lock with push-button (item 3)

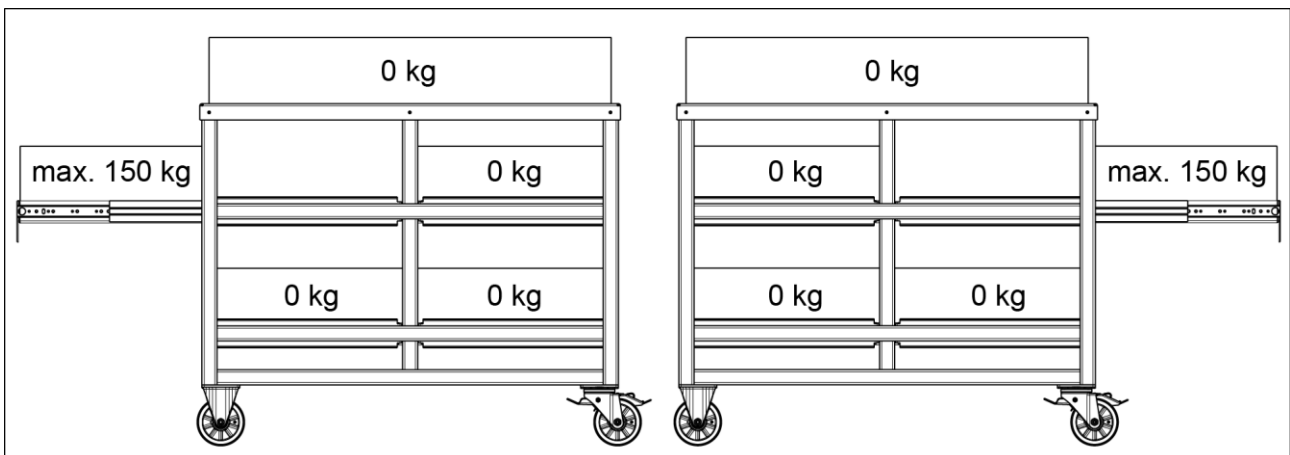
### Maximum loading of the drawers and avoiding the risk of tilting

Every drawer has a max. load rating of 180 kg. If loading is uneven or if the setup cart is unloaded, the max. loading of a drawer reduces by 150 kg.

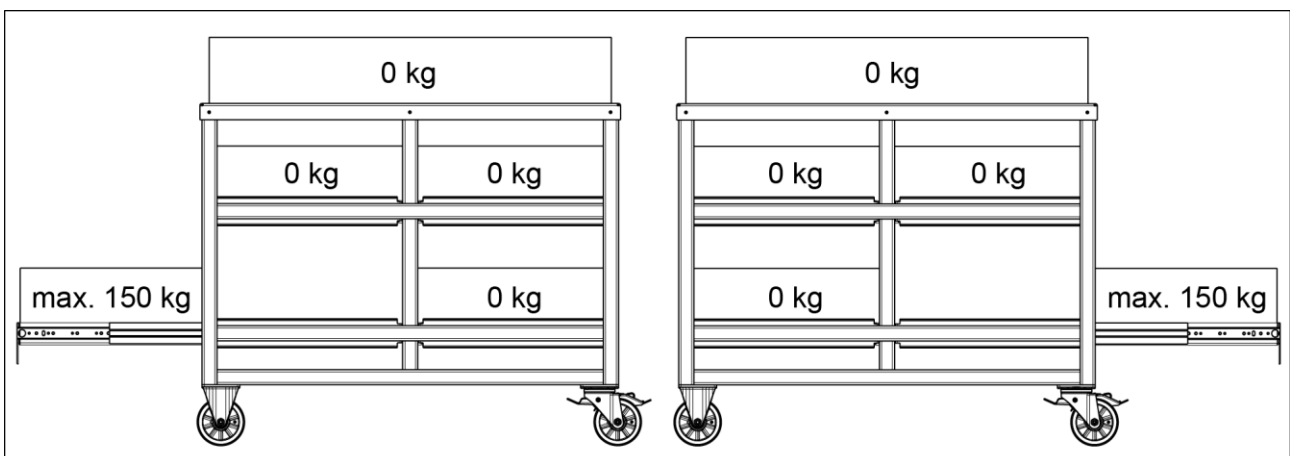
Here, take the center of gravity position of the drawer loading into consideration.



Maximum load rating of the storage rack and the four drawers of the setup cart



Maximum load of the upper drawers with otherwise unloaded setup cart



Maximum load of the lower drawers with otherwise unloaded setup cart

### 6.3 Transport

When sliding the setup cart over longer distances, the following notes must be taken into account depending on the means of transport:

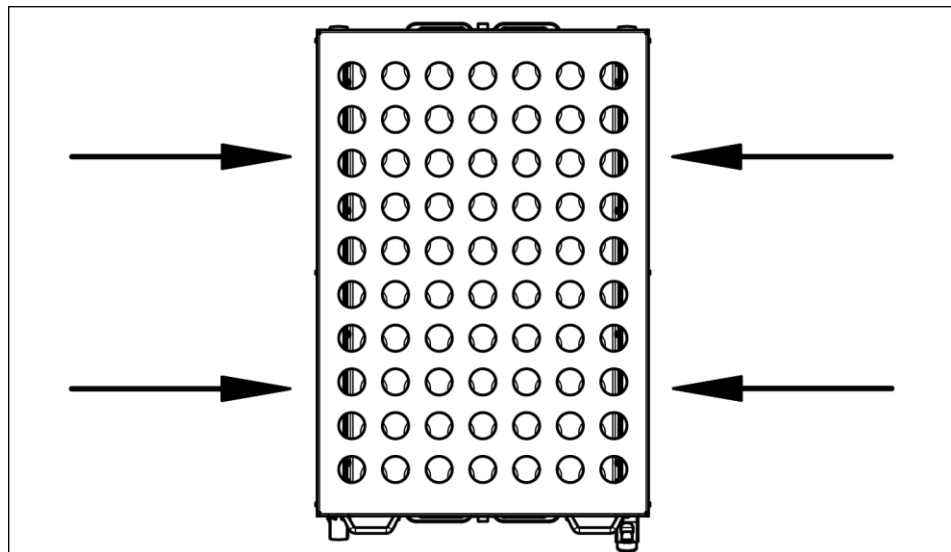
- Sliding using manpower:

The setup cart does not have a brake which would make deceleration possible when sliding. If the setup cart is moved by hand, it will need to be brought to a standstill again manually. Depending on the load, the required stopping distance needs to be taken into consideration.

- Transport with forklift:

Select the position of the fork arms according to the load (center of gravity) of the setup cart. Only load up from the long side!

Position the fork arms up to the stop beneath the setup cart. Use anti-slip mats and secure the setup cart with tension belts. Only perform the transport at low speeds. Provide additional fastening for top-heavy or heavy loads in the setup cart or remove them from the setup cart before transport.



When transporting with a forklift, only load up from the long side.


- Transport on EPAL Euro pallets:


Before lowering the setup cart to the EPAL Euro pallet, place anti-slip mats under the rollers.

Actuate the holding brake at the guide rollers. Secure the setup cart to the pallet using tension belts or straps.

## 7 Clamping pin holder

The item numbers specified for the corresponding individual components relate to chapter drawings. ([↩ 12, Page 25](#))

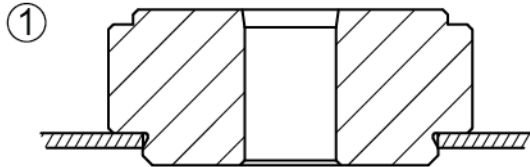
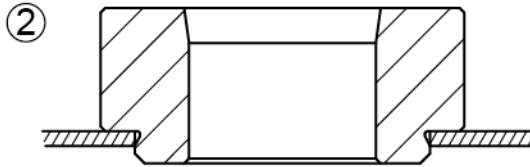
	<b>⚠ CAUTION</b>
	<p><b>There is a danger of crushing during assembly and disassembly of the clamping pin holders.</b></p> <ul style="list-style-type: none"> <li>• Use assembly aid.</li> <li>• Wear personal protective equipment.</li> </ul>

	<b>⚠ CAUTION</b>
	<p><b>Danger from noise.</b> Noise stress from assembling and disassembling the clamping pin holders.</p> <ul style="list-style-type: none"> <li>• Wear hearing protection.</li> <li>• Use soft-head hammer.</li> </ul>

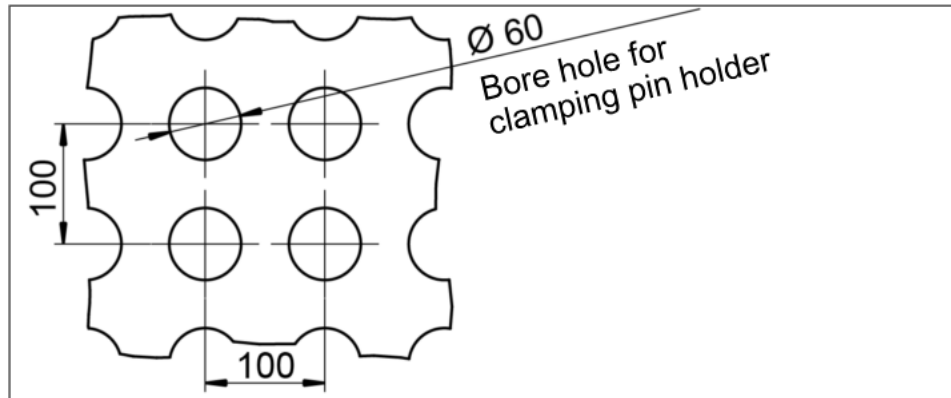
### 7.1 Assembly

The clamping pin holders for holding SPx 20 or SPx 40 clamping pins can be positioned individually on the storage racks and rack inserts (items 17 and 18).

There is an undercut in the clamping pin holder for the fixed position in the locating hole.

	
<b>1</b> Clamping pin holder for SPx 20-clamping pin	<b>2</b> Clamping pin holder for SPx 40-clamping pin

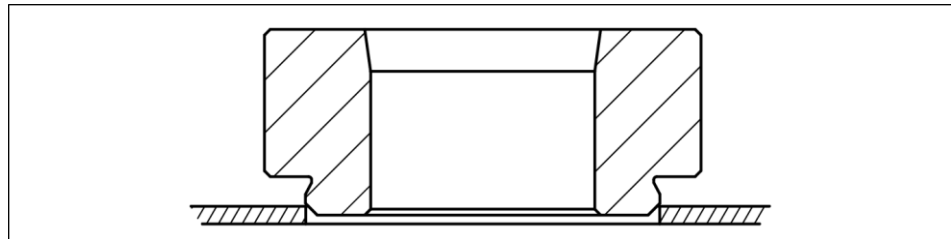
The storage rack and the rack inserts have a gauge for bore holes of 100 mm in both directions.



Gauge for bore holes of 100 mm of the storage rack and the insert racks

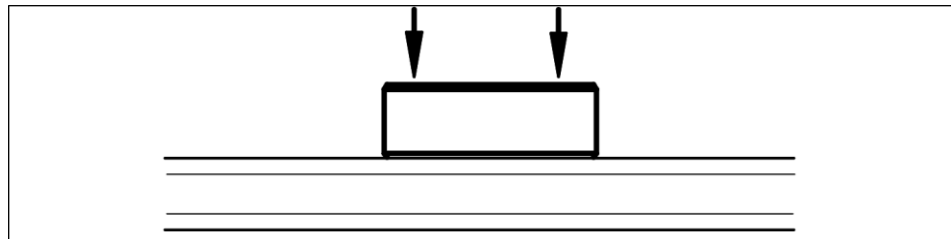
**Assembly steps:**

Positioning the clamping pin holders centrally above the bore hole of the storage rack or rack insert.



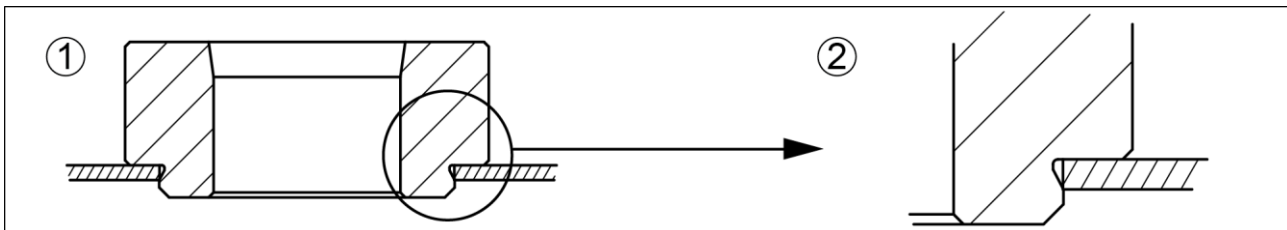
Positioning of the clamping pin holder centrally above the bore hole

Move the clamping pin holder to its end position with soft hammer blows.



Direction of the mating force

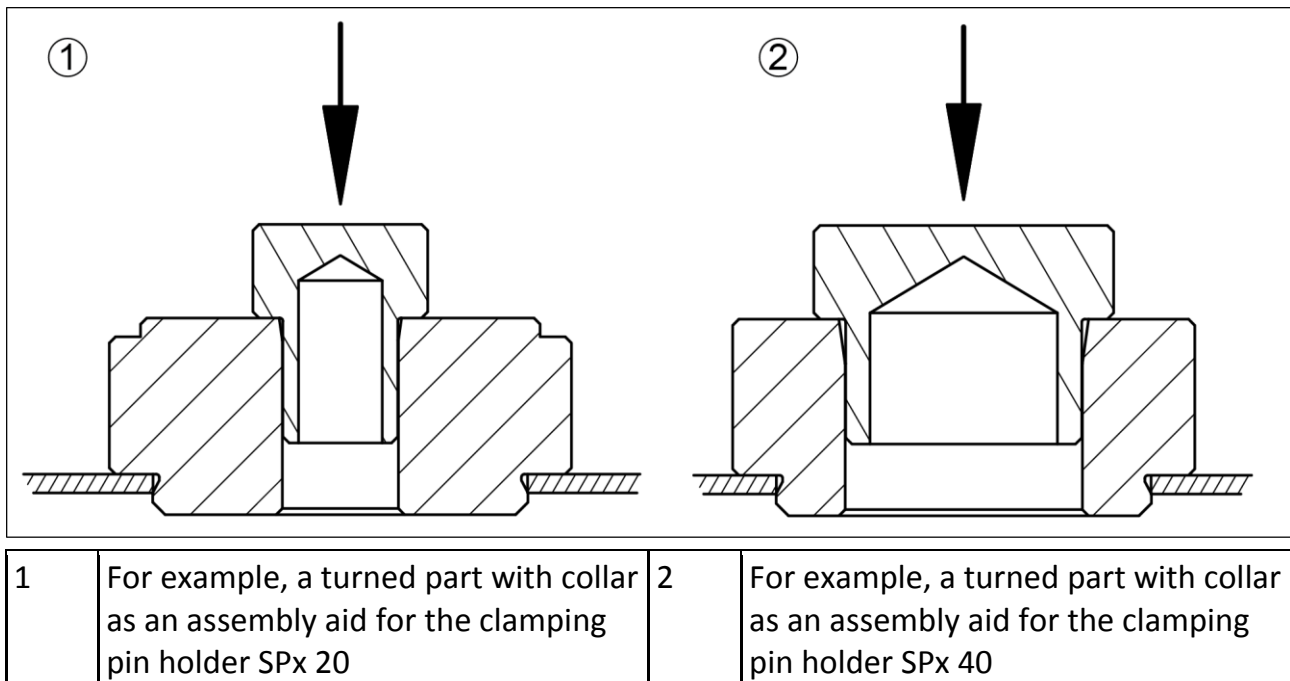
Check that the contact surface is resting flush on the rack.



1	End position of the clamping pin holder	2	Contact surface of the clamping pin holder flush on the rack
---	---	---	--

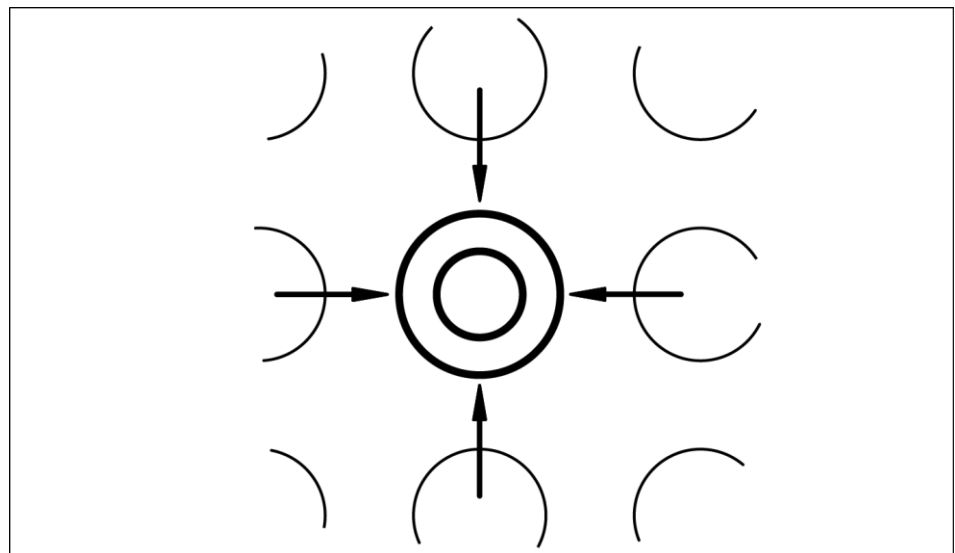
Using a soft-blow hammer is recommended for the assembly.

A turned part with collar can be used to make assembly easier. This can be inserted into the holding bore hole of the clamping pin and thus provides a central introduction of mating force.



## 7.2 Disassembly

The clamping pin holders for holding SPx 20 or SPx 40 clamping pins can be loosened again with light hammer blows along the length.



Hammer blows along the length of the clamping pin holder for disassembly

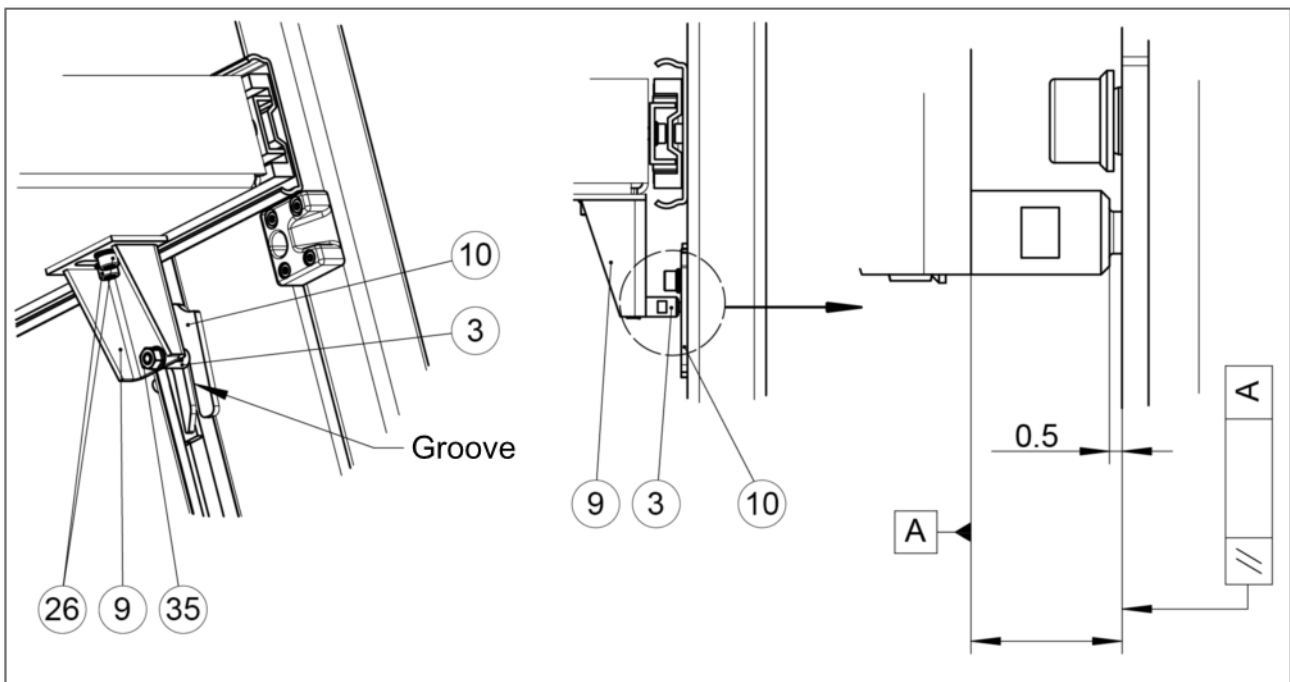
## 8 Maintenance and care

### 8.1 Maintenance

The improper use of the setup cart, in particular the drawer pull-out safety device, can lead to restrictions in the functionality.

The bracket (item 9) below the drawer's underside can change direction (parallel to the guide part) if the drawer is jerked open or closed.

To realign the bracket, loosen the two screw connections (item 26). Align the bracket (item 9) parallel to the guide part and tighten the nuts of the screw connection with 8 Nm. It is important that the pin (item 3) connected to the bracket has a distance of 0.5 mm to the flat surface of the guide part (item 10). The nut (item 35) for fastening the pin (item 3) at the bracket (item 9) needs to be tightened with 6 Nm.



Pin (item 3), bracket (item 9), guide part (item 10), screw connection (item 26), nut (item 35)

Deactivation of the drawer pull-out safety device:

Loosen the two screws (item 25) of the cover plate (item 7).

**Caution: The cover plate is under spring tension!** Keep the cover plate in position with one hand. The cover plate can be removed once the screws have been fully unscrewed.

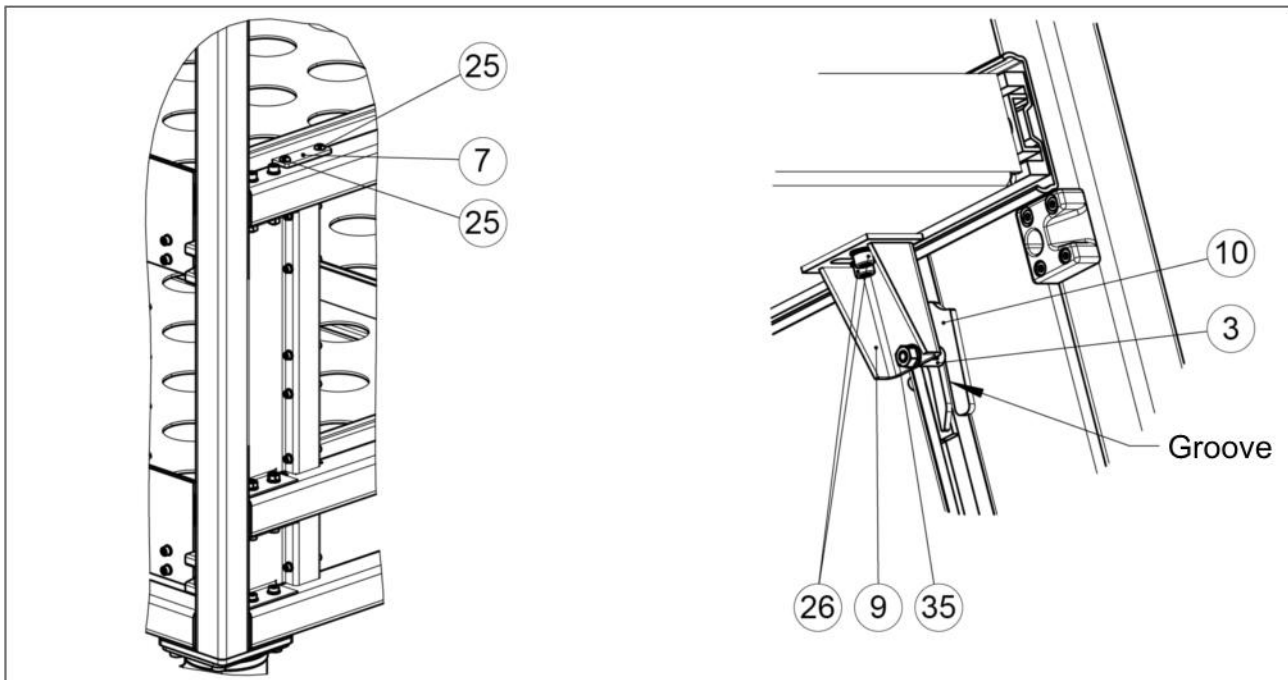
The drawer pull-out safety device is deactivated.

**Activation of the drawer pull-out safety device:**

The drawers must be closed. Under each drawer, the pin (item 3) must be located within the groove of the guide part (item 10).

Position the cover plate (item 7) and fasten with the two screws (item 25). Screw tightening torque: 6 Nm.

The drawer pull-out safety device is activated.



Deactivation/Activation of the drawer pull-out safety device.

Pin (item 3), cover plate (item 7), bracket (item 9), guide part (item 10), screws (item 25), screw connection (item 26), nut (item 35)

## 8.2 Care

The frame and the drawers of the setup cart are powder-coated. The storage rack and rack inserts are stainless steel.

Cleaning recommendation for powder-coated surfaces: (check on non-visible surfaces first, e.g. on the underside of the drawer)

- Use cleaning towels or cloths / natural or plastic sponges. Do not use cleaning pads made of plastic or steel wool.
- For light dirt, clean with clear water (cold or lukewarm). If necessary, supplement with small amounts of neutral or slightly alkaline detergents.

- With stubborn contamination, like greasy or oily substances, aroma-free gasoline hydrocarbons can be used.
- Do not use any scouring or abrasive materials.
- Do not use any acidic or strongly alkaline cleaning or surface-active agents.
- Do not use any organic solvents which contain ester, ketone, alcohol, aromas, glycol ether, halogenated hydrocarbons or similar.
- Surface or detergent temperature < 25 °C.
- Do not use any steam blasters or high-pressure cleaners.

## 9 Trouble shooting

### **Drawer does not open / close correctly.**

- Check that all drawers on the side are closed correctly.  
To open a drawer, the other drawer of this side must be closed completely (it must be possible to audibly hear the drawer locking into place).

### **Both drawers on one side can be pulled out simultaneously.**

- Checking the drawer pull-out safety device.  
When the drawer on the respective side is closed, the guide part (item 10) must be in "closed" position and the pin (item 3) must be inside the groove of the guide part.  
When the drawer is open, the guide part must be in "open" position.  
The bracket (item 9) under the respective drawer underside may not be bent or its position changed (parallel to the guide part).  
The pin screwed into the bracket must not be loose.

## 10 Disposal

After decommissioning the setup cart:

- Disassemble the mounted clamping pin holders (plastic) and dispose of them properly in line with the statutory provisions.
- Dispose of the setup cart's metal parts as scrap metal.

Alternatively, you can return the setup cart to SCHUNK for proper disposal.

## 11 Spare parts

When ordering spare parts, it is indispensable that the exact designation of the spare parts be indicated.

Generally not covered by the warranty are clamping pin holders, storage racks and rack inserts, screw connections, springs, bearings, screws and wearing parts.

Item	Designation	Quantity
1	Counter-guide	4
2	Telescopic slide	8
3	Push-button	4
3	Pin	4
3	Drawer	4
7	Cover plate	2
8	Drawer handle	4
9	Bracket	4
10	Handle	2
10	Guide part	4
12	Guide roller	1
13	Guide roller	1
14	Fixed roller for heavy loads	2
15	Sign	4
16	Sign	2
17	Storage rack	1
18	Rack insert	4
25	Screw	4
26	Screw connection	8
35	Nut	4

## 12 Drawings

