



1945 – 2015

70 Jahre



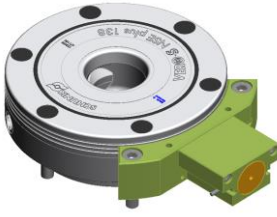

VERO-S modular monitoring system

Superior Clamping and Gripping

VERO-S modular monitoring system, Daniel Burghardt, 30.08.2016

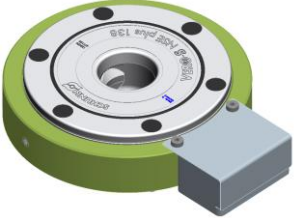
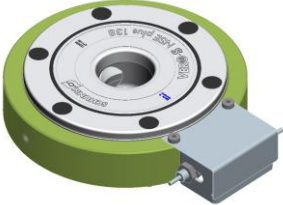
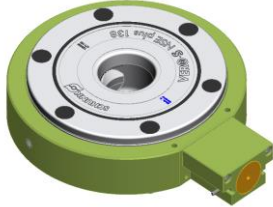


# VERO-S modular monitoring system -segment-

Feature	monitoring PMI -inductive-		monitoring INI -inductive-		monitoring MMS -magnetic-		monitoring AFS -pneumatic-	
								
Size/ID	99/1300179	138/1150687	99/1300180	138/1150688	99/1300181	138/1150689	99/1300793	138/1300794
Fastening	Fixed to base plate		Fixed to base plate		Fixed to base plate		Fixed to base plate	
Settings	3 settings, OPENED/ CLAMPED; Recognizes clamping without clamping pin as error		3 settings, OPENED/ CLAMPED; Recognizes clamping without clamping pin as error		2 settings, OPENED/ CLAMPED		Dynamic pressure at OPENED state	
Sensitivity to dirt	Cover plate protects the inside IP65 (sensor)		Cover plate protects the inside IP67 (sensor)		Completely covered IP67 (sensor)		Completely covered	
Signal routing	Electric cable downwards		Electric cable sideways or downwards		Electric cable sideways or downwards		Air tubes in base plate	
Price	562€, fully discountable		407€, fully discountable		407€, fully discountable		250€, fully discountable	

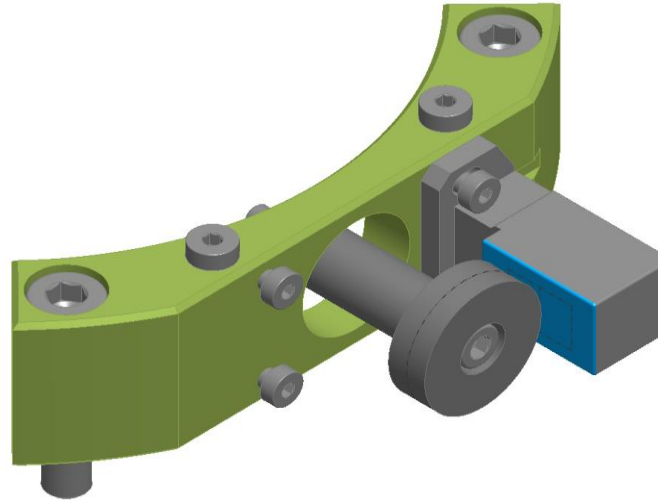
1945 - 2015  
**70**  
Jahre

## VERO-S modular monitoring system -ring-

Feature	monitoring PMI -inductive-		monitoring INI -inductive-		monitoring MMS -magnetic-	
						
Size/ID	99/1300177	138/1150690	99/1300172	138/1150691	99/1300176	138/1150692
Fastening	Fixed to module base body		Fixed to module base body		Fixed to module base body	
Settings	3 settings, OPENED/ CLAMPED; Recognizes clamping without clamping pin as error		3 settings, OPENED/ CLAMPED; Recognizes clamping without clamping pin as error		2 settings, OPENED/ CLAMPED	
Sensitivity to dirt	Cover plate protects the inside IP65 (sensor)		Cover plate protects the inside IP67 (sensor)		Completely covered IP67 (sensor)	
Signal routing	Electric cable downwards		Electric cable sideways or downwards		Electric cable sideways or downwards	
Price	562€, fully discountable		407€, fully discountable		407€, fully discountable	

1945 - 2015  
**70**  
Jahre

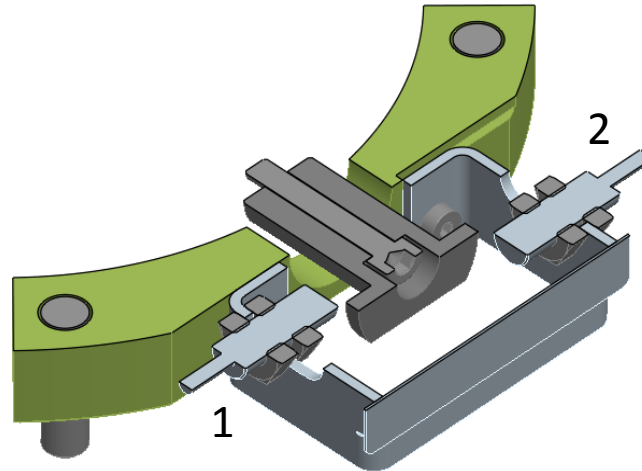
## VERO-S modular monitoring system PMI



- Monitoring segment incl. sensor will be fixed to base plate. (Ring on module base body)
- Switching flag has to be fixed to the clamping slide.
- OPENED and CLAMPED state is setted via a seperate teach-in device (will be done during the assembly). Clamping without clamping pin can be recognized.
- Cable led away just downwards possible.

1945 - 2015  
**70**  
Jahre

## VERO-S modular monitoring system INI



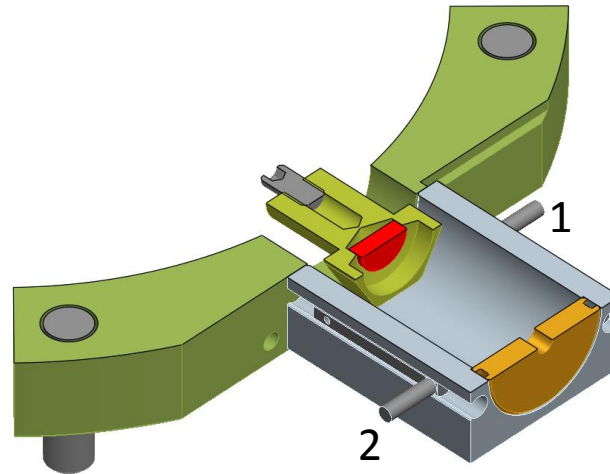
- Monitoring segment will be fixed to base plate. (Ring on module base body)
- Switching flag has to be fixed to the clamping slide.

Adjusting of both proximity switches, to ensure OPENED and CLAMPED state. → elongated holes

- CLAMPED state without clamping pin = proximity switch "1" lights up, proximity switch "2" off
- OPENED state = proximity switch "1" off, proximity switch "2" lights up
- CLAMPED state with clamping pin = proximity switch "1" lights up, proximity switch "2" lights up
- Cable led away sideways or through base plate.

1945 - 2015  
**70**  
Jahre

## VERO-S modular monitoring system MMS



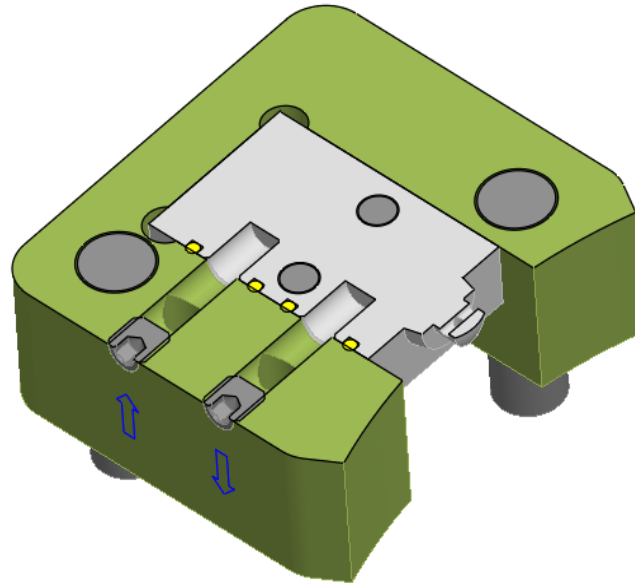
- Monitoring segment will be fixed to base plate. (Ring on module base body)
- Switching flag has to be fixed to the clamping slide.

Adjusting of both magnetic switches, to ensure OPENED and CLAMPED state. → c-slots

- CLAMPED state = magnetic switch "1" lights up, magnetic switch "2" off
- OPENED state = magnetic switch "1" off, magnetic switch "2" lights up
- Cable led away sideways or through base plate.

1945 - 2015  
**70**  
Jahre

## VERO-S modular monitoring system AFS

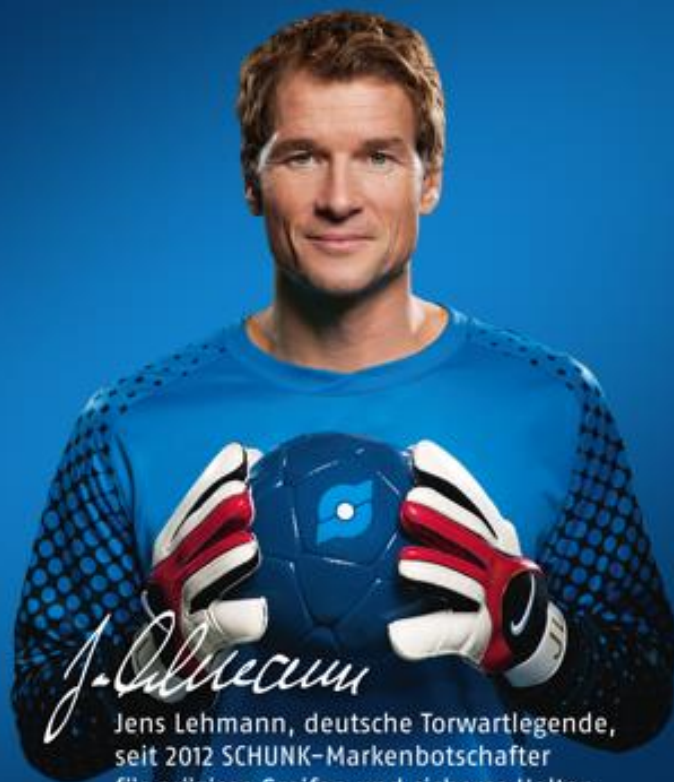


- Monitoring segment already assembled.
- Setting for OPENED state via dynamic pressure.
- No upgrading possible.

1945 – 2015  
**70**  
Jahre

Superior Clamping and Gripping

**SCHUNK** ®



*J. Lehmann*

Jens Lehmann, deutsche Torwartlegende,  
seit 2012 SCHUNK-Markenbotschafter  
für präzises Greifen und sicheres Halten.  
[www.de.schunk.com/Lehmann](http://www.de.schunk.com/Lehmann)

