



Accessories concept - Power supply and control *Product Family Mechatronic Alternative*

Benedikt Janßen | Product management gripping systems | April 2019

Superior Clamping and Gripping



Version

Version 1.2

Date: 16.04.2019

Instructions

This presentation and the overview of the supply concept only provide information on the listed products schematically. The documents are not a project planning support or even a substitute for project planning.

Our internal sales team would be happy to assist you in design and project planning of the components.

General information about the supply matrix

The supply matrix is a sales support tool to support the customer in the field of power supply and control optimally.

The matrix includes the following products:

- Distributor for power and signals
- Cables and wires for power and signals
- Accessories (power supply unit, break chopper, male connectors, adapter)

Following basic requirements are given:

- The distributors have all plug connectors in size M12

Manufacturer and delivery times:

The preferred manufacturer is Phoenix Contact, power supply units are delivered by Block, the break chopper is from Faulhaber. The delivery time is usually 1 to 3 weeks (faster on request → please contact the technical sales team).

Usage of the matrix

- The matrix is available in the table format as a PDF file.
- The prices can be found in the SAP, including the sales texts
- The numbers displayed in the presentation are linked to the Excel table
 - Number in the presentation corresponds to the first table column

Location of the supply matrix in PDF format

→ SalesToolBox → ELP → Document → Internal Documents

Location of the presentation about the supply matrix

→ SalesToolBox → ELP → Document → Presentation

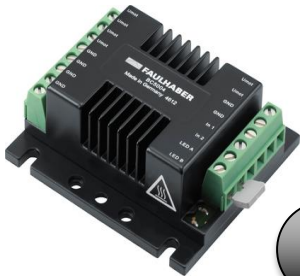
Power supply unit and break chopper



1

Actuator power supply unit (Manufacturer: Block)

- Single phase power supply unit PC-0124-XX0-0 with nominal current 5, 10 or 20 A
- Three phase power supply unit PC-0324-400-0 with nominal current 40 A



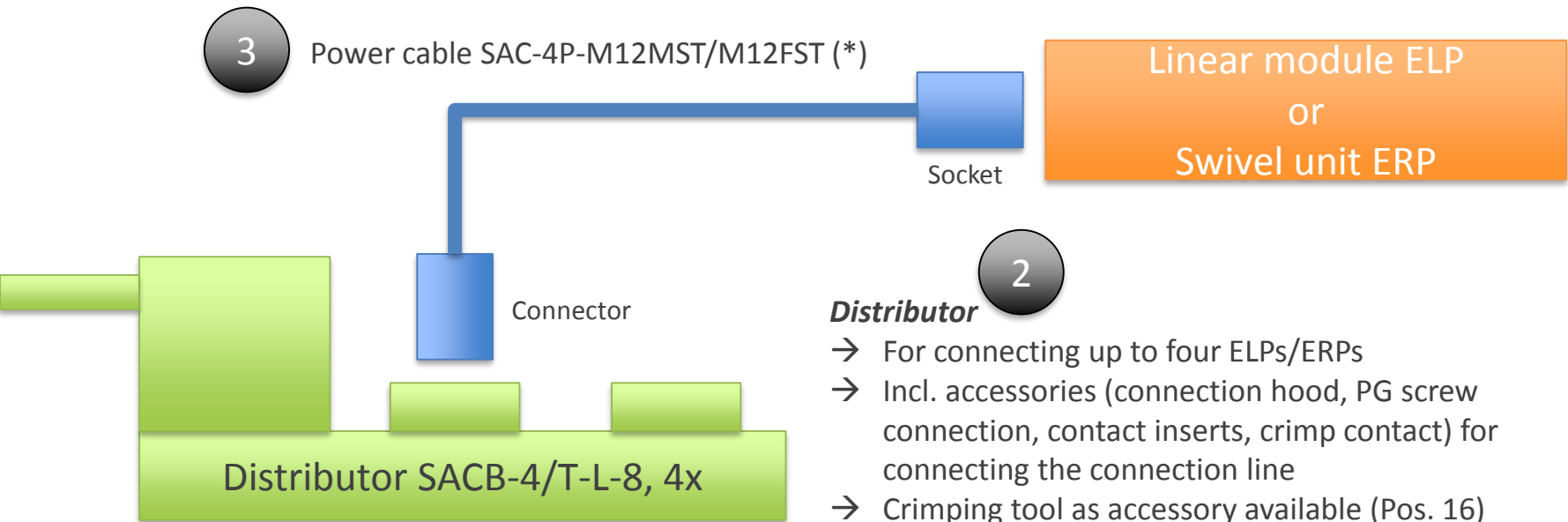
6

Break chopper for ELP 100 (Manufacturer: Faulhaber)

- Break chopper BC5004, max. Current 10 A

Power supply for linear module ELP/ERP

The ELP/ERP is equipped with a M12-T-coded connector for the connection of the power supply. The power supply is divided in the power supply for logic and for the motor. Outside of the control cabinet the GND of power and logic must be routed separately.



(*) Alternatively, cables and connectors are available for self-assembly

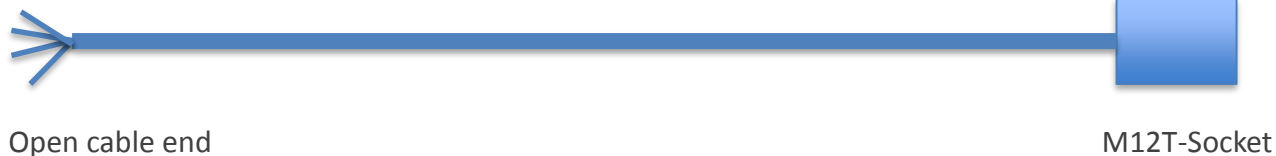
Power supply

- *self-assembly* -

M12-T-coded line for connection to the ELP/ERP

4

→ Power cable SAC-4P-M12FST



Plug connector M12-T-coded

→ Socket SACC-M12FST

5

... for connection to the ELP/ERP

Plug connector M12-T-coded

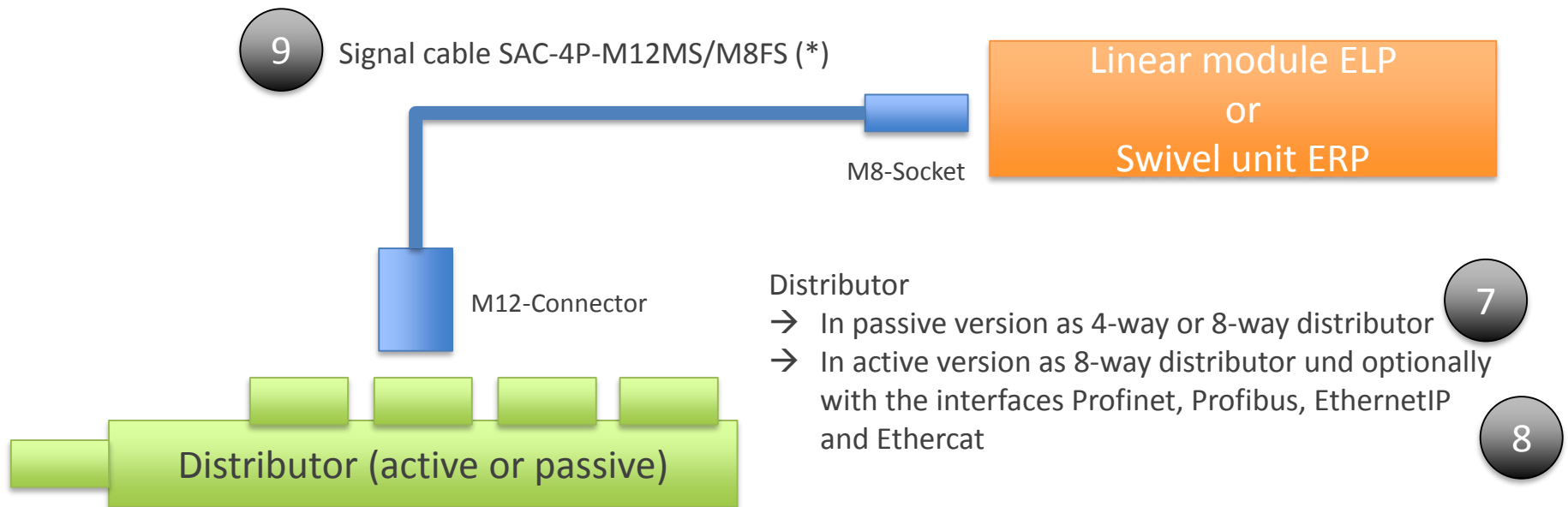
→ Connector SACC-M12MST

5

... for the assembly of the power cable

Signal supply ELP/ERP

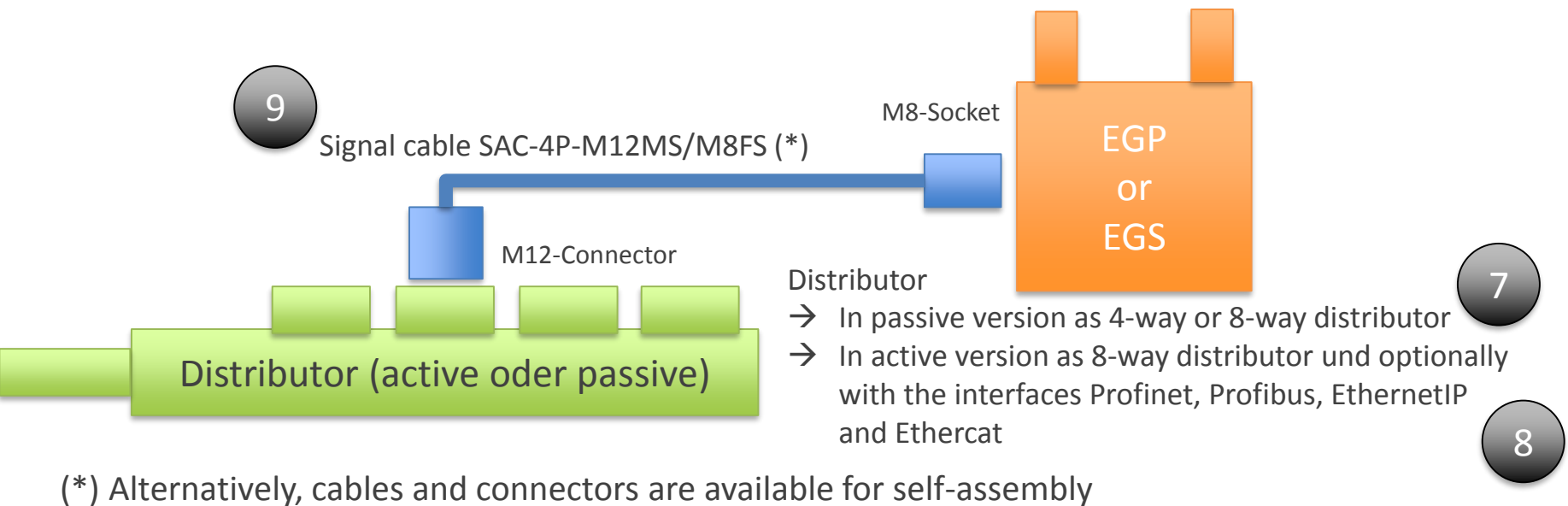
The ELP/ERP is controlled by two digital signals and the M8 connector (4-pin)



(*) Alternatively, cables and connectors are available for self-assembly

Power- / Signal supply EGP and EGS

The control and the voltage supply of the modules EGP and EGS is made by two digital signals and the M8 connector (4-pin) on the product.



Notice to the use of ACTIVE-Distributor

The max. current consumption at the active distributors allows the operation of the following products: EGP 25, EGS 25 (all versions) .

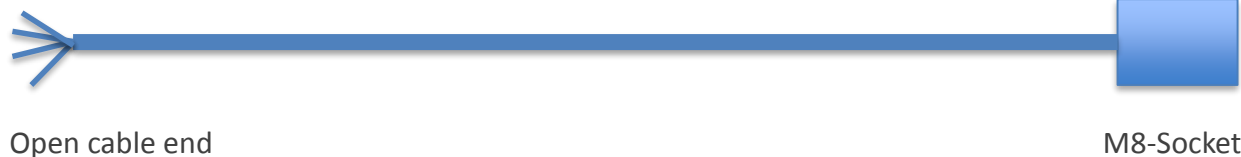
Other sizes must be supplied seperately. Please note that the power supply of the products has the same potential as the control signals.

Power- / Signal supply

- *self-assembly* -

Cable M8 4-pin for connection to the ELP, ERP, EGP or EGS

→ Signal cable SAC-4P-M8FS



Connector M8 4-pin

→ Socket SACC-4P-M8FS

...for direct connection to the products

13

Connector M8 4-pin

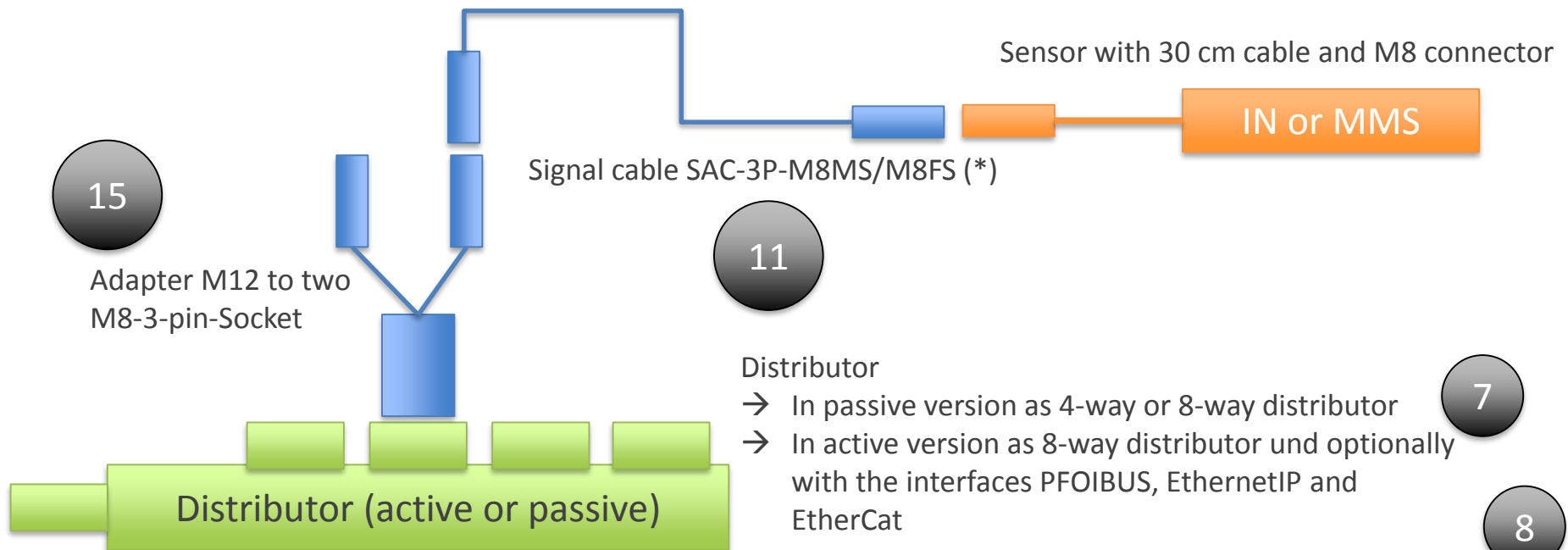
→ Connector SACC-4P-M8MS

...for assembly of the signal cable

13

Signal supply of sensors MMS / IN

In contrast to the products ELP, ERP, EGP and EGS the signal supply and voltage supply is standardized via a M8 connector (3-pole) or a three-core cable.



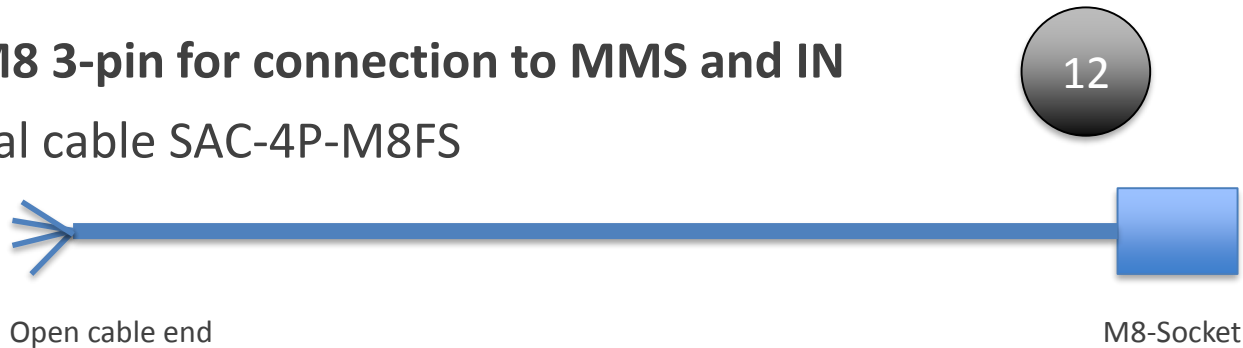
(*) Alternatively, cables and connectors are available for self-assembly

Power- /Signal supply

- self-assembly -

Cable M8 3-pin for connection to MMS and IN

→ Signal cable SAC-4P-M8FS



Connector M8 3-pin

→ Socket SACC-3P-M8FS

...for direct connection to the products



Connector M8 3-pin

→ Connector SACC-3P-M8MS

...for assembly of the signal cable



Contacts for further information

Mechatronics product family Alternative

Kyle Kippenbrock

+49-7133-103-2185

kyle.kippenbrock@de.schunk.com

Mechatronic periphery (Cable etc.)

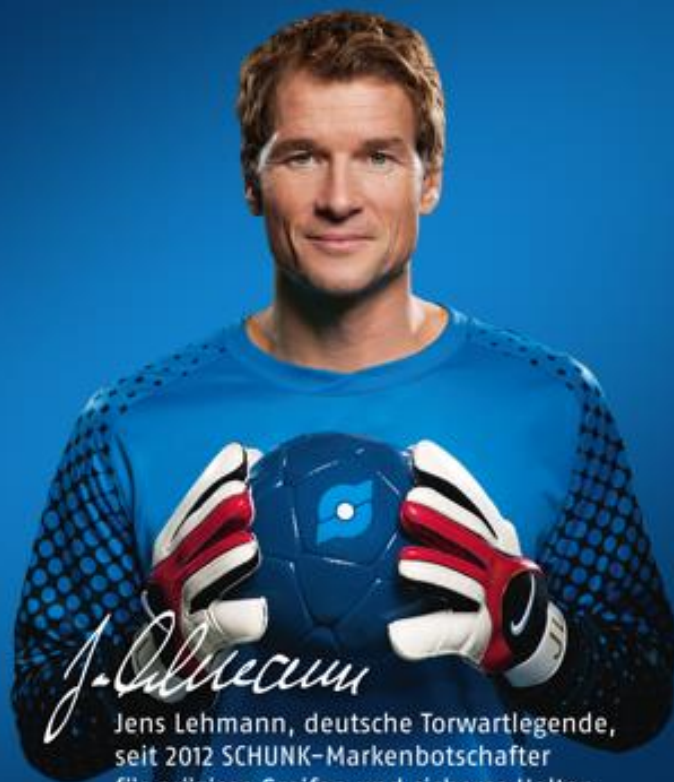
Benedikt Janßen

+49-7133-103-2243

benedikt.janssen@de.schunk.com

Superior Clamping and Gripping

SCHUNK ®



J. Lehmann

Jens Lehmann, deutsche Torwartlegende,
seit 2012 SCHUNK-Markenbotschafter
für präzises Greifen und sicheres Halten.
www.de.schunk.com/Lehmann

