



# KONTEC KSX-C

Power-amplified 5-axis Clamping Vise with adjustable Clamping Center

Superior Clamping and Gripping



# KONTEC KSX-C



# KONTEC KSX-C

## General information

### **5-Axis Clamping Vise with adjustable Clamping Center**

The force amplified 5-axis power vise KONTEC-KSX-C enables the clamping center to be adjusted to the machine table. This adjustability combined with optimal accessibility makes the vise even more flexible for 5-axis complete machining.

# KONTEC KSX-C

## Product features

The new SCHUNK KONTEC KSX-C distinguishes itself by ....

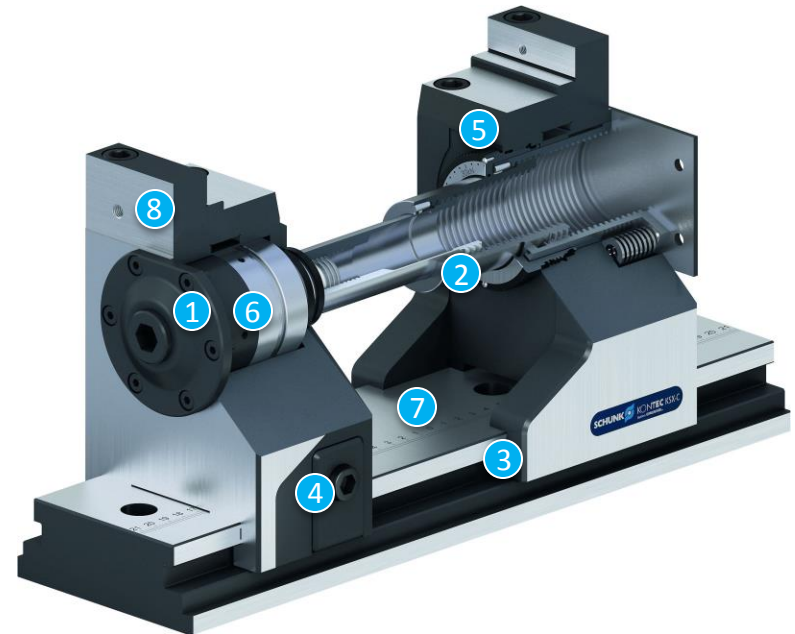
- Individual adjustment of the clamping center
- Continuous adjustment of the clamping force
- Lever quick-clamping
- Optimum accessibility
- Spindle on top
- Large range of system and top jaws
- Expandable clamping range due to draw bar extension



# KONTEC KSX-C

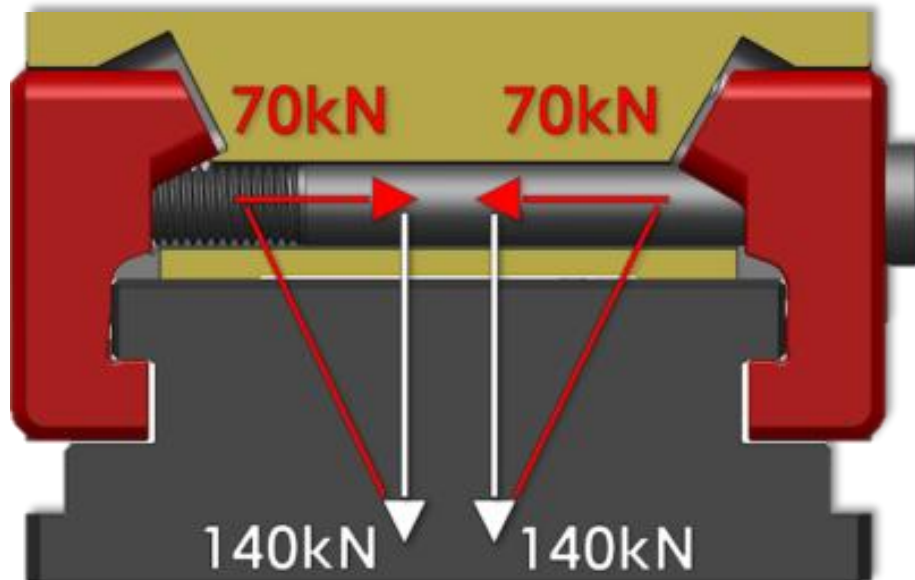
## Cutaway view

- ① Actuating via hexagon connection
- ② Completely encapsulated spindle
- ③ Long jaw guidance
- ④ Jaw clamping via hexagon connection
- ⑤ Continuous clamping force adjustment
- ⑥ Mechanical force transmission
- ⑦ Lasered scale
- ⑧ Standard chuck jaw interface



# KONTEC KSX-C

## Innovation I Unlocking of the mobile fixed jaw

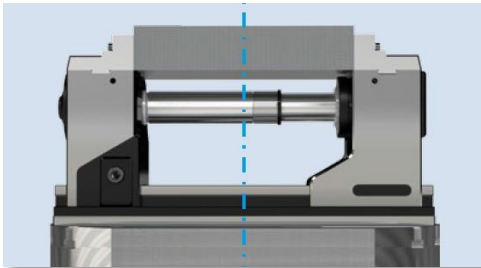
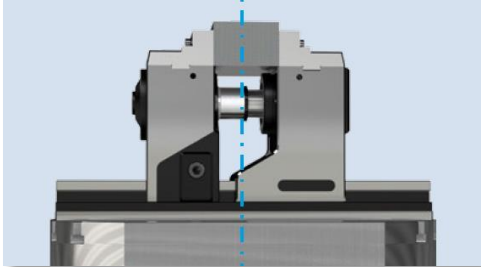


Customer query: fixed by only 1 screw – is this safe ?

Answer: Yes, the holding force of the fixed jaw is nearly identical as the KSX force (with 4 screws)  
(double effective screw = double holding force Kraft) | (inclined surface = double force)

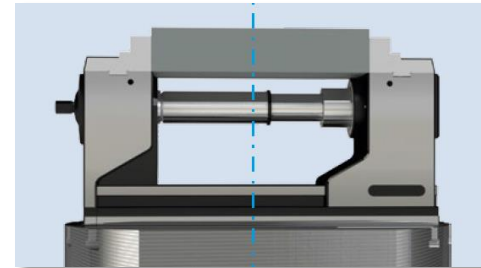
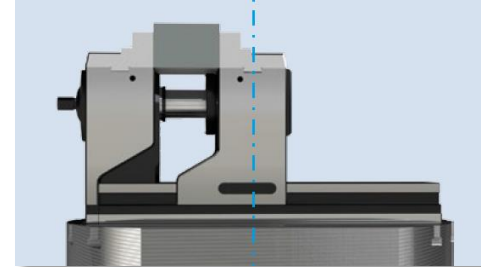
# KONTEC KSX-C

## Product features



### KONTEC KSX-C Application

- Centric adjustment to the table center
- Optimal for 5-axis simultaneous milling
- Perfect accessibility from all sides



### KONTEC KSX Application

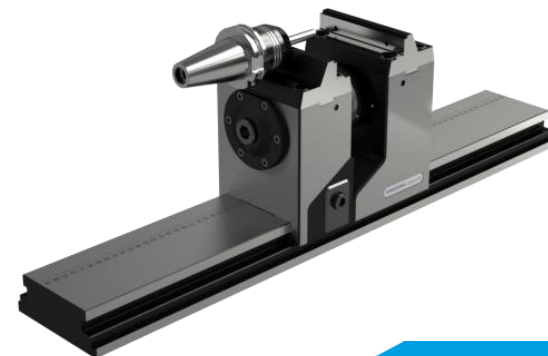
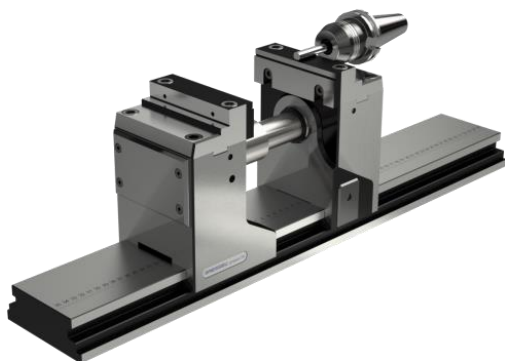
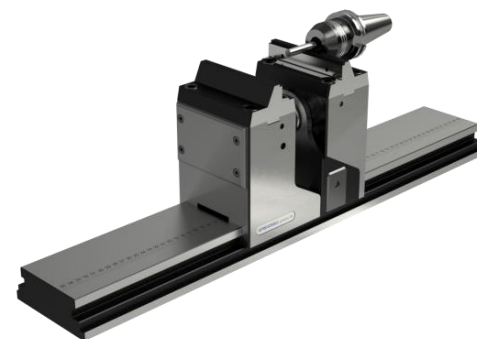
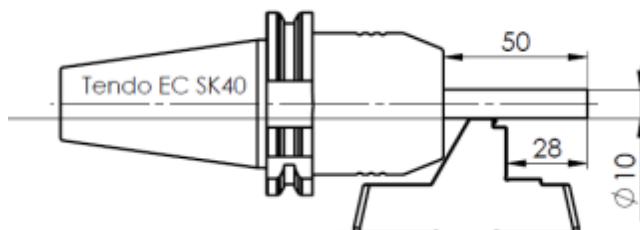
- Fixed (zero point) always the same position
- Position not changeable
- Perfect accessibility from all sides

# KONTEC KSX-C

NEW

Accessibility with standard top jaw

Accessibility with 5A Top jaw 125mm



# KONTEC KSX-C

## Mounting

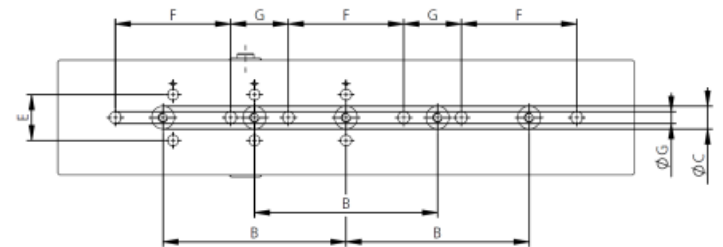
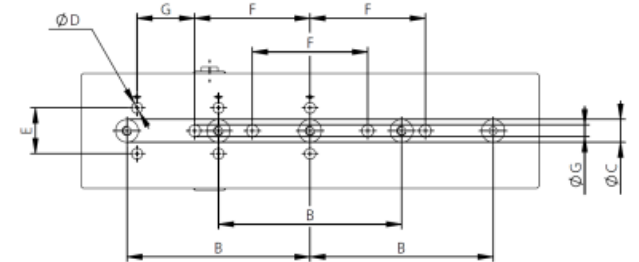
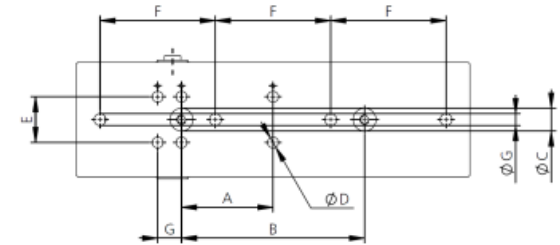
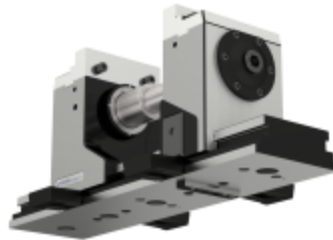
With clamping claws



With clamping bolts



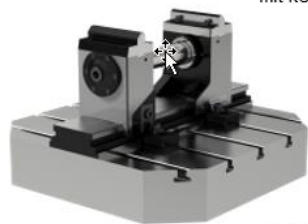
With centering set and screws through the base body



# KONTEC KSX-C



## Mountings



**DMC 60 H linear 500x500**  
mit KONTEC KSX-C L-500



**DMC 60 H linear 500x500**  
mit 2x KONTEC KSX-C L-500



**DMC 80 H linear 630x630**  
mit KONTEC KSX-C L-630

**DMC 80 H linear 630x630**  
mit 2x KONTEC KSX-C L-500

**DMU 65 monoBLOCK Ø650**  
mit KONTEC KSX-C L-630

**DMU monoBLOCK Ø650**  
mit 2x KONTEC KSX-C L-500



**DMU 75 monoBLOCK Ø650**  
mit KONTEC KSX-C L-630



**DMU 75 monoBLOCK Ø650**  
mit 2x KONTEC KSX-C L-500



# KONTEC KSX-C



## Mountings

**HERMLE C22 Ø450x360**  
mit KSX-C L-430



**HERMLE C32 Ø450x360**  
mit KSX-C L-430



**HERMLE C32 Ø650x540**  
mit KSX-C L-630



**HERMLE C32 Ø650x540**  
mit 2x KSX-C L-500



**HERMLE C42 Ø420**  
mit KSX-C L-430



**HERMLE C42 Ø440**  
mit KSX-C L-430



**HERMLE C42MT Ø750**  
mit KSX-C L-630



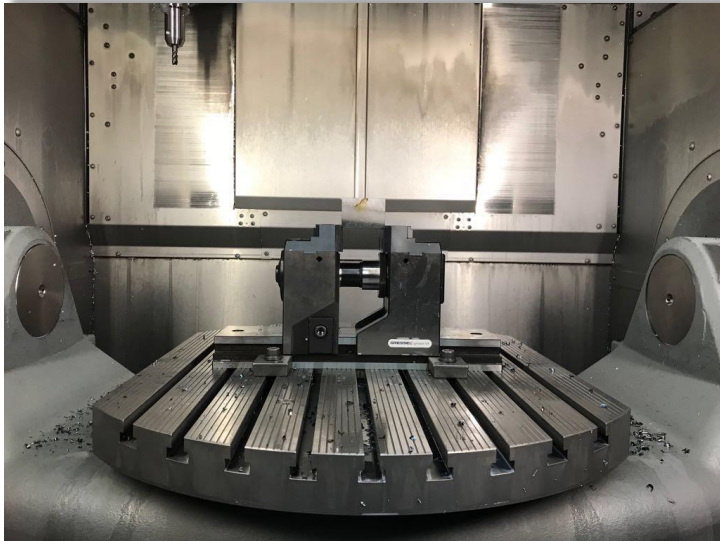
**HERMLE C42MT Ø750**  
mit 2x KSX-C L-630



**HERMLE C42 Ø800x630**  
mit KSX-C L-630



# KONTEC KSX-C



# KONTEC KSX-C



## Mountings

**GROB G-350 Ø570**  
mit KSX-C L-500



**GROB G-350 Ø570**  
mit KSX-C L-500



**GROB G-550 630x630**  
mit KSX-C L-630



**GROB G-550 630x630**  
mit KSX-C L-630



# KONTEC KSX-C

## Technical data and availability

	ID	Jaw width	Height	Clamping force	Weight	Available from
		[mm]	[mm]	[kN]	[kg]	
KSX-C 125-430	1322981	125	174	4 – 40	36	<b>October 2017</b>
KSX-C 125-500	1322982	125	174	4 – 40	38,5	<b>October 2017</b>
KSX-C 125-630	1322983	125	174	4 – 40	43	<b>October 2017</b>

# KONTEC KSX-C

## Sales Price

	KSX low L300	KSX-C L430	KSX-C L500	KSX-C L630
Vise	2.601	3.193	3.344	3.625
Top jaw standard	660	660	660	660
Top jaw twisted	Incl.	Incl.	Incl.	Incl.
Clamping claws	Incl.	58	58	58
Crank	Incl.			
	3.261	3.911	4.062	4.343

### Attention in comparison of prices:

Hoffmann is in need of 4 system jaw, not only 2 (plus torque wrench and wrench socket) for the same performance.

Superior Clamping and Gripping

**SCHUNK** ®



*J. Lehmann*

Jens Lehmann, German goalkeeper legend,  
SCHUNK brand ambassador since 2012  
for safe, precise gripping and holding.  
[schunk.com/Lehmann](http://schunk.com/Lehmann)

