



Media Coupling

Superior Clamping and Gripping



VERO-S Media Coupling

Automation without media feed thru

VERO-S Media Coupling

Automation without media feed thru



VERO-S Media Coupling

Automation without media feed thru

VERO-S NSL3 200 with Media Coupling
On a machine table without media feed thru



VERO-S Media Coupling

Automation without media feed thru

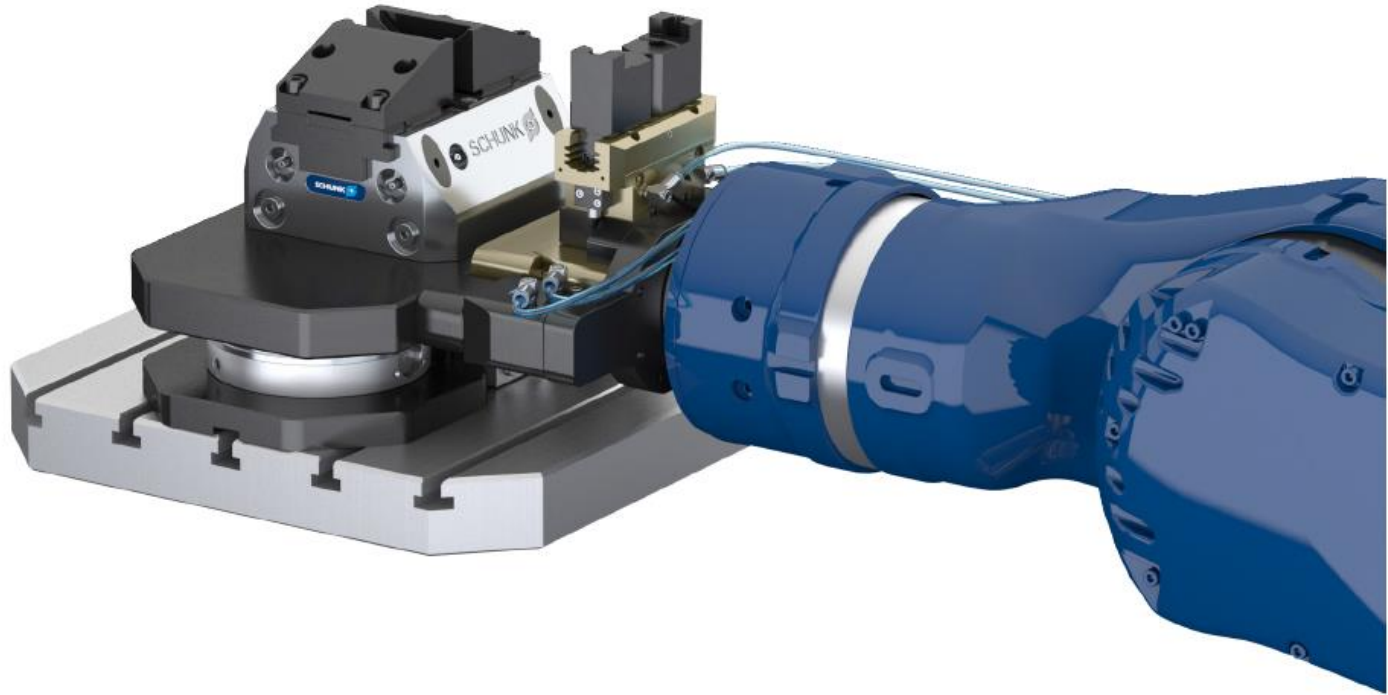
Robot opens the clamping station via Media Coupling



VERO-S Media Coupling

Automation without media feed thru

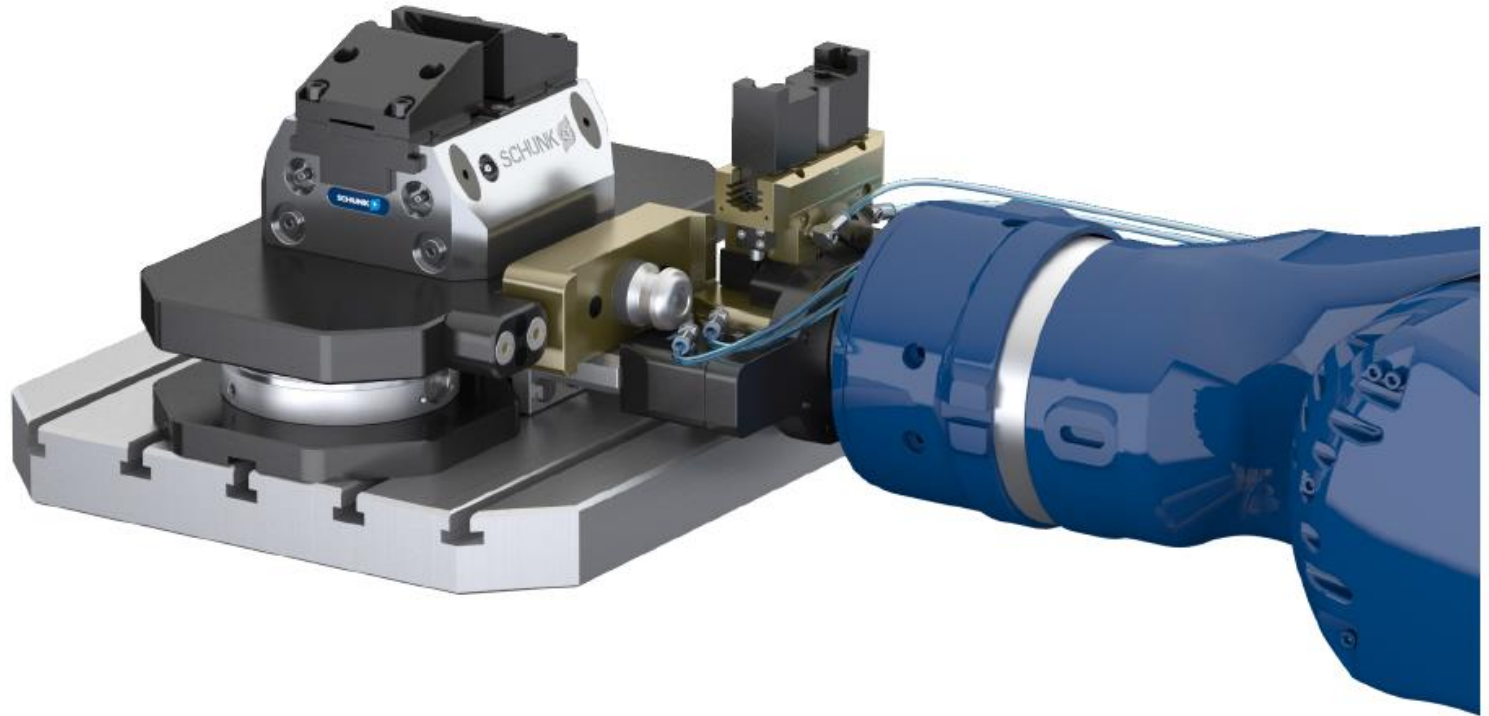
Automated loading of the clamping station
Opening clamping device



VERO-S Media Coupling

Automation without media feed thru

Robot drives and locks the clamping station



VERO-S Media Coupling

Automation without media feed thru

Automated workpiece loading



VERO-S Media Coupling

Automation without media feed thru

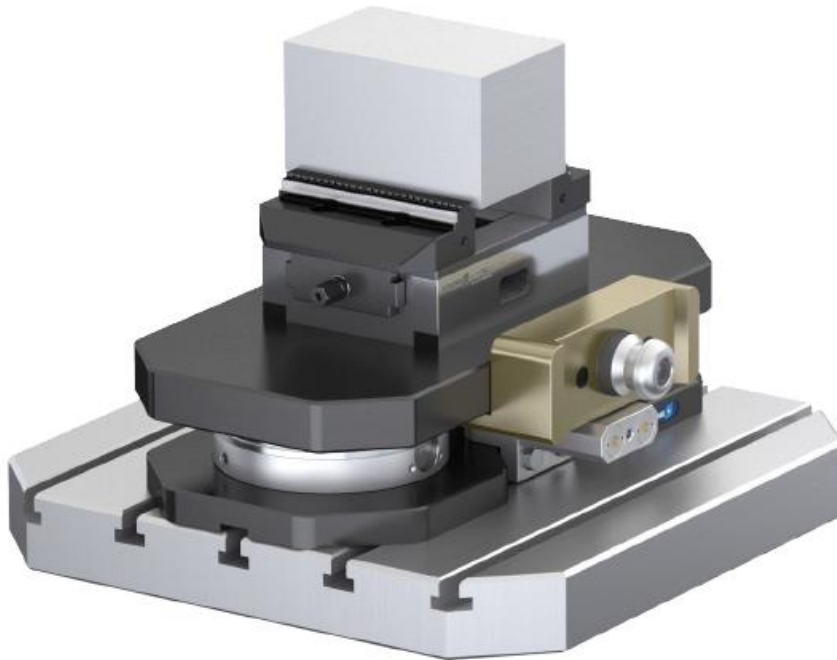
Robot locks clamping device



VERO-S Media Coupling

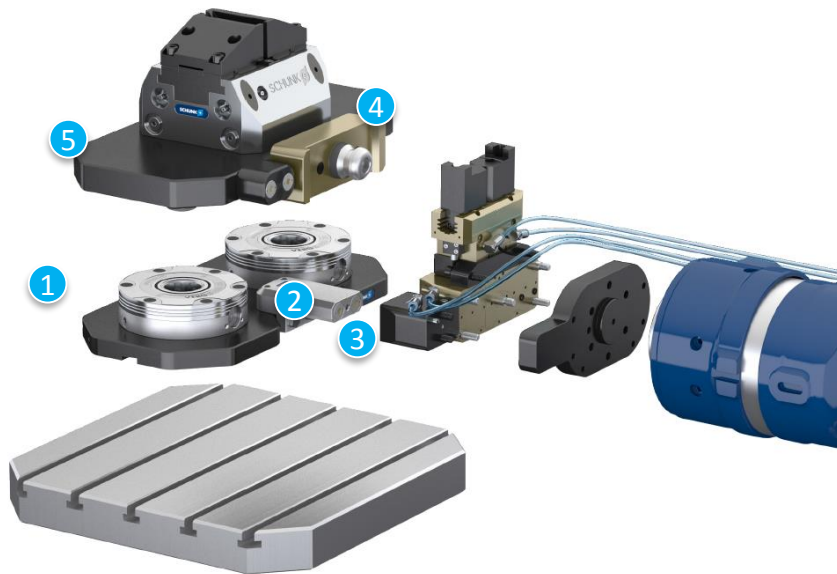
Automation without media feed thru

NSL3 for pallet loading with mechanical
Clamping System KONTEC KSC



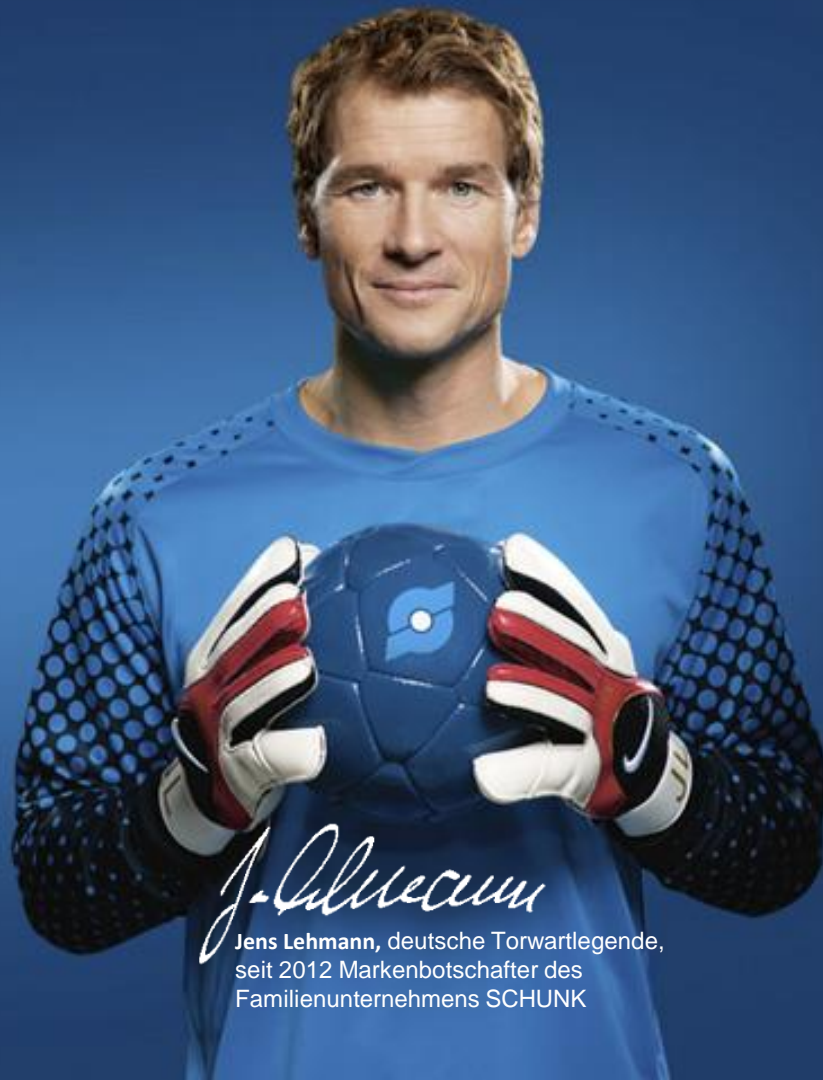
VERO-S Media Coupling

Automation without media feed thru



- ① VERO-S NSL3 200
- ② Media Coupling
- ③ Coupling nipple
- ④ Robot coupling
- ⑤ Pallet with TANDEM KSP plus

Superior Clamping and Gripping



J. Lehmann

Jens Lehmann, deutsche Torwartlegende,
seit 2012 Markenbotschafter des
Familienunternehmens SCHUNK



www.schunk.com