

ROTA NCM-L

Hybrid Chucks

Superior Clamping and Gripping



Product overview



Gripping Systems

Clamping Technology



Chuck Jaws



Stationary Workholding



Lathe Chucks



Toolholders



Hydraulic Expansion Technology



Manual Lathe Chucks



Power Lathe Chucks with Jaw Quick-change System



Power Lathe Chucks with Through-hole



Power Lathe Chucks without Through-hole



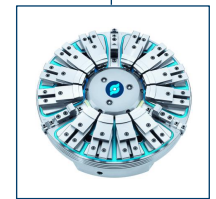
Pneumatic Power Chucks



Steady Rests



Quick-change Systems



Customized Solutions

ROTA overview

Customized Solutions

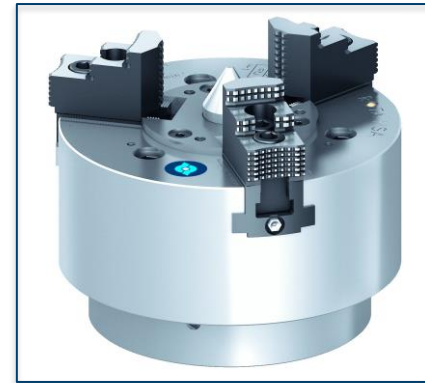
ROTA NCM



ROTA NCM-L



ROTA HSA



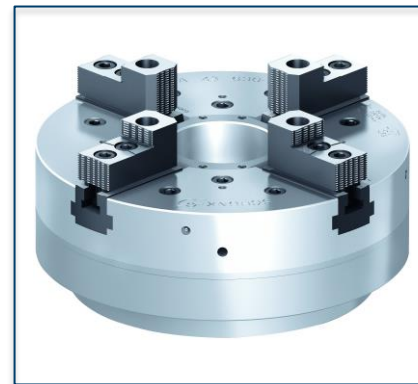
ROTA DFF



ROTA BEV



ROTA 4B



ROTA HSH



ROTA NCM-L

Example of application



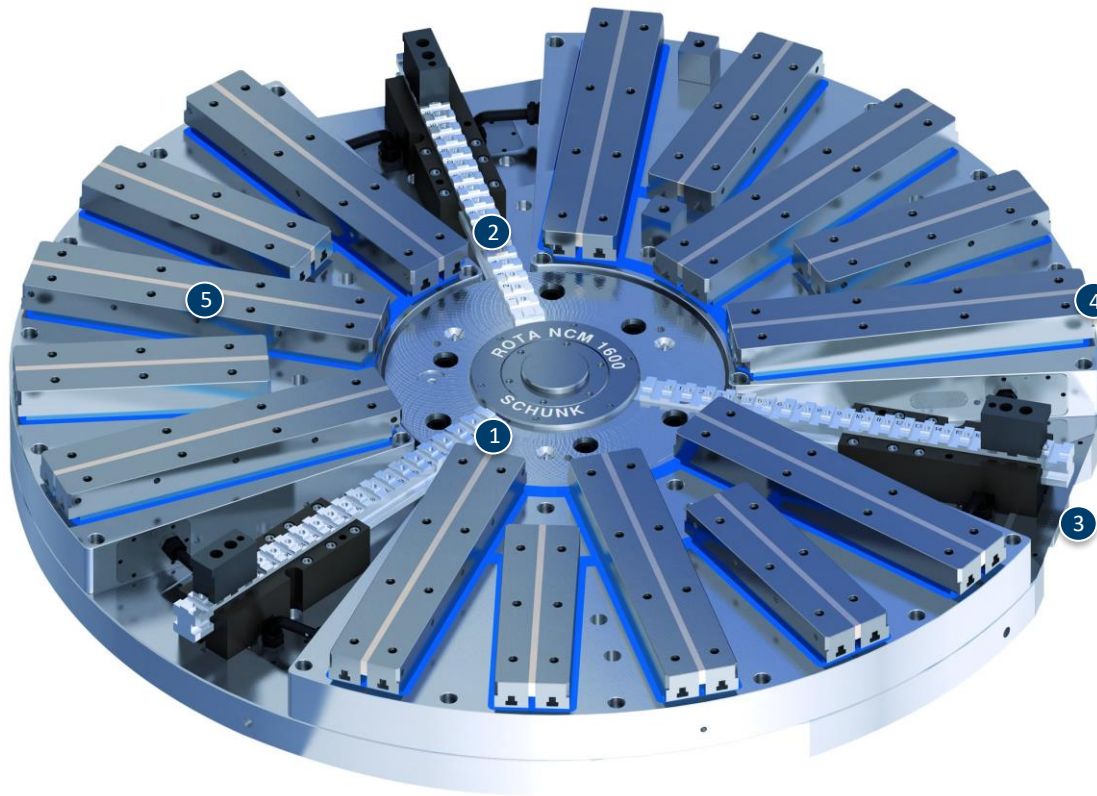
Clamping device:

NCM-L 1600.

Features/Application:

The workpiece is centered via the integrated manual chuck and clamped via the magnetic chuck. Thin-walled rings can be clamped with minimum deformation.

ROTA NCM-L



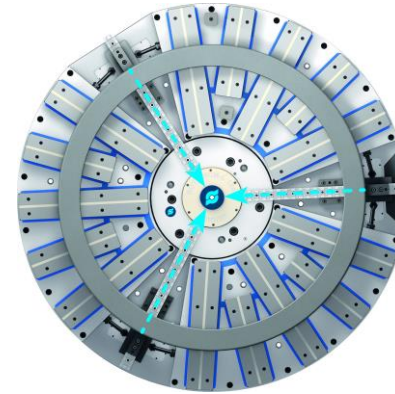
- ① Centering chuck type ROTA-S plus
- ② Long base jaws with standard jaw interface
- ③ Power supply
- ④ Actuation of the ROTA-S plus
- ⑤ Overwound/exchangeable pole shoes

ROTA NCM-L

Secure hold due to permanent magnets and deformation-free clamping



Centered in seconds



Control unit (external)



Variants ROTA NCM-L

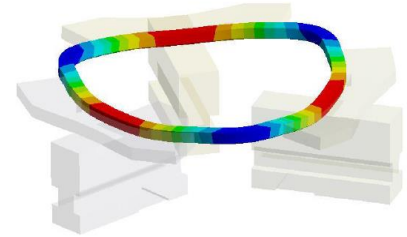
Technical Data	Centering force [kN]	Magnet clamping range [mm]	Centering chuck	Number of centering jaws [Nm]	Height [mm]
ROTA NCM-L 630	40	180-630	ROTA-S plus 2.0 160	3	210
ROTA NCM-L 800	70	220-800	ROTA-S plus 2.0 200	3	210
ROTA NCM-L 1000	100	340-1000	ROTA-S plus 2.0 315	3	210
ROTA NCM-L 1500	150	525-1500	ROTA-S plus 500	3	210
ROTA NCM-L 2000	150	525-2000	ROTA-S plus 500	3	210
ROTA NCM-L 2500	150	525-2500	ROTA-S plus 500	3	210

SCHUNK Services



Engineering

- Dimensioning of special plates designed to the manufacturing specifications
- Development of special solutions together with the customer
- FEM analysis for critical components



Testing

- Endurance tests with all new developments
- Abrasion checking
- Measurement of accuracy



Service

- Initial operation of customer's solution
- Inspection and maintenance
- Repairs



Superior Clamping and Gripping



© 2021 SCHUNK GmbH & Co. KG
schunk.com