

Applikationsbeispiele Achssysteme

Application examples axis systems

Bereich Greifsystemlösungen
Area gripping system solutions

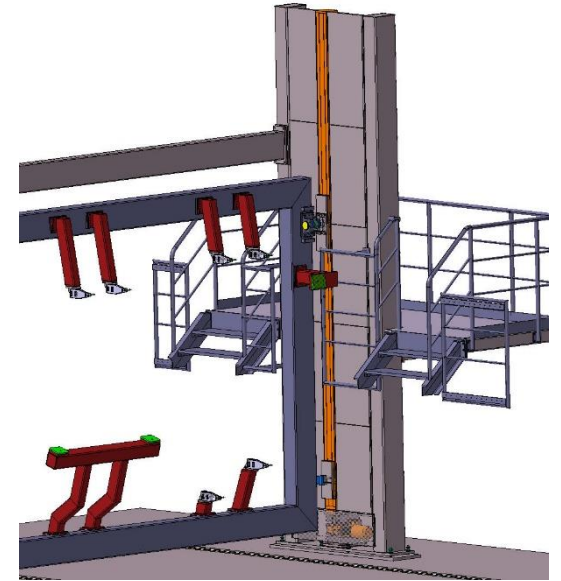
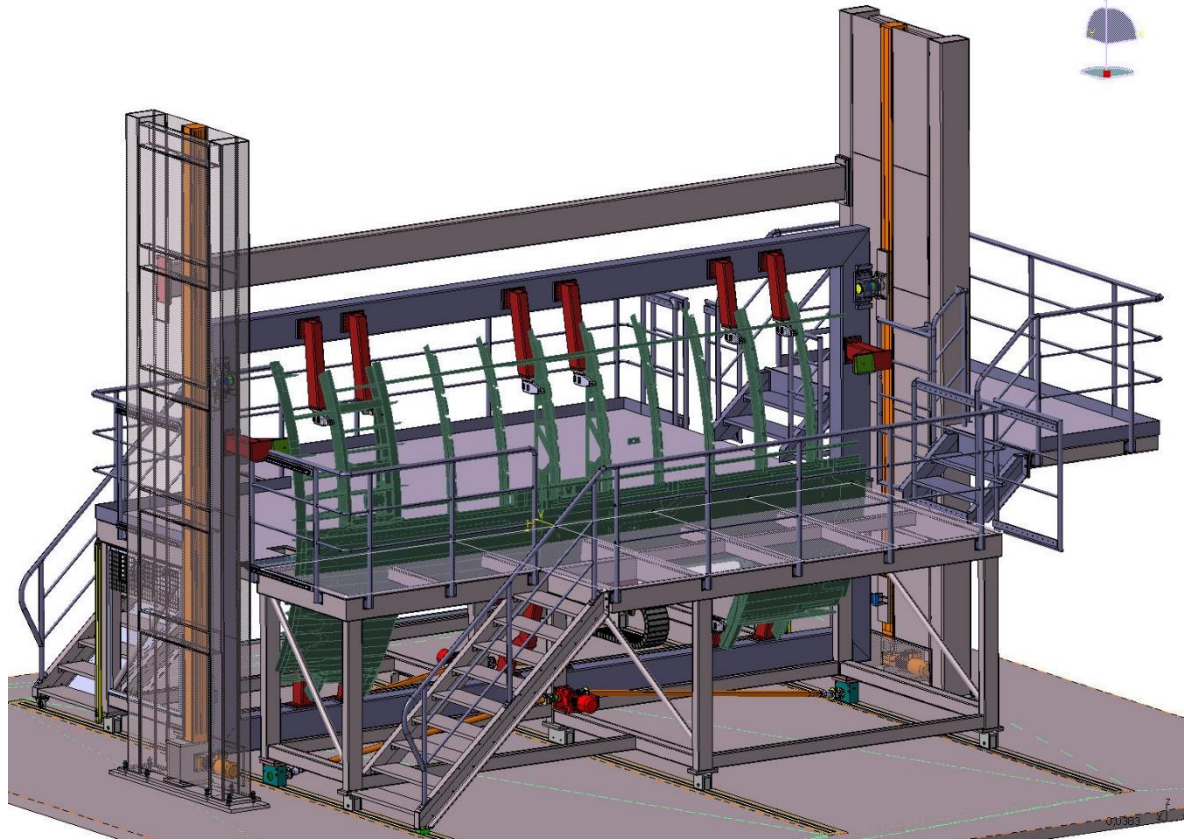
Superior Clamping and Gripping



Use cases

- Aerospace
- Automotive
- Electronics
- Manufacturing
- Gripping
- Logistics
- Assembly
- Pharma
- Pick & Place
- Inspection
- Machine tools

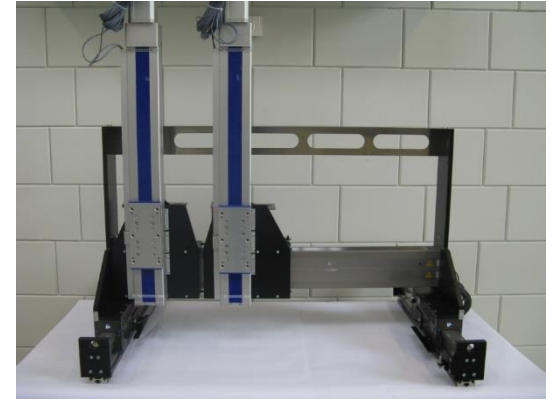
Lifting system



Aerospace



B165-SSS



Automotive



LDM-EL

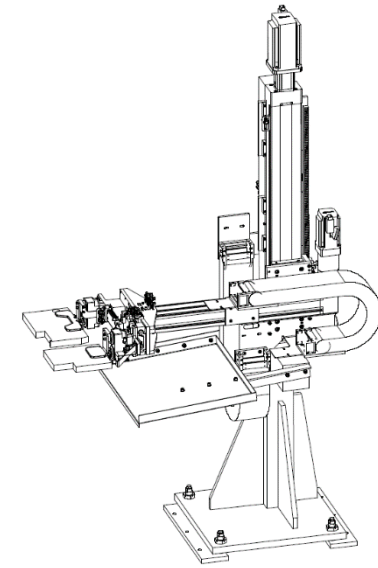


LDN-UL



B100-D-SSS

Linear-gripping unit



Automotive



B140-SSS

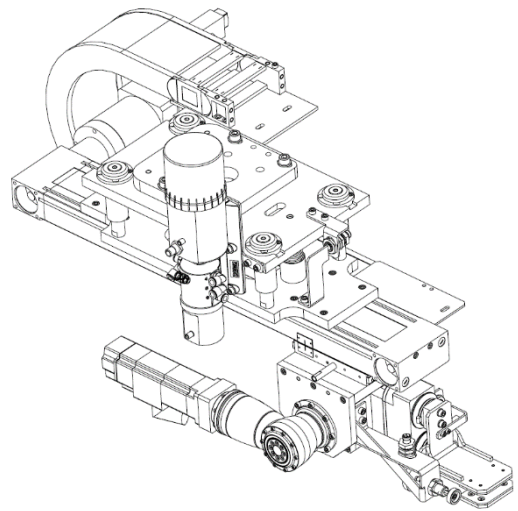
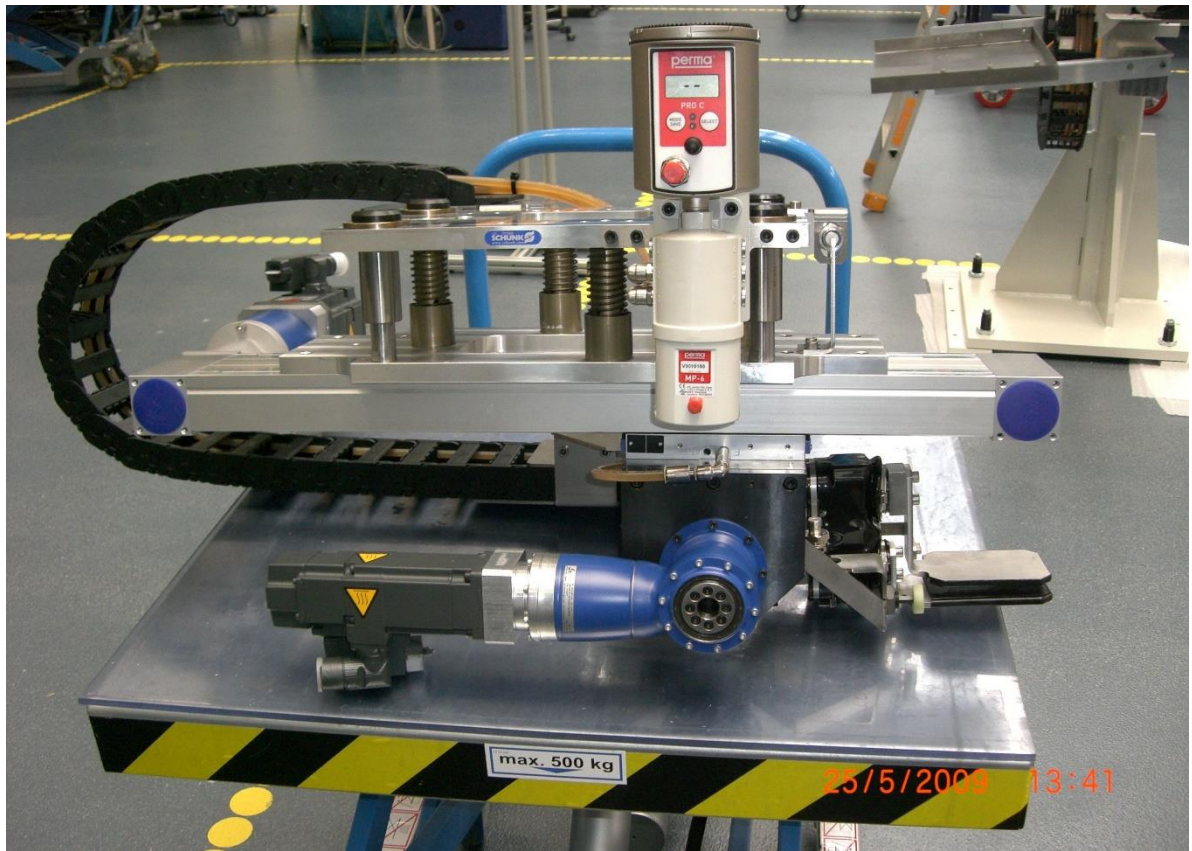


D145-DHE



PGN+100

Linear-rotary-gripping unit



Automotive

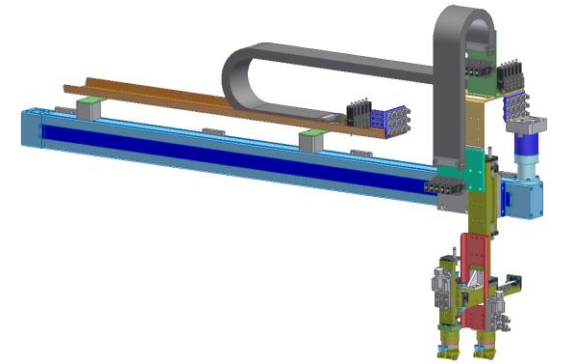


PGN+125



D110-ZSS

Two-gripper-system



Automotive



AGE



B110-D-ZSS



B110-D-SSS

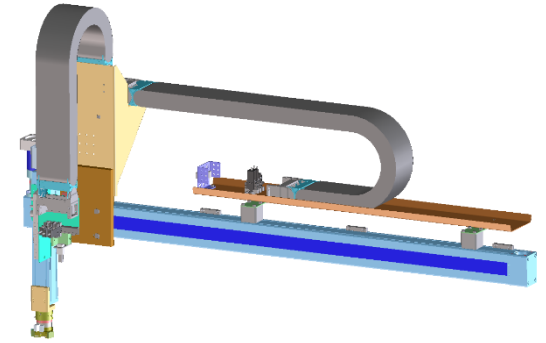


LM-50



PZN+50

One-gripper-system



Automotive



PZN+50



B60-SSS

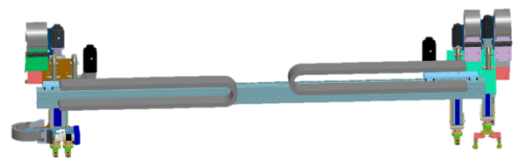
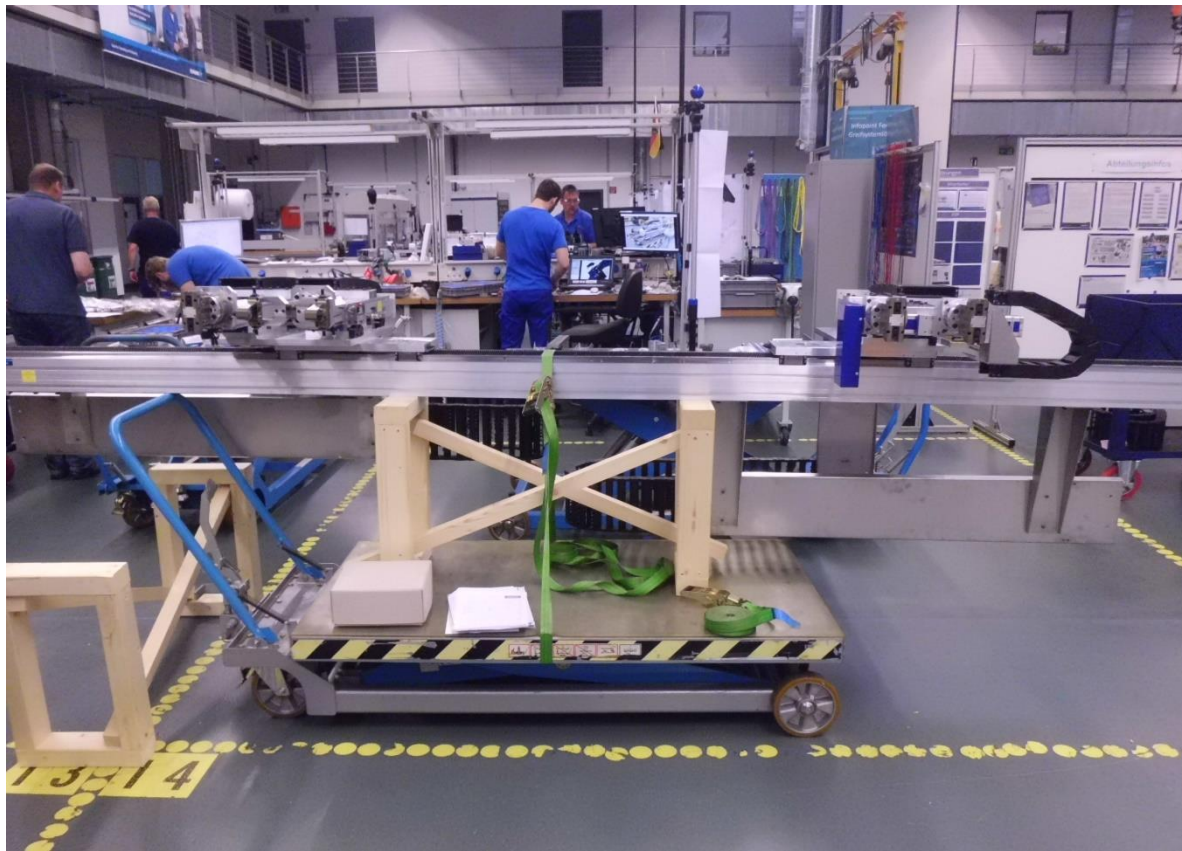


B100-D-ZSS



AGE

Linear gantry



Automotive



AGE



B100-D-SSS



G160-AZSS

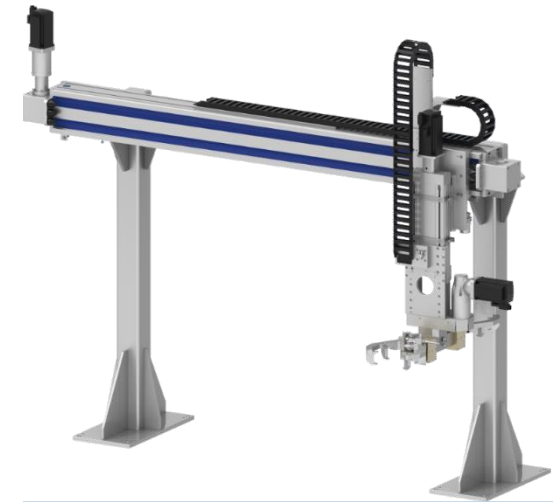


D145-C-SSS



PGN+100

Linear-stroke-gripping unit



Automotive



D240-SSS

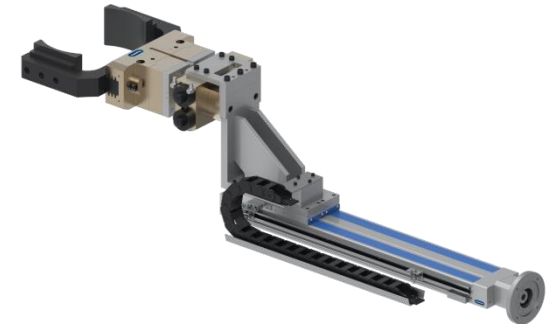


G280-SSS



PFH-50

Linear-rotary-gripping unit



Automotive



SRU+50

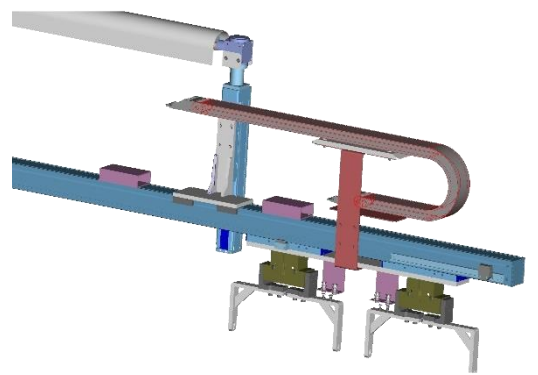
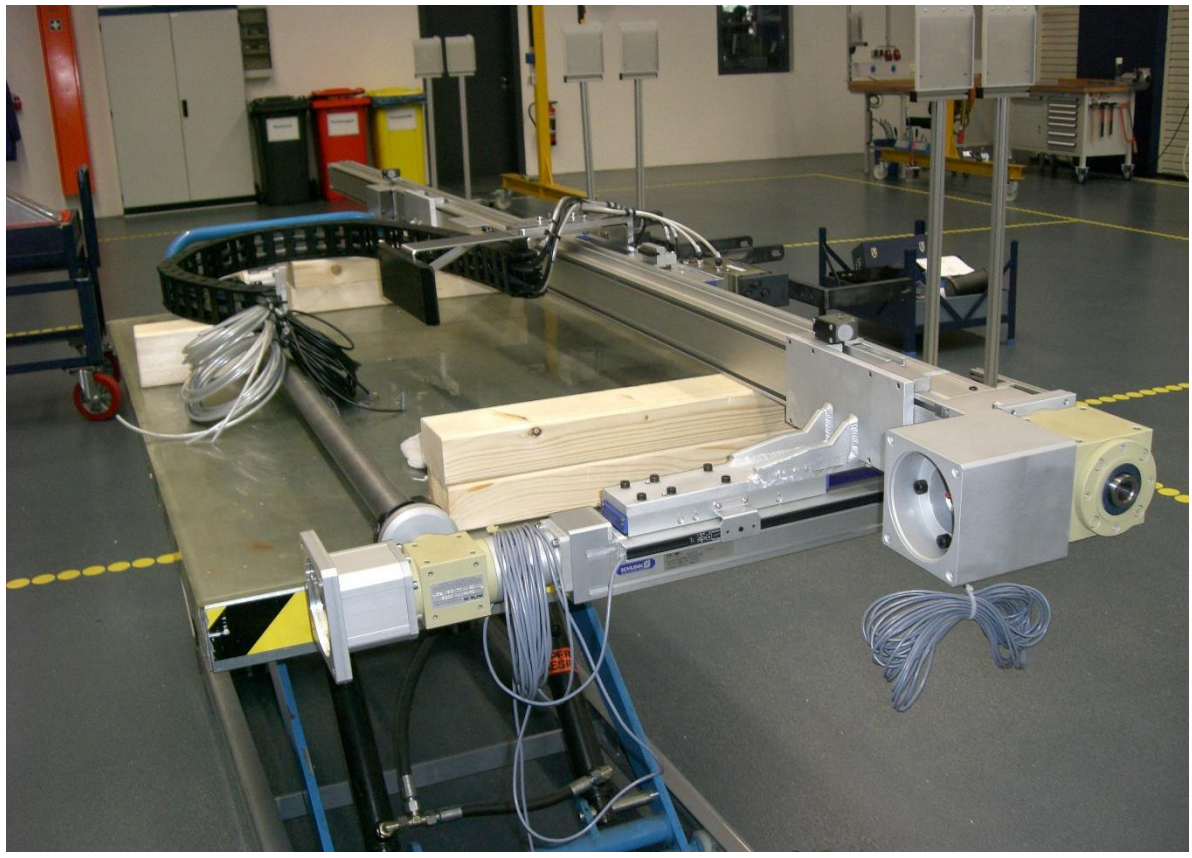


D145-SSS



PGN+300

Loading device



Automotive



B60-SSS

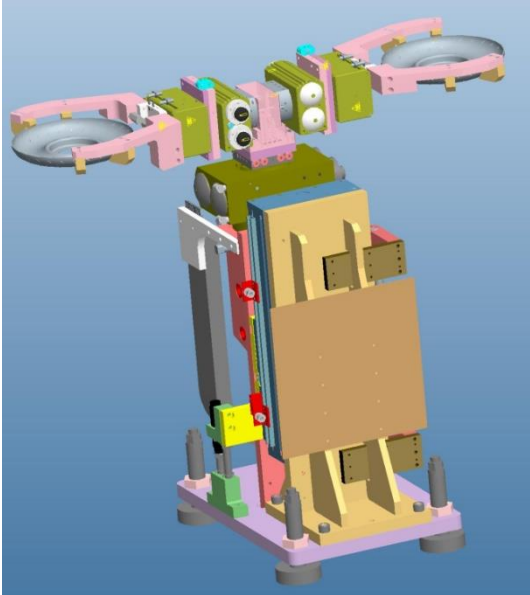
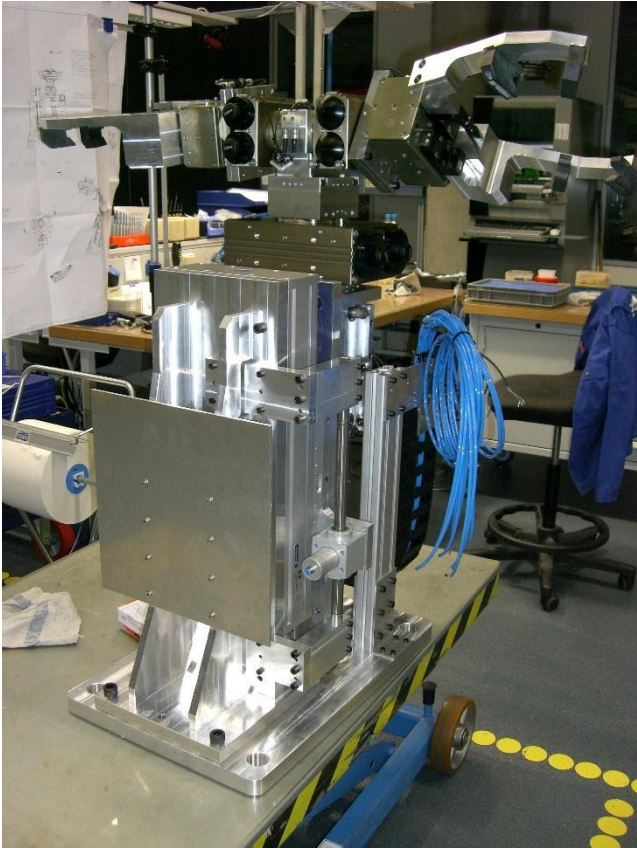


B80-SSS



DGP+125

Handling system for turbines



Automotive



PFH-40



SRU+60

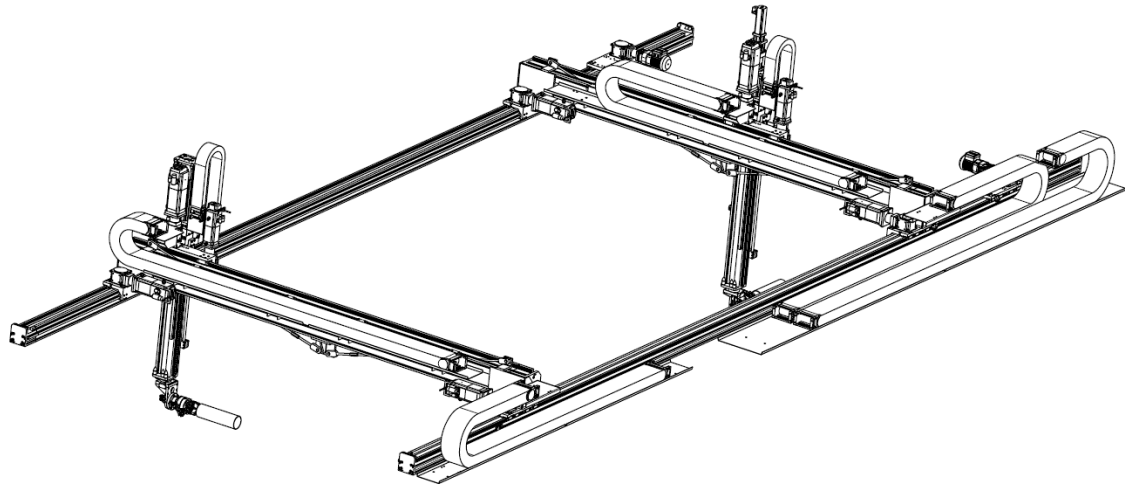


D240-OSS



SRU+40

Linear-rotary-gripping system for crankshafts



Automotive



PGN+125



G280-AZSS



G160-AZSS

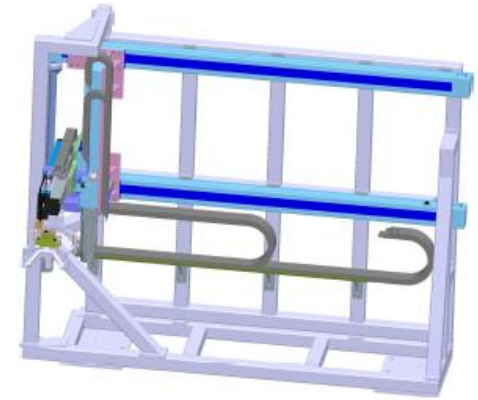
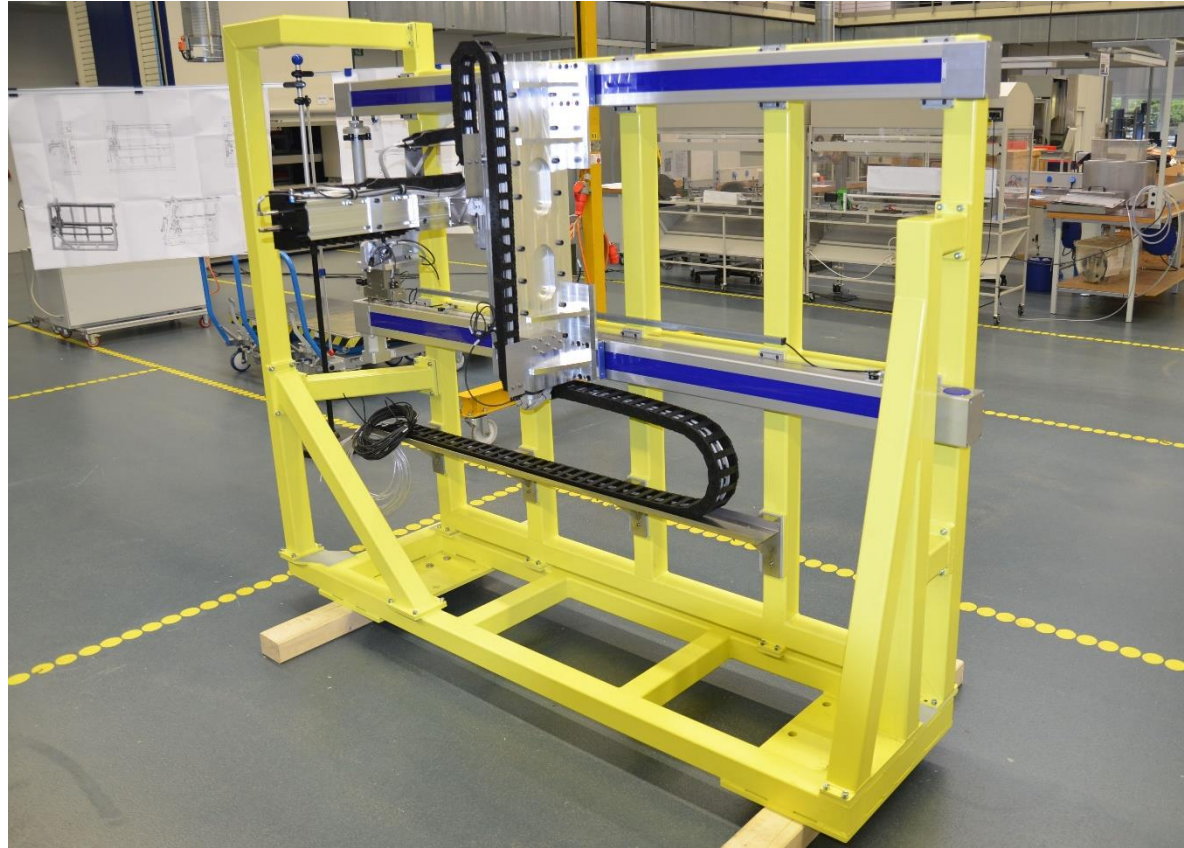


AGE-F



PZN+100

Laser welding system



Automotive



PGN+100



D200-SSS

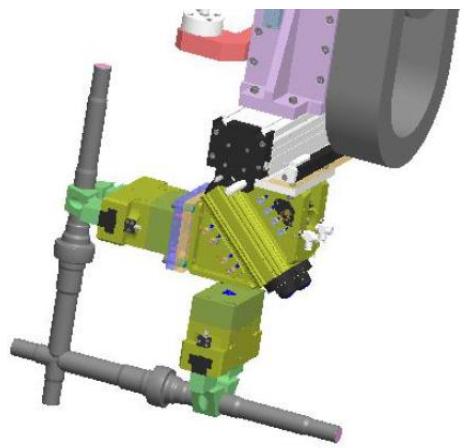
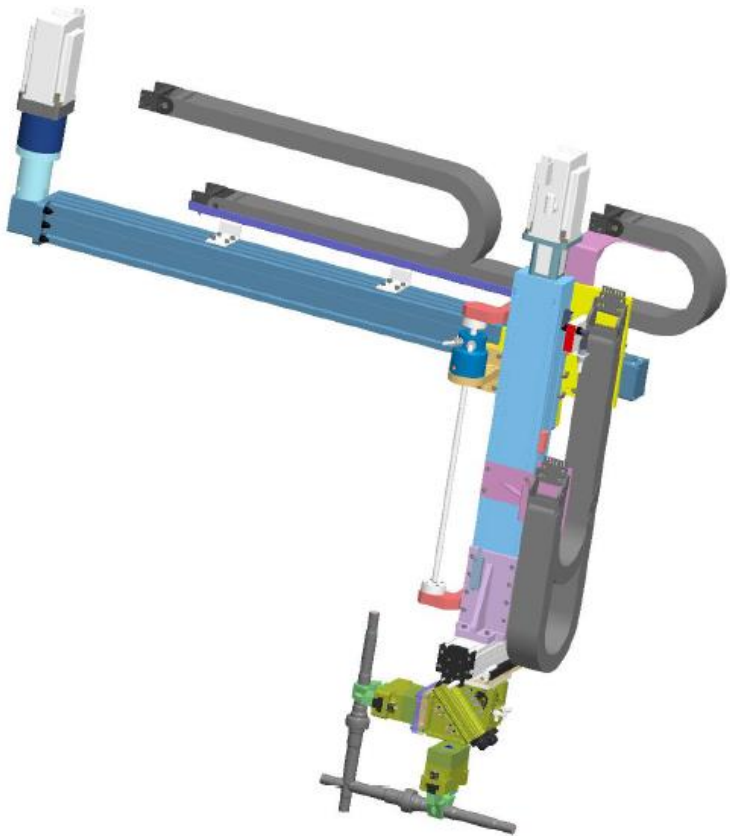


B120-ZSS



PMP-F 25

Reorientation of drive shafts



Automotive



SRH+40



B140-SSS



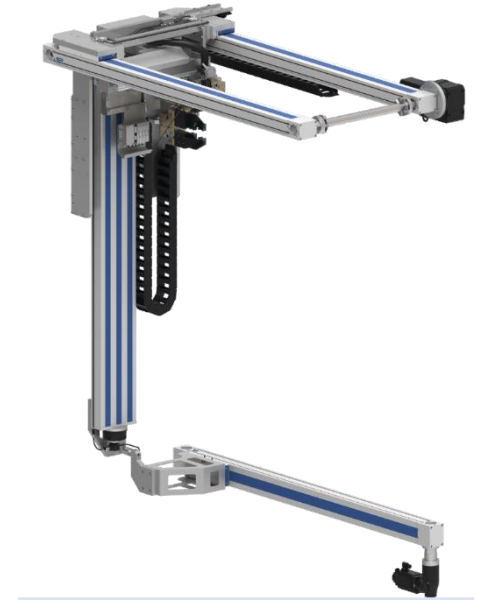
G120-ZSS



PMP-S-25



JGP-160



Automotive



PGN+160



D240-C-SSS

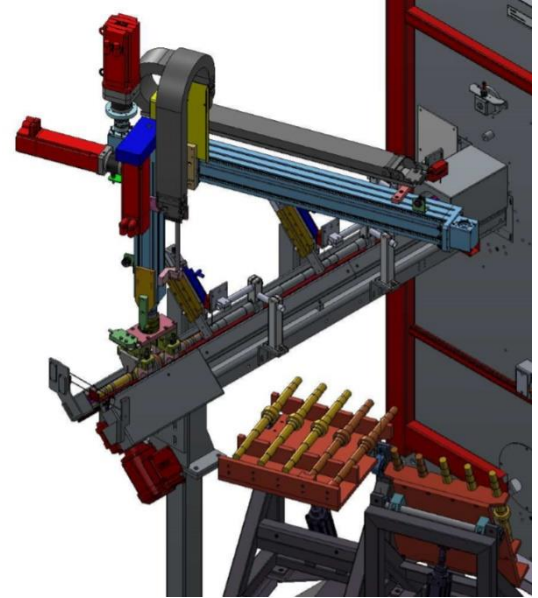
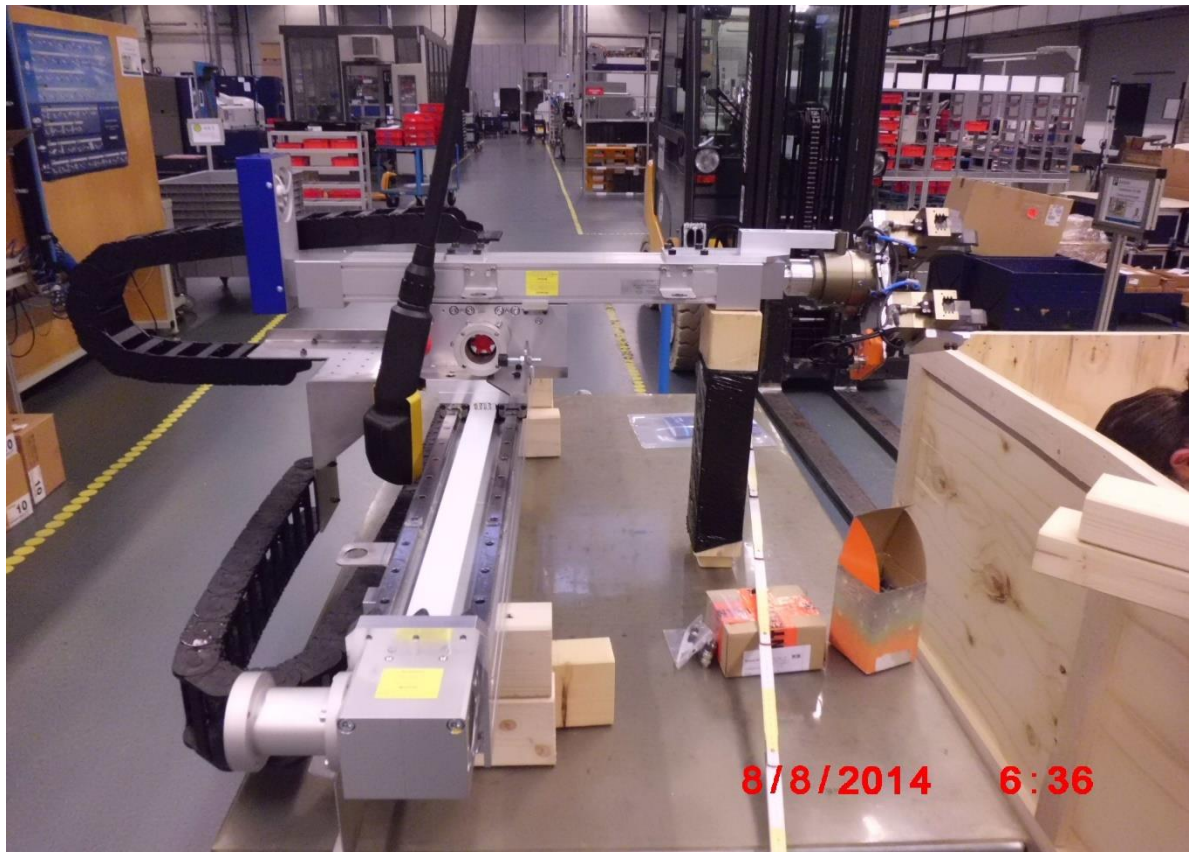


B120-ZSS



SRU+50

Linear module for cardan shafts



Automotive



PGN+125



B110-D-ASS

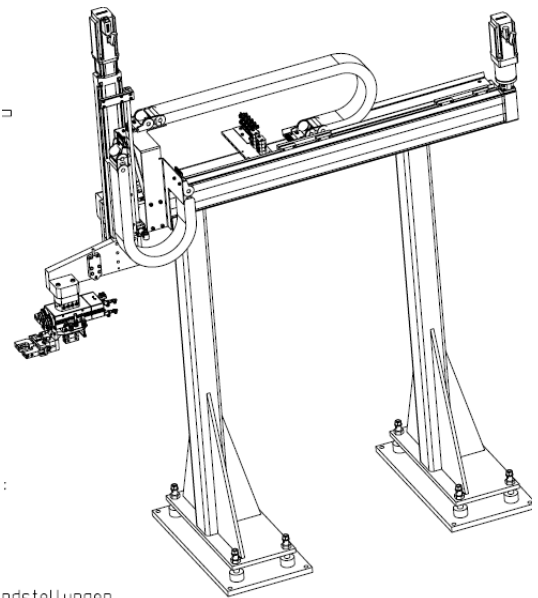


G120-ZSS



DDF-2

De- / Loading pinions



Automotive

ndstellungen.



PGN+100



D100-SSS

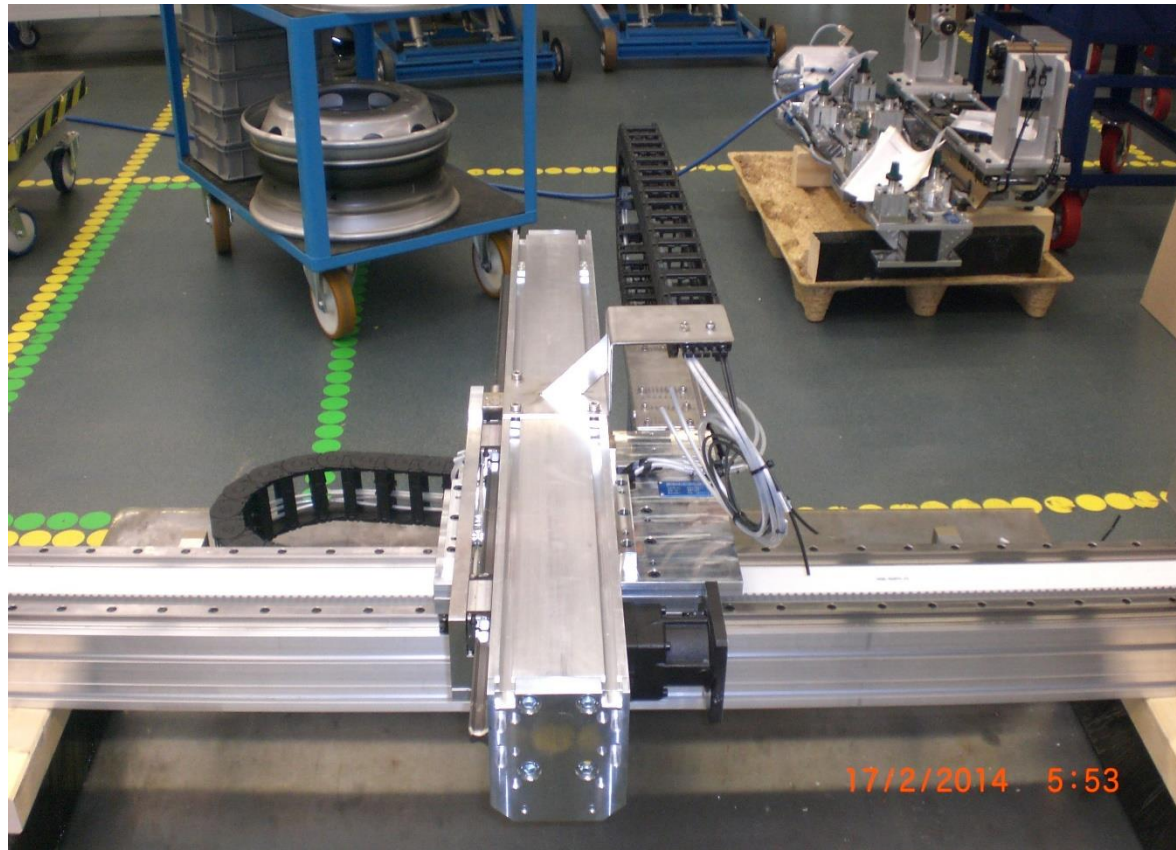


D145-ZSS



SRU+40

Linear gantry with rotary-gripping unit



Automotive



G120-AZSH

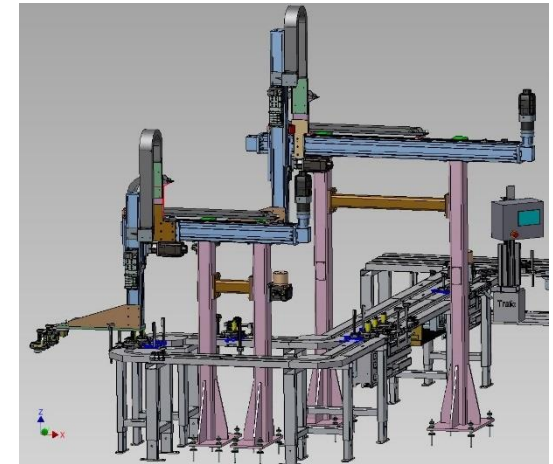


G160-ZSS



PZN+200

Translation of cams, area vacuum chamber



Automotive

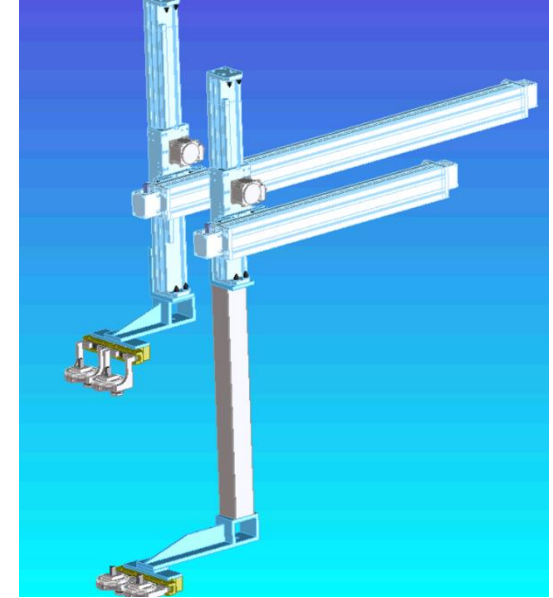
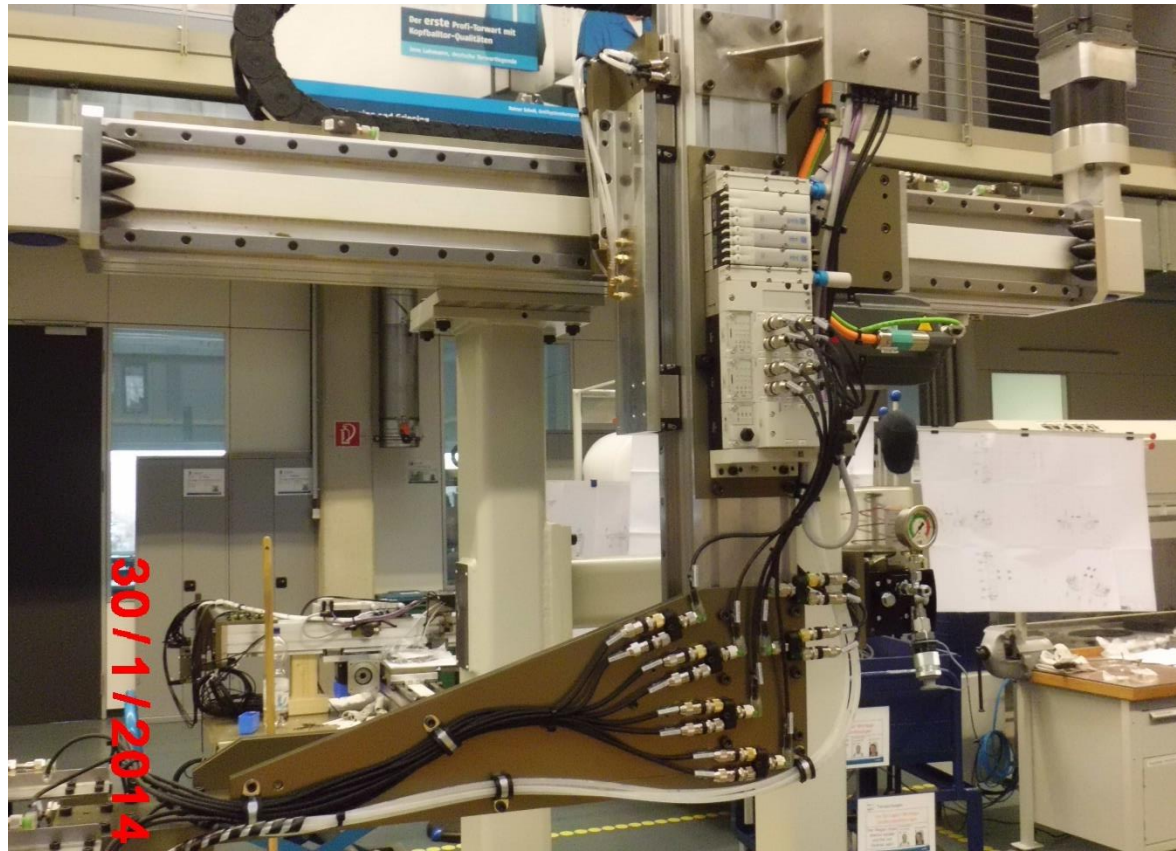


G120-AZSH



G160-ZSS

Translating camshafts and cams



Automotive



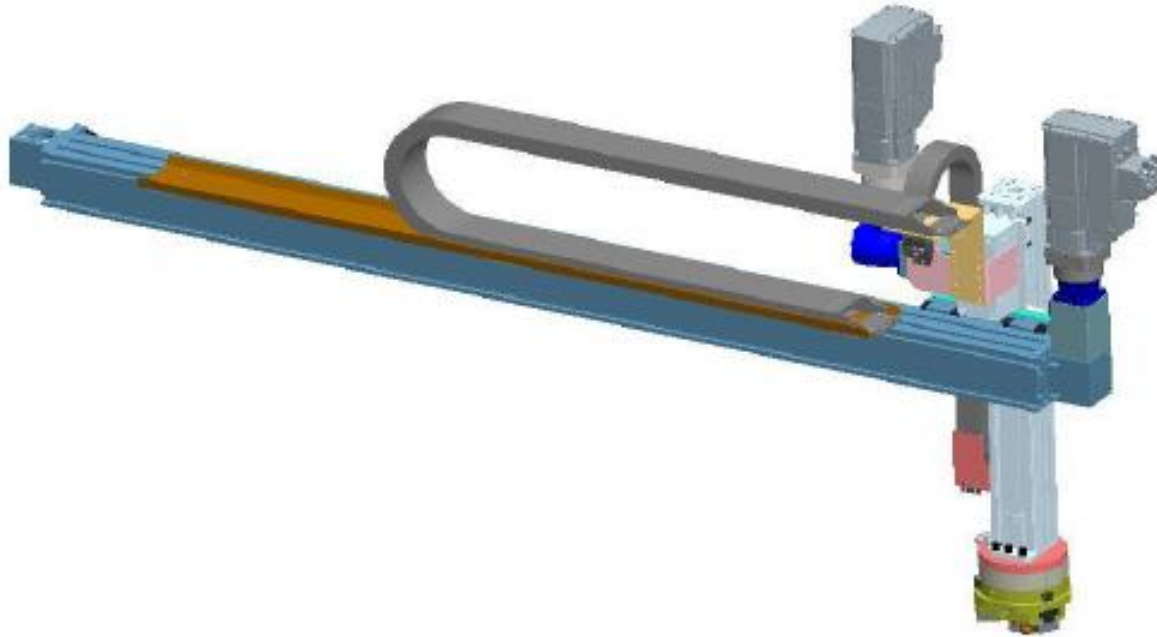
G120-AZSH



G160-ZSS



PGN+160



AGE



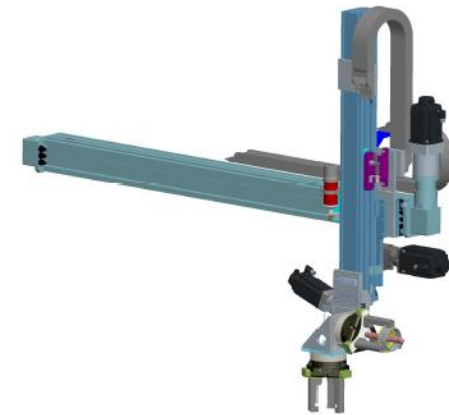
B-ZSS



PZN+

Loading a water jet cleaning machine with gear shafts

Automotive



G120-AZSH

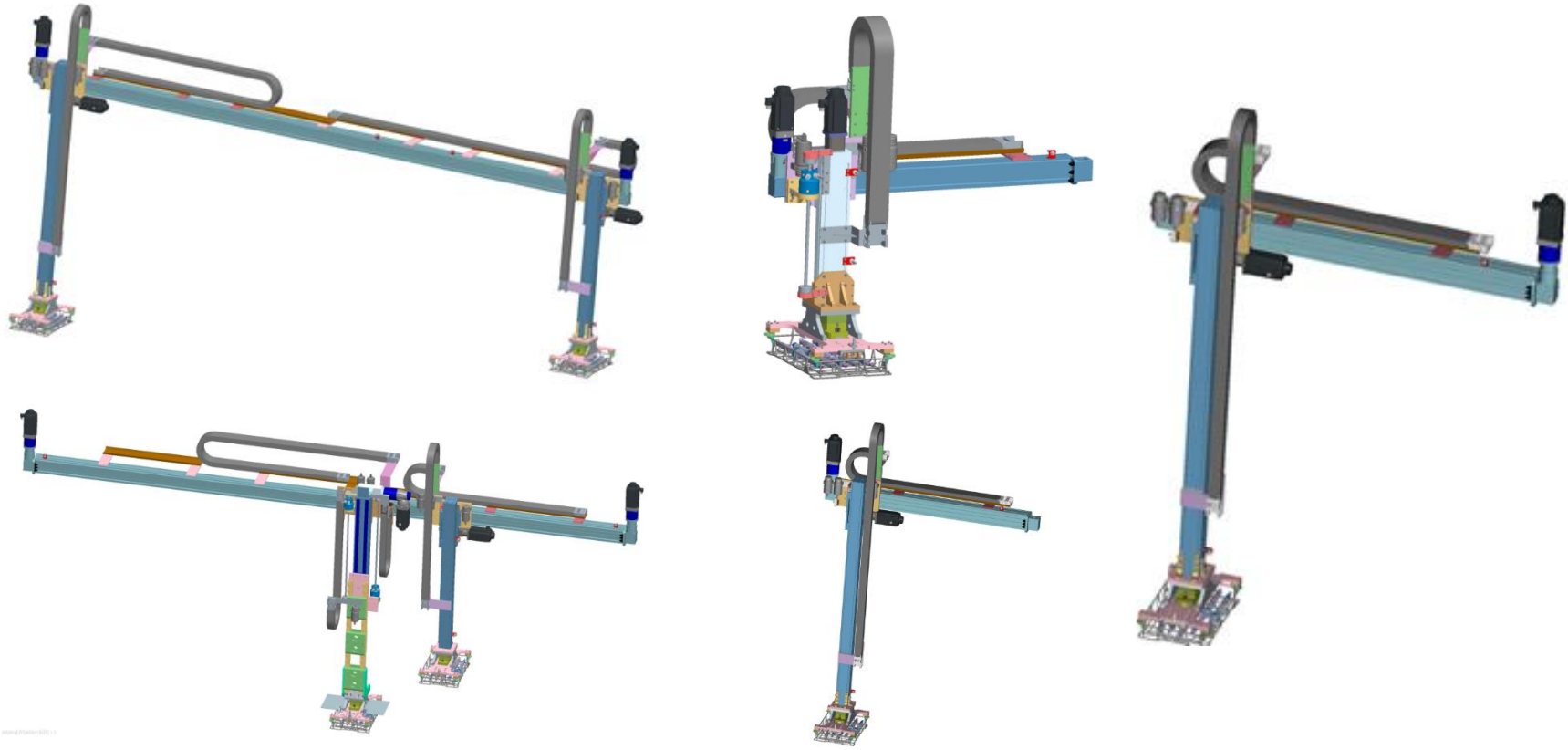


G160-ZSS



PZN+160

Gear shaft handling



Automotive



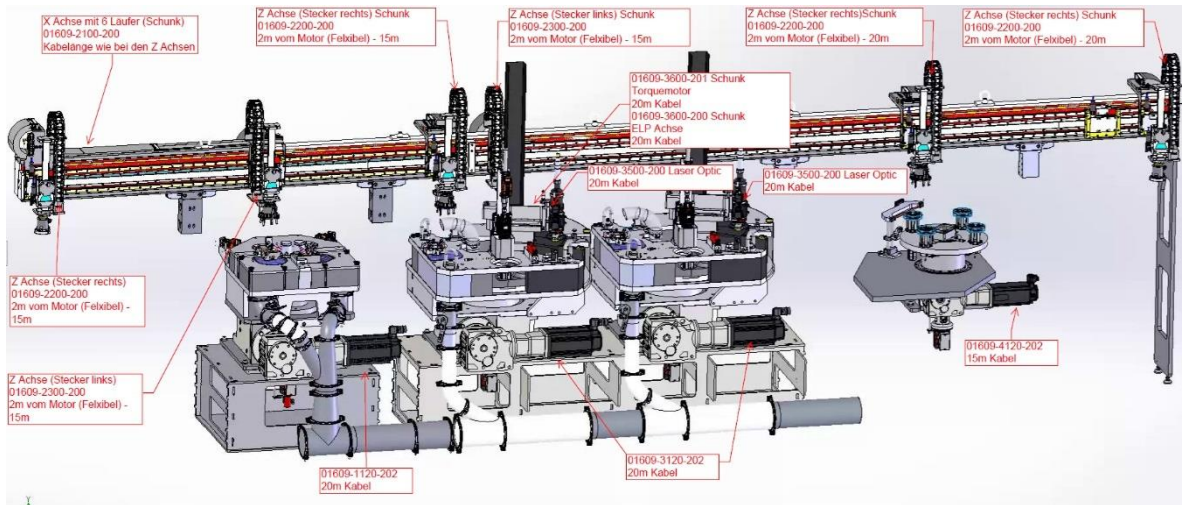
G120-AZSH



G160-ZSSD

Assembly and delivery handling

Automotive / Assembly



ELP-100

LDS-US-0100-6



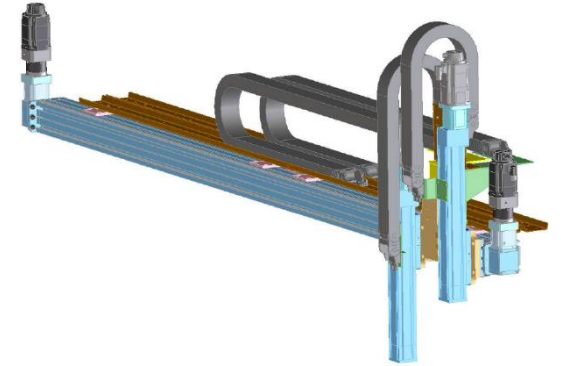
LDK-ES-0100



ERD

Linear gantry

Automotive/Inspection

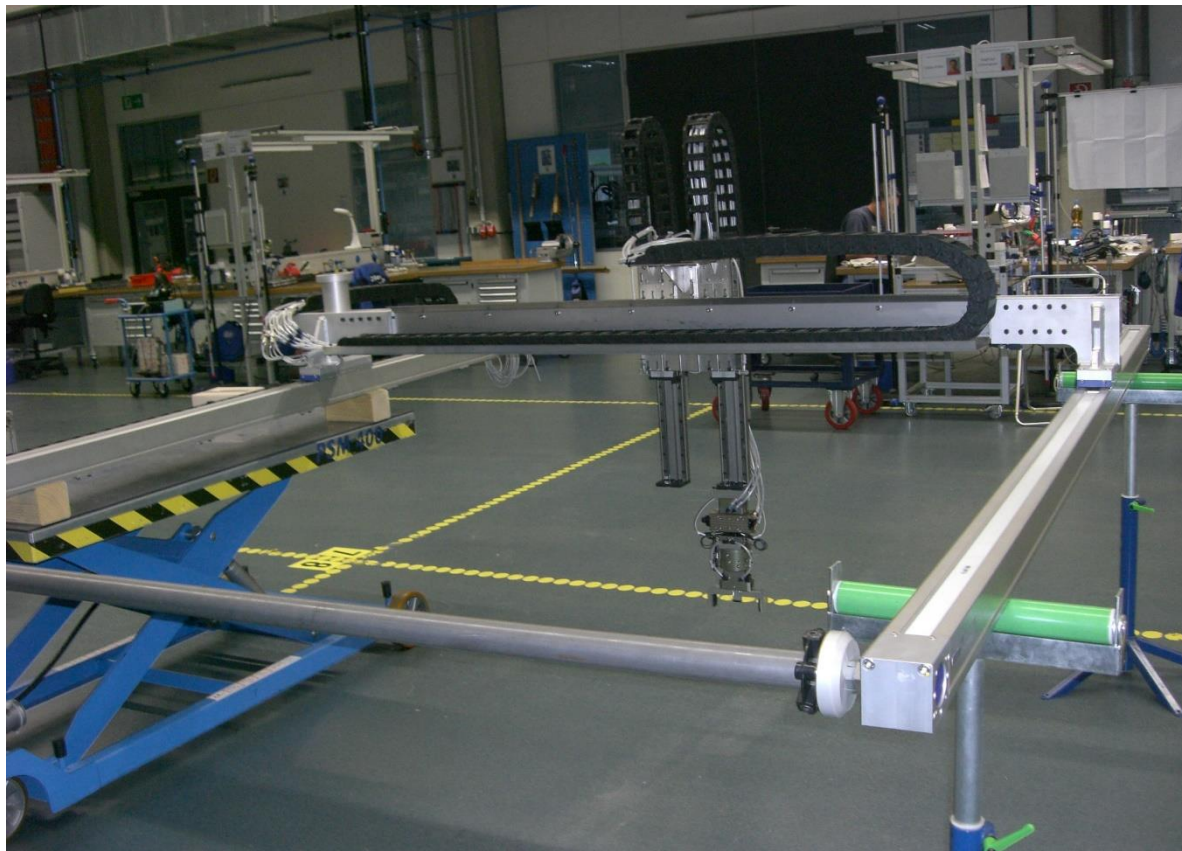


B80-SSS



G120-ZSSD

Battery cell handling



Electronics



SRU+25



B100-D-ZSS



B80-C-ZSS

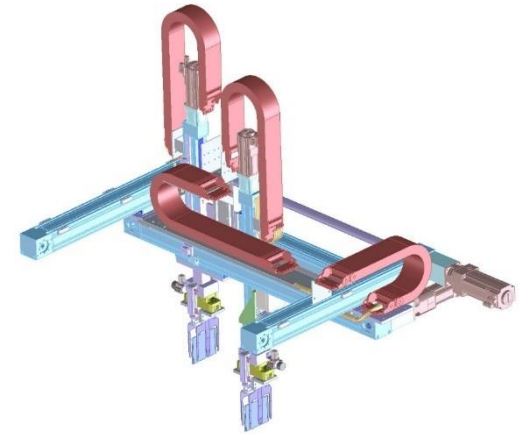
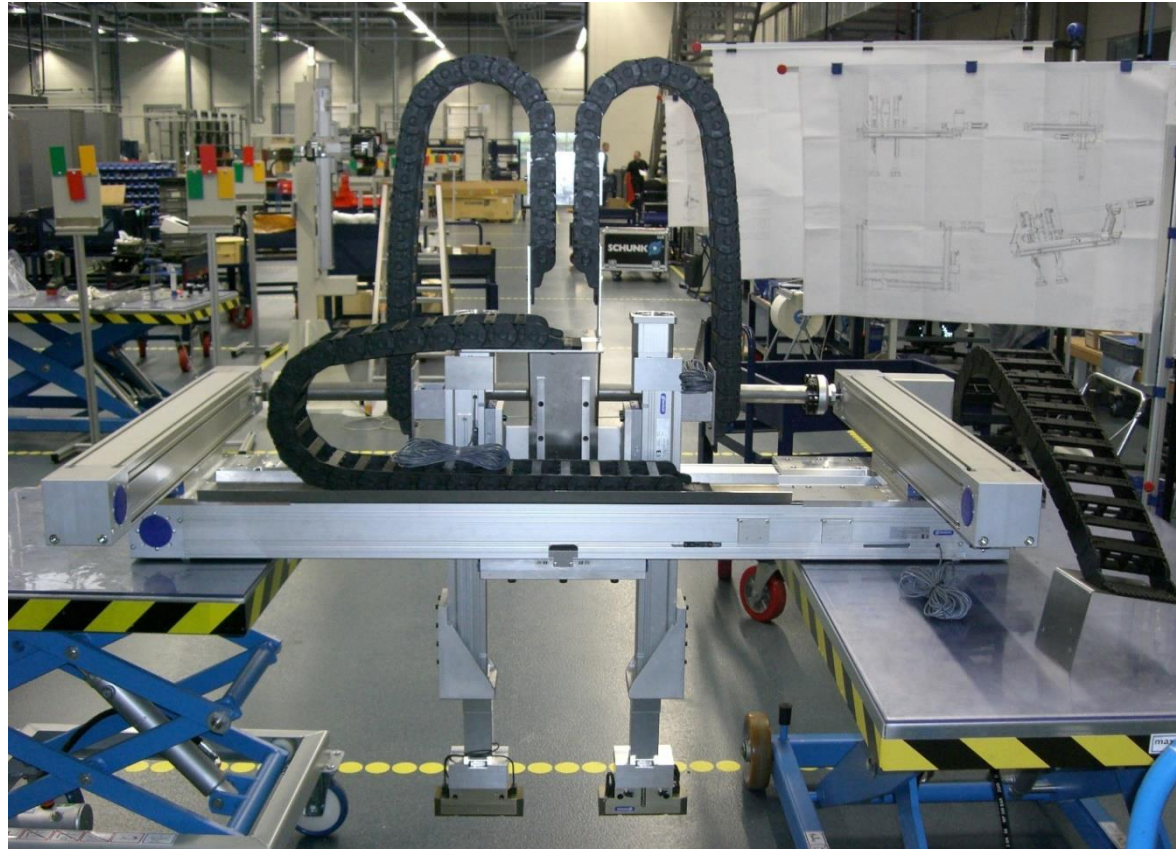


LM-200



PGN+80

Linear gantry



Electronics



SRU+40



B110-SSS



B110-ZSS



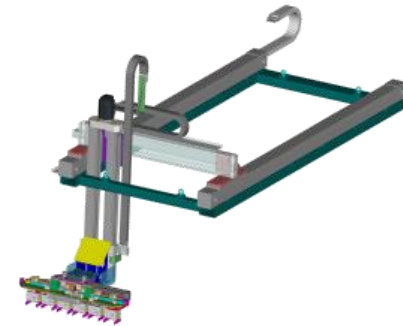
B80-SSS



PGN+160

Handling truck batteries

Electronics



D240-ZSS

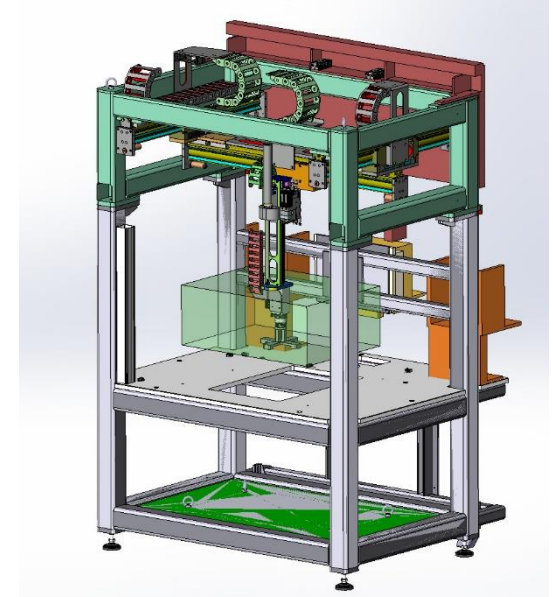
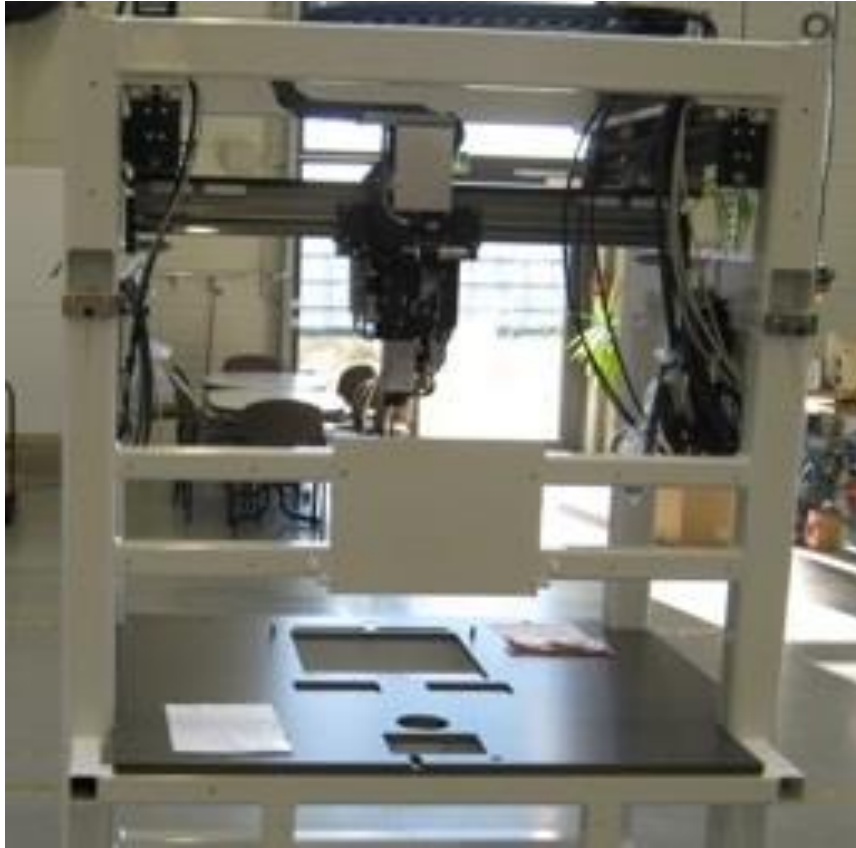


B165-ZSS

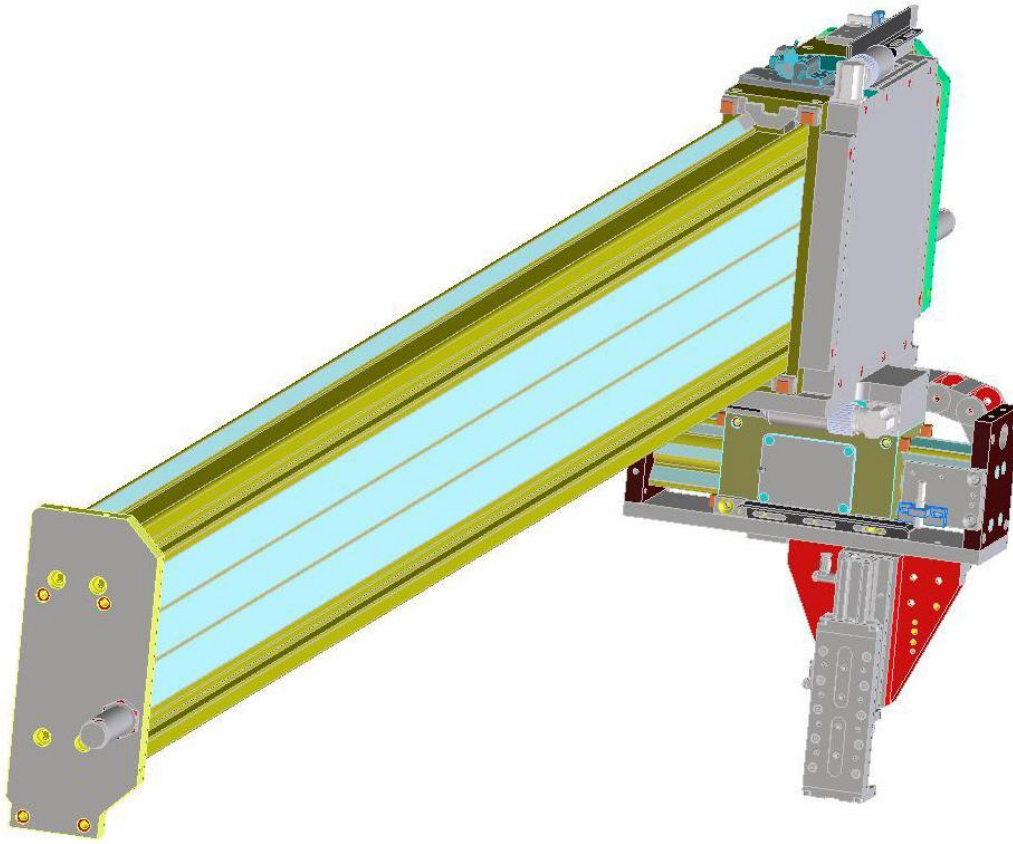


B110-SSS

Complete system cells



Electronics



CLM050-H050



LDT-EL-0600



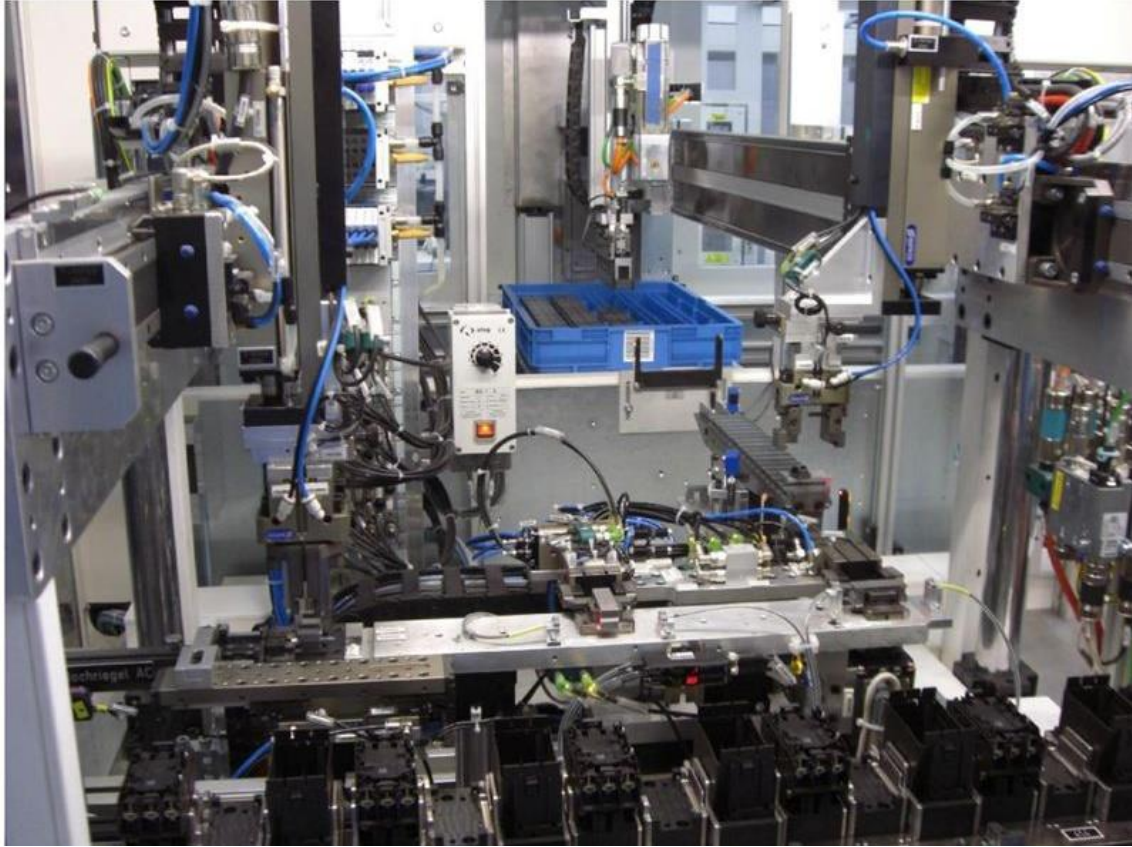
LDN-ES-0100



LDK-ES-0100



LDN-ES-0100



ELM37-H160

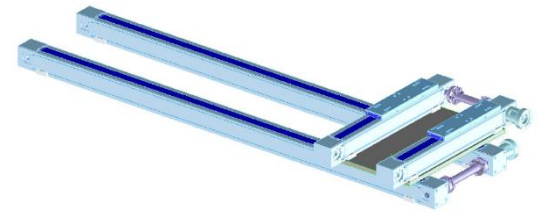
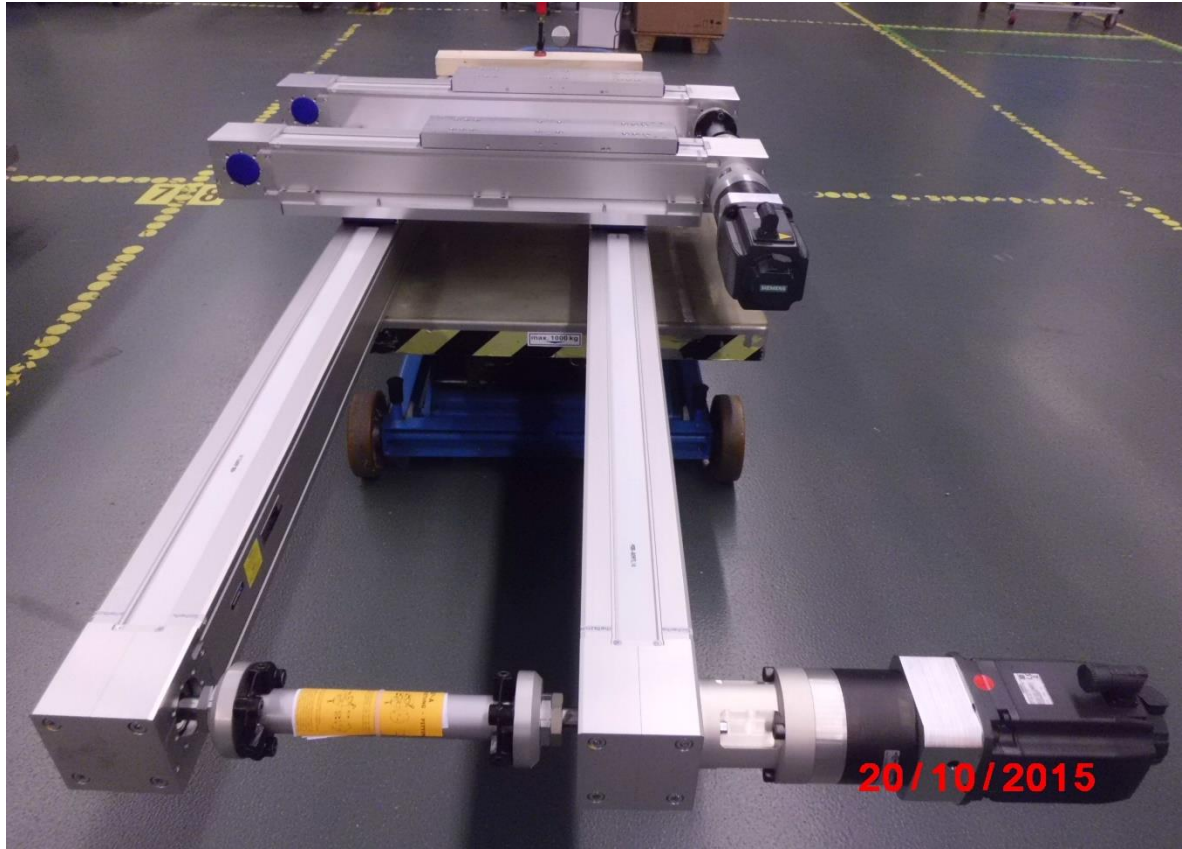


LDL-US-0200



PGN+80

Linear system



B120-C-ZSS

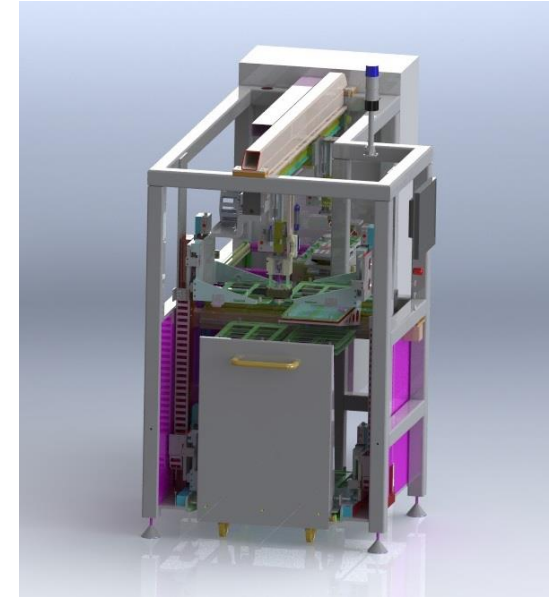


LDM-EL



LDN-UL

Leaf stamping machine



Manufacturing



LDN-US



LDN-U

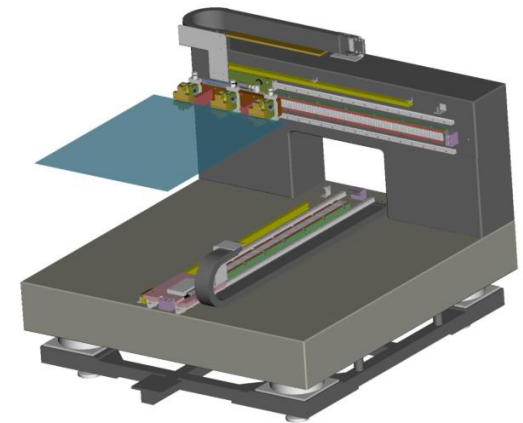
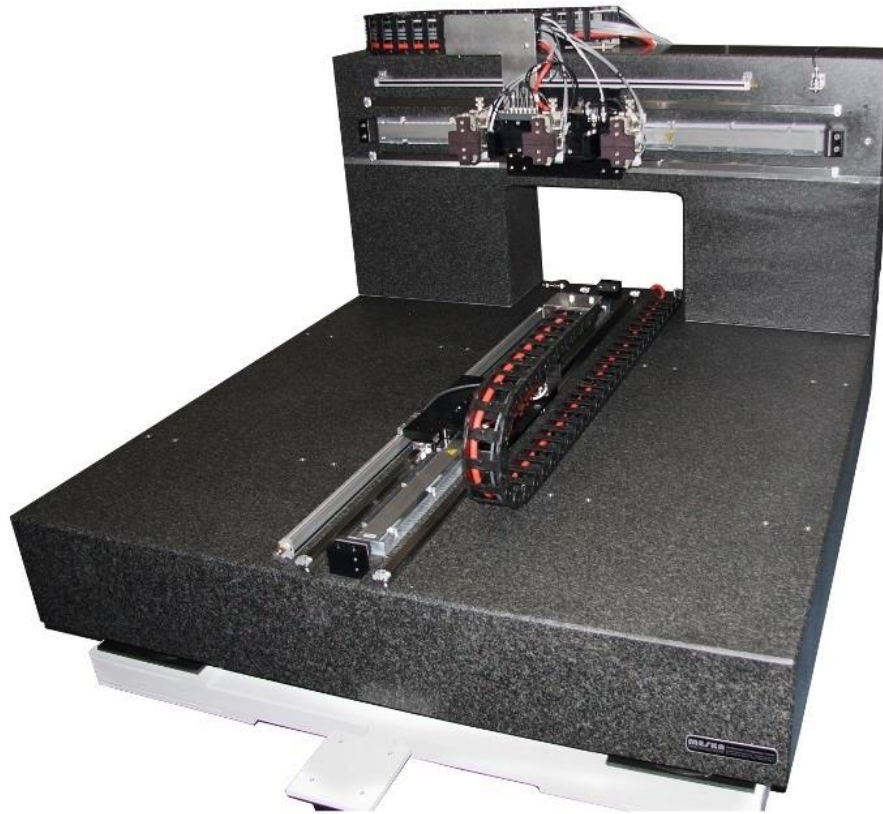


LDN-UL



LDK-US

Laser structuring machine



Manufacturing

LDS-EL-0200

Gripping 100kg pipe

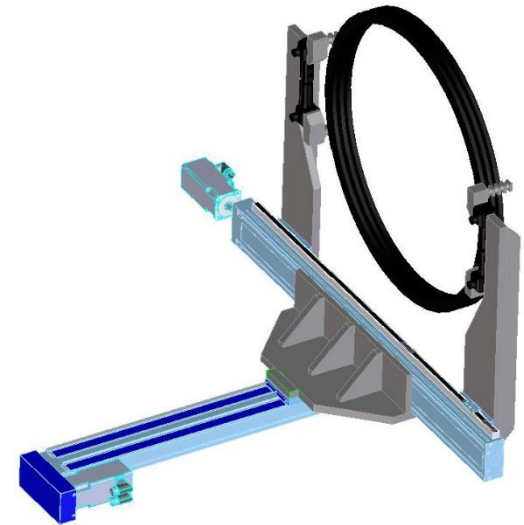
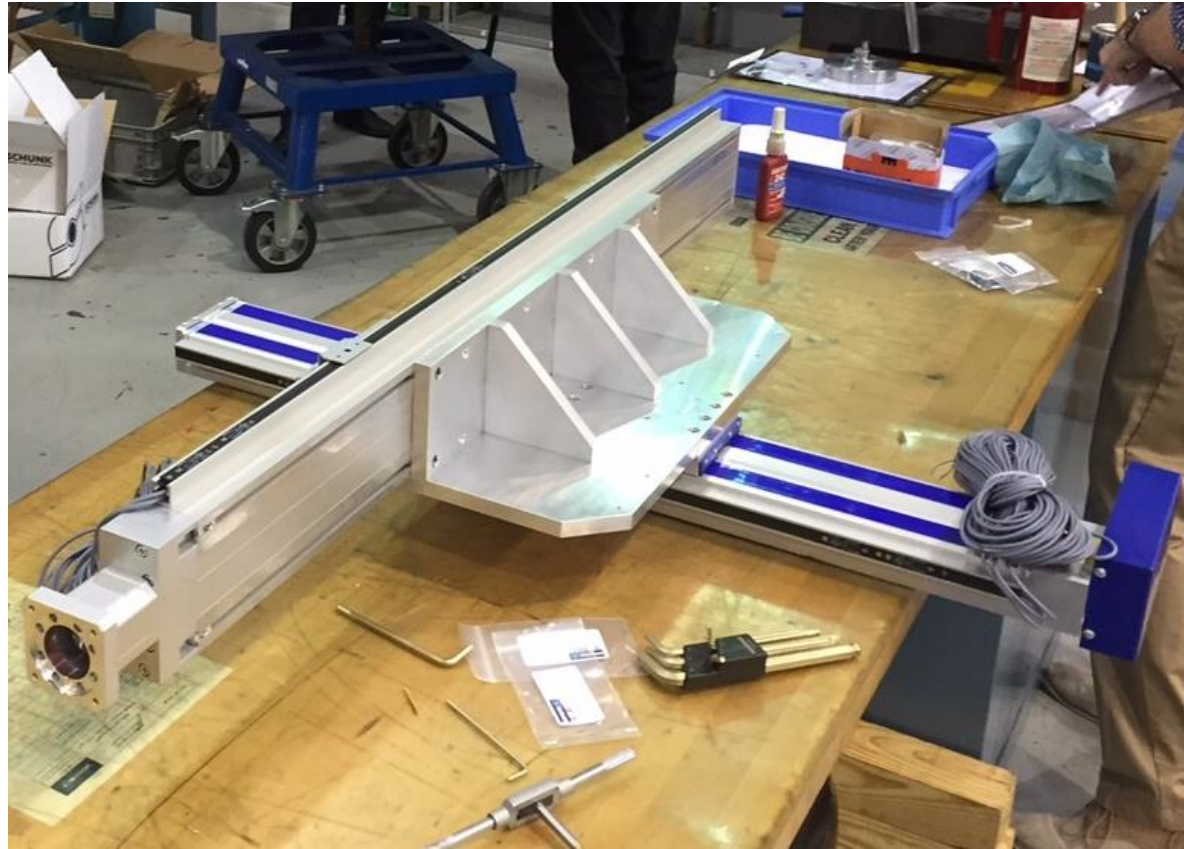


Gripping



B70-C-SRS

Assembly assistance

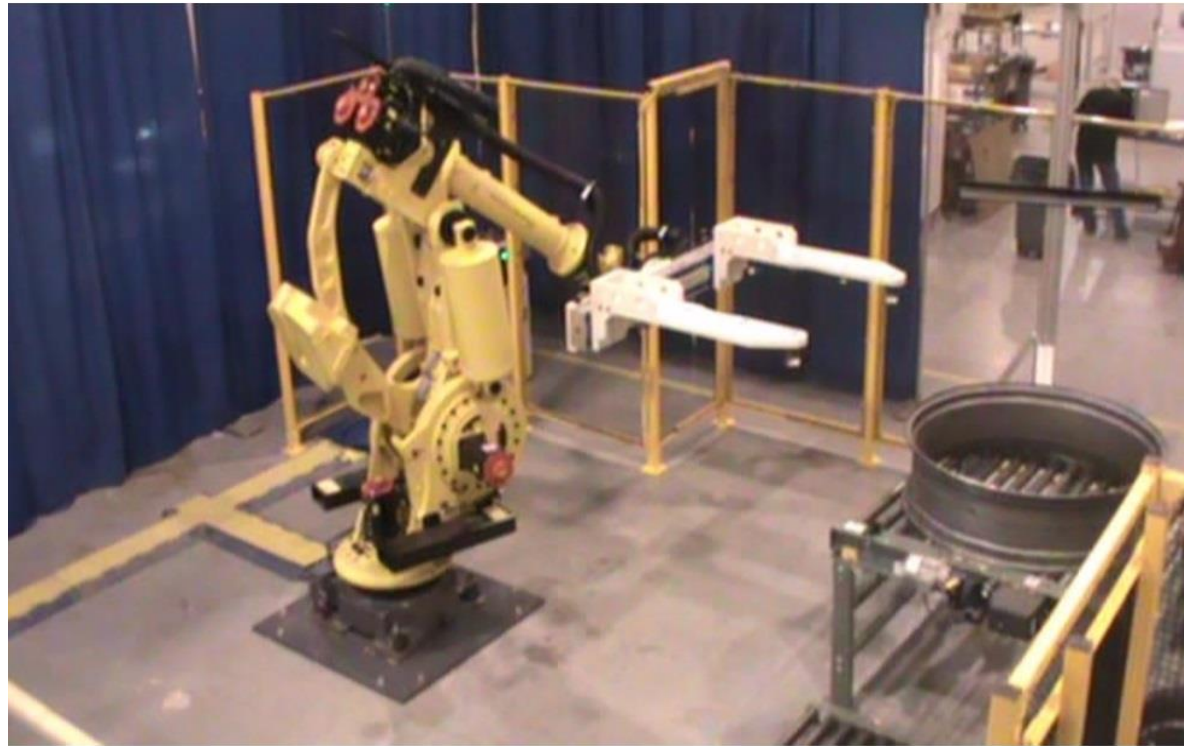


Gripping



Delta-axis

Wheel rim gripping



Gripping



D200

Gripping up to 550kg



Gripping



A-20

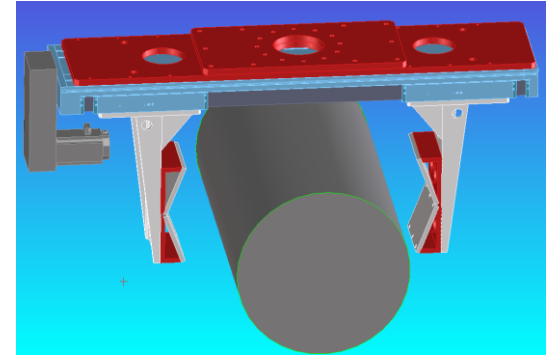
Gripping 80kg tires

Gripping



A-20

Gripping 180kg pipes



Gripping



A-30

Gripping a 545kg part while welding

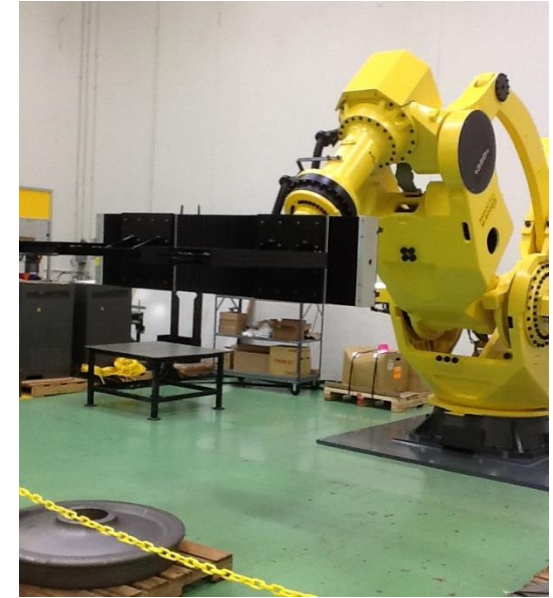
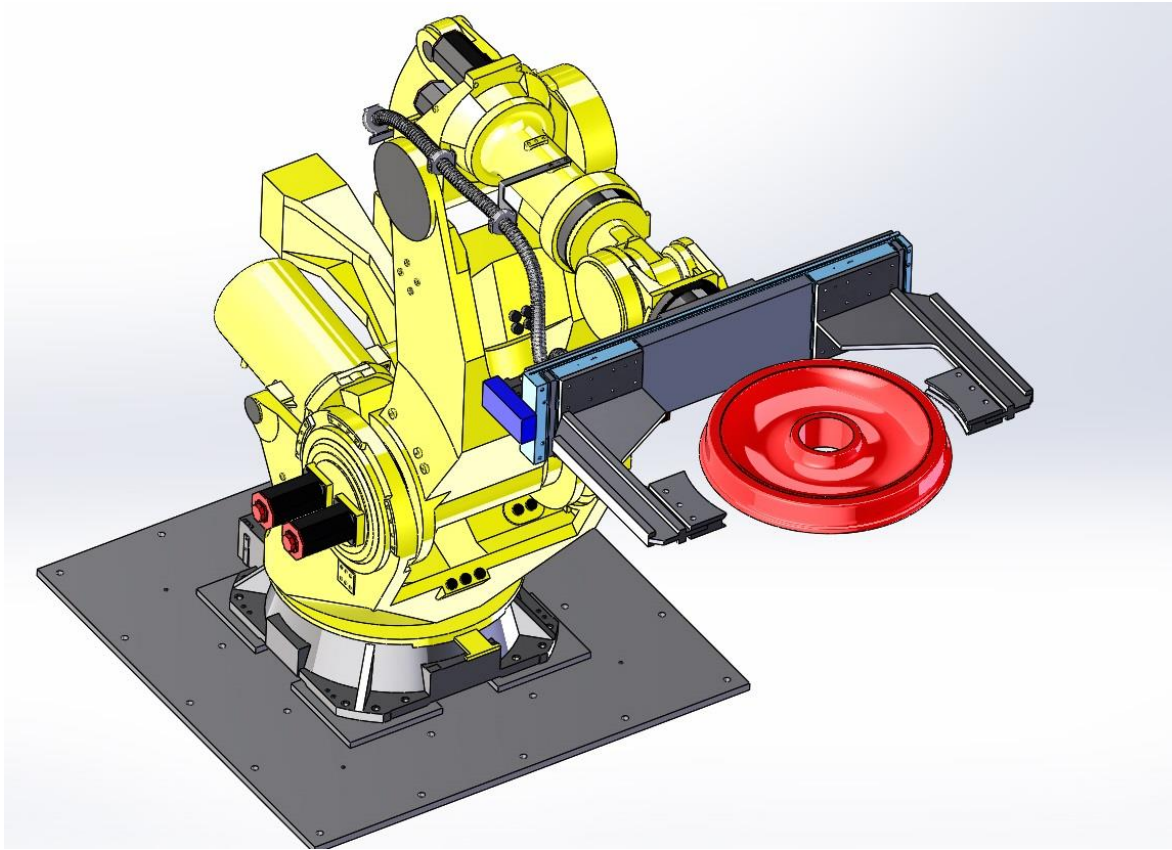


Gripping



A-20

Gripping 680kg train wheels

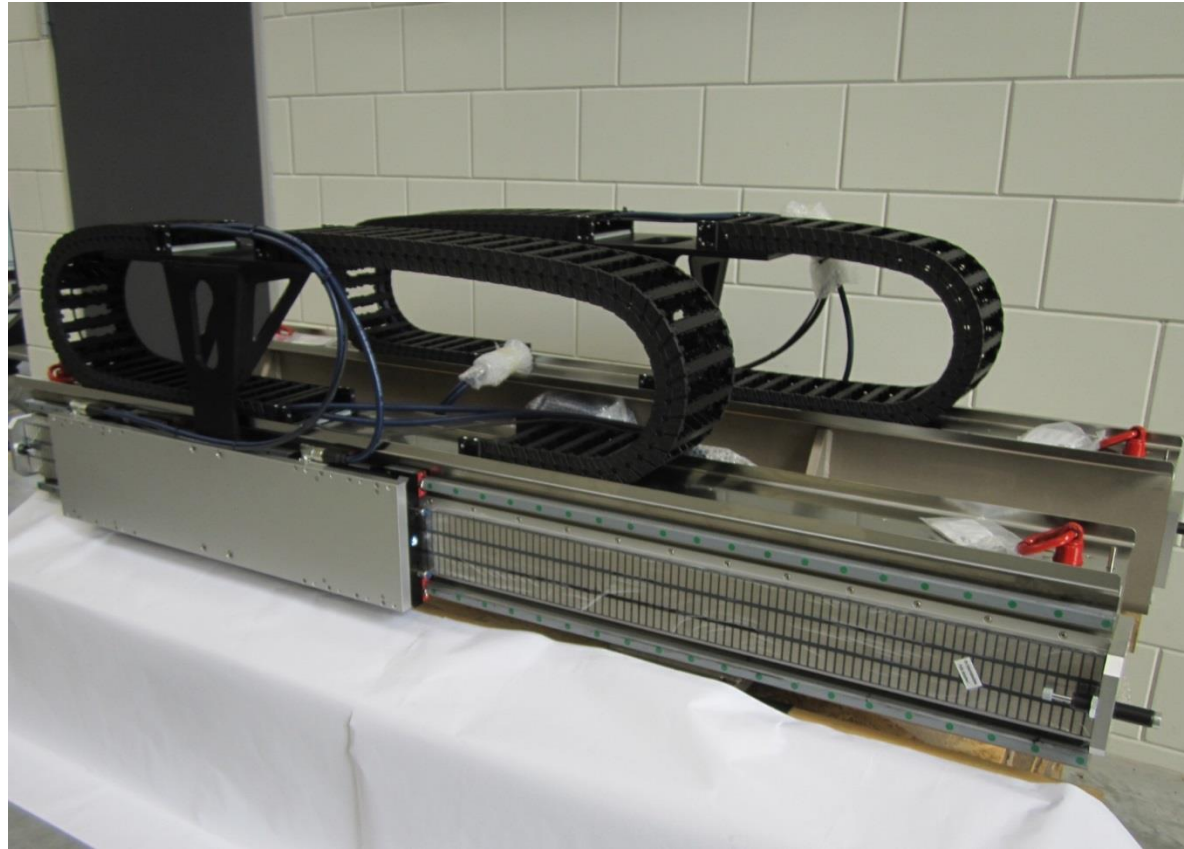


Gripping



A-35

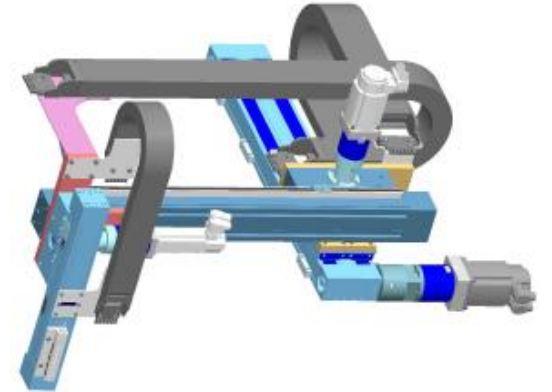
Linear axis on steel beam



Logistics

Special axis

Palletizing of gear wheels



Logistics



B100D-ASS

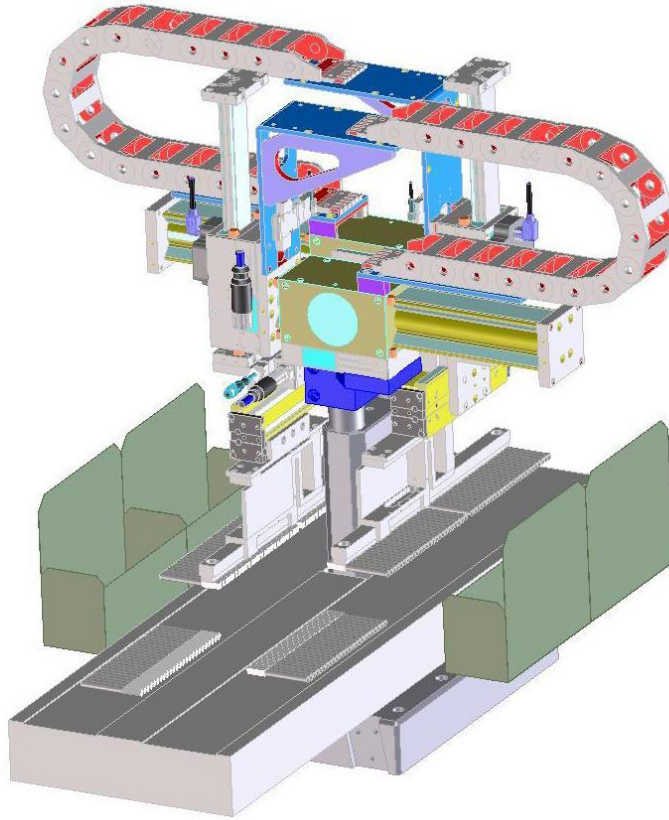


D145-SSS



B70-C-ASS

Packaging of cigarette tubes



Logistics



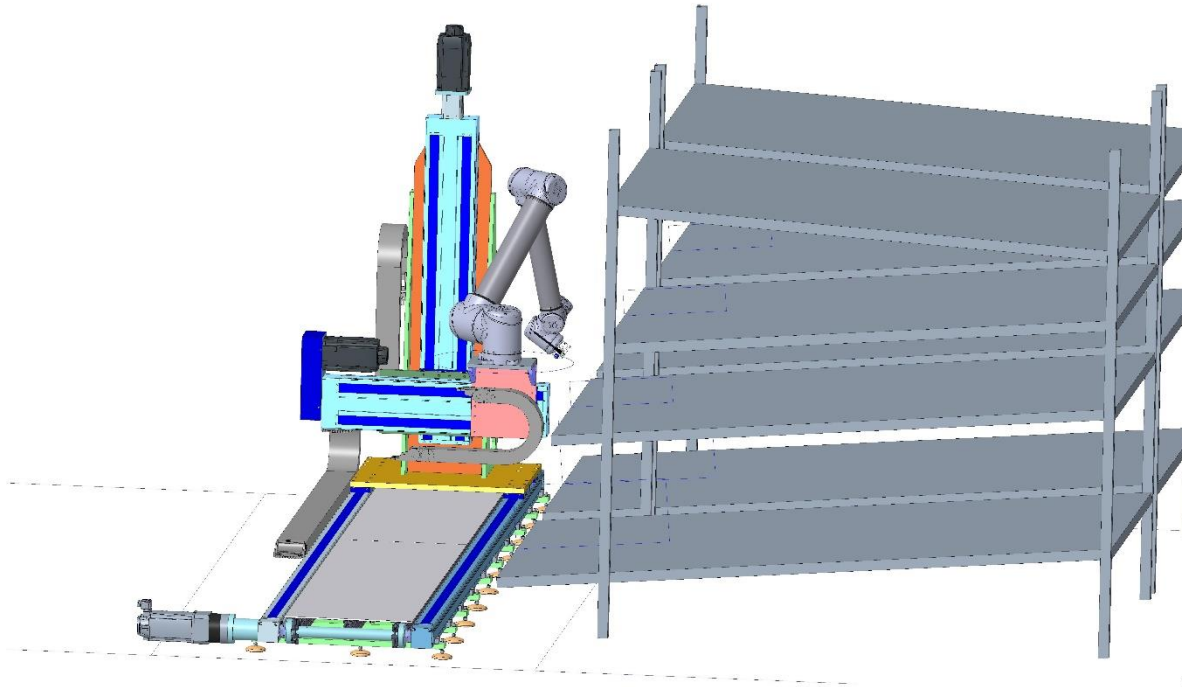
LDK-ES-0100



LDN-ES-0100



ELB070-H50



D200-SSS



B80-C-ZSS

Wafer shelf handling



Logistics / Electronics

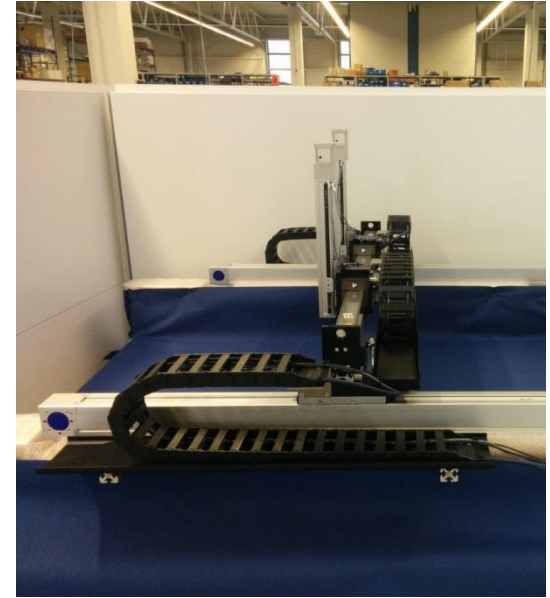
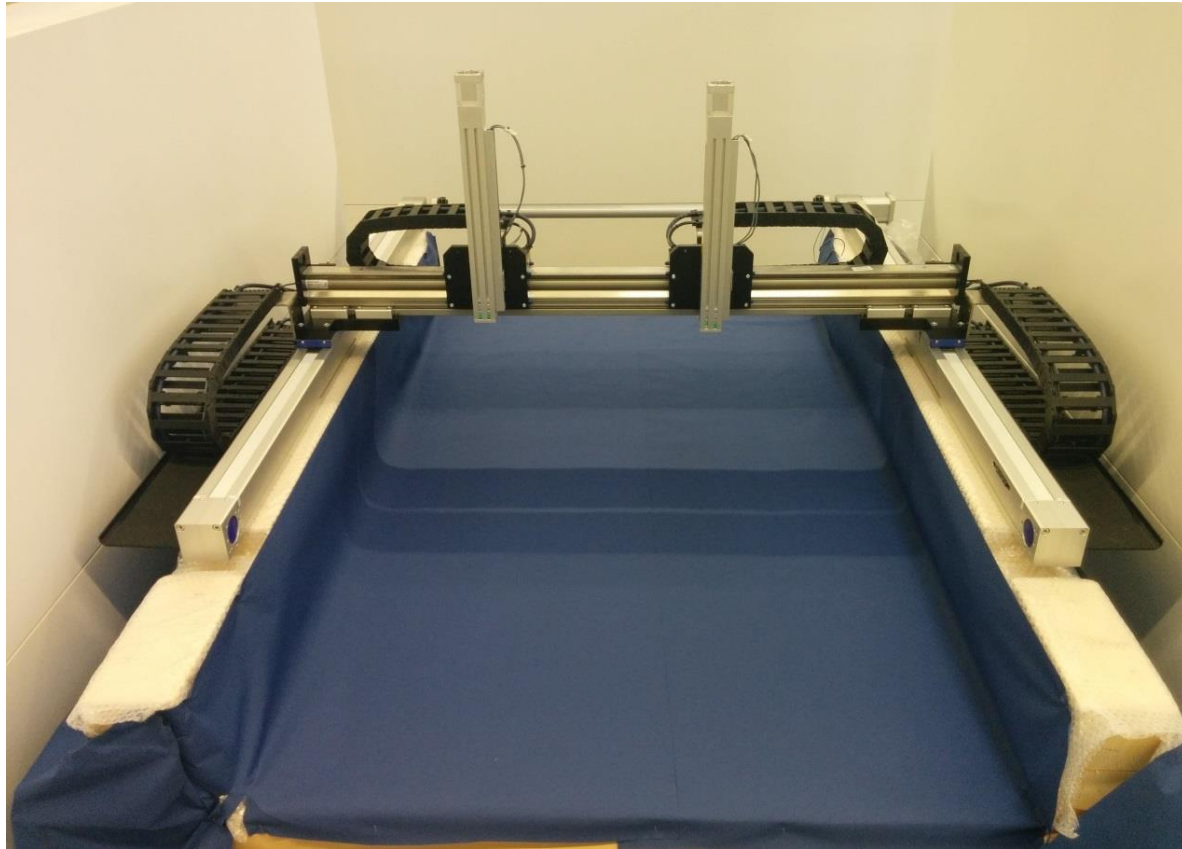


D200-SSS



B110-ZSS

Gantry for gluing



Assembly



LDN-US



B80

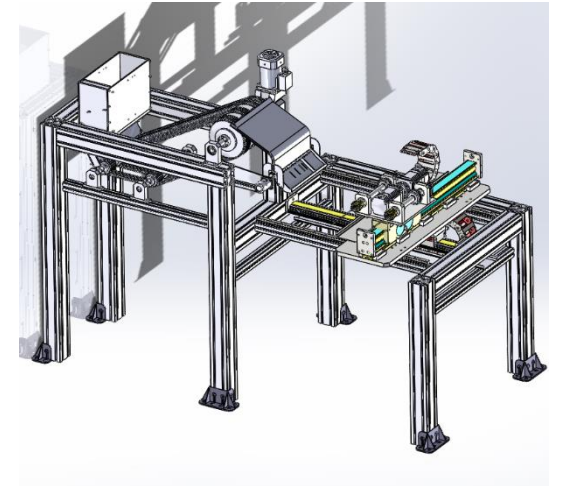
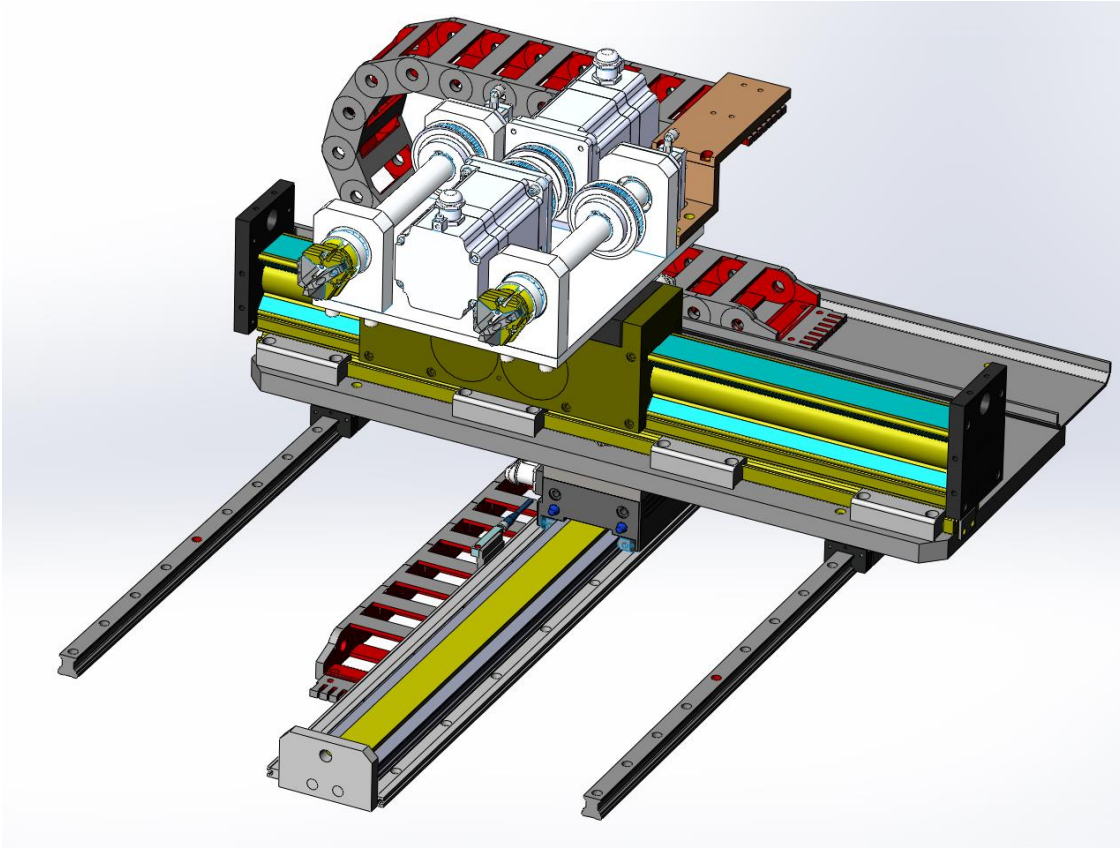


B50



Assembly

Screwing station



Assembly

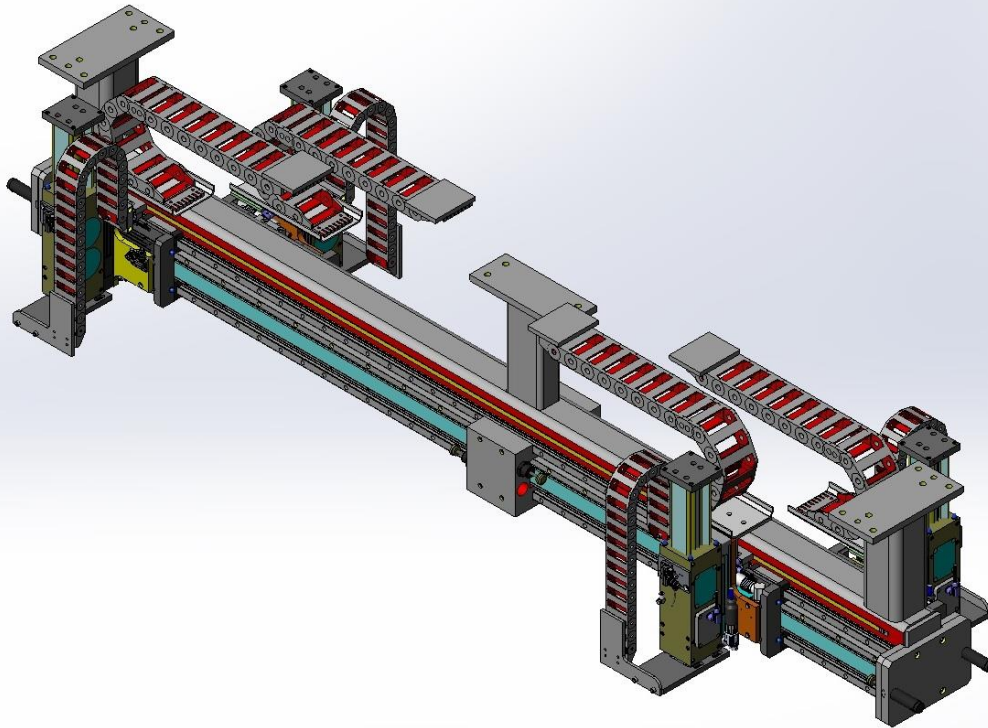


LDN-UL



LDL-UL

Seal ring assembly



Assembly



LDN-EL

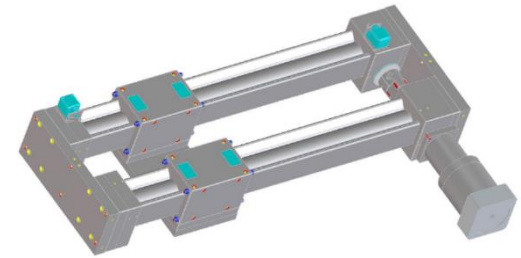
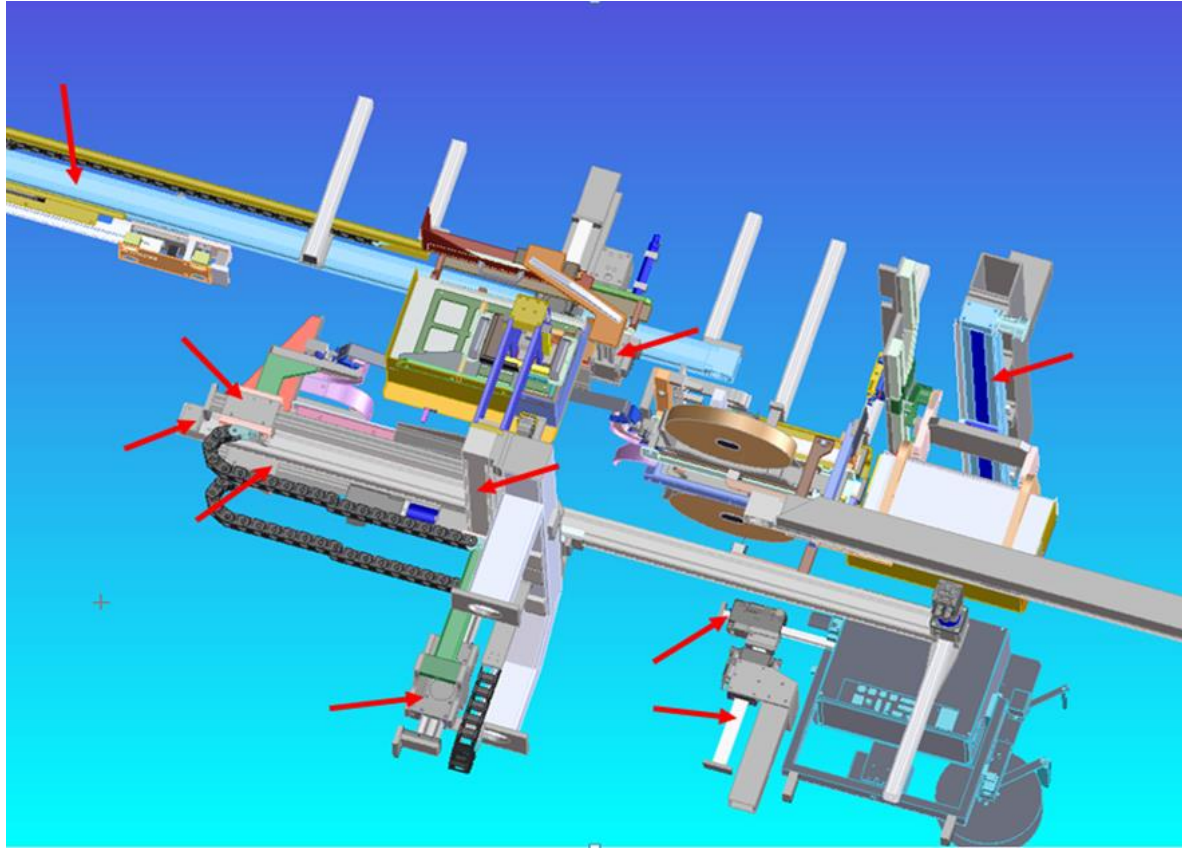
LDS-UL

Productions line for the medical industry



Pharma

Handling of contact lenses

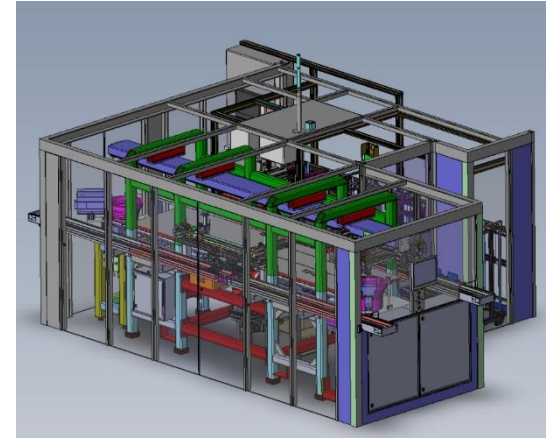


Pharma / Logistics

LE85

Picking robot medicine

Pharma / Logistics



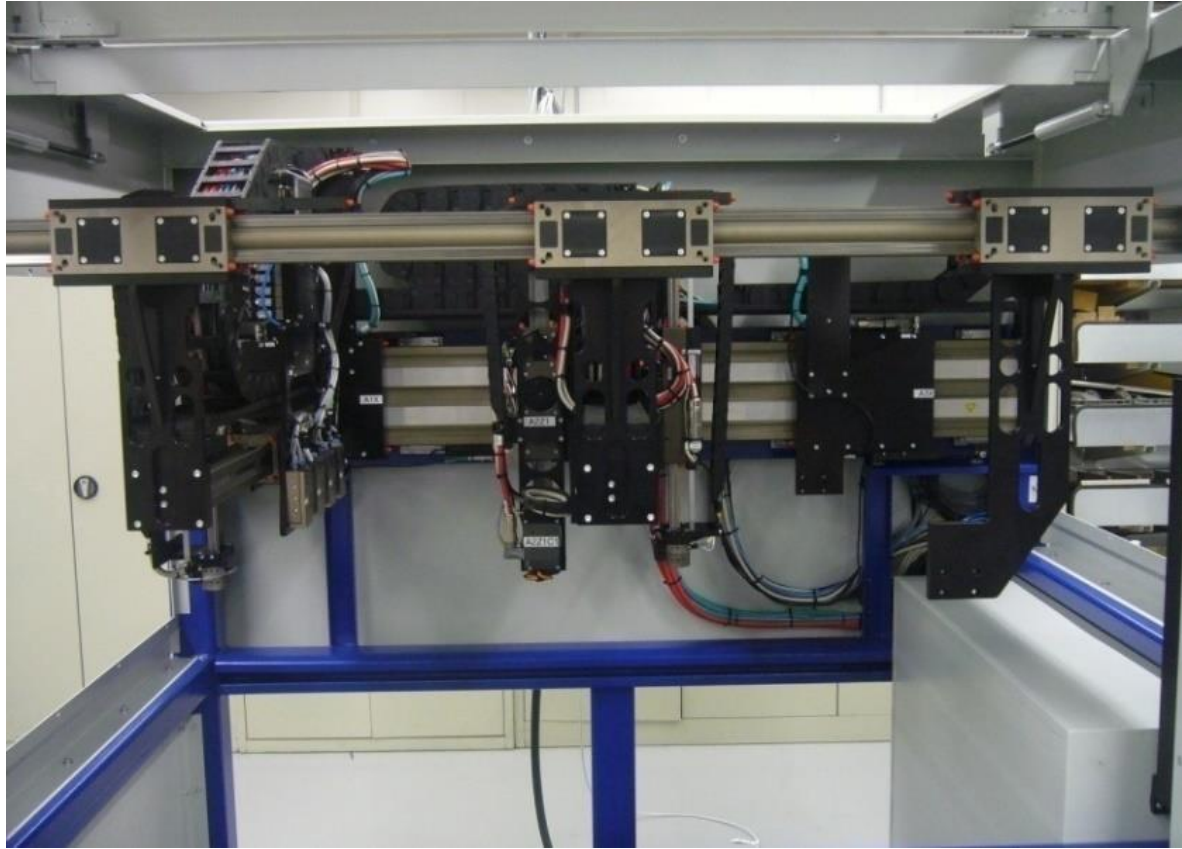
LDN-US

LDS-UL

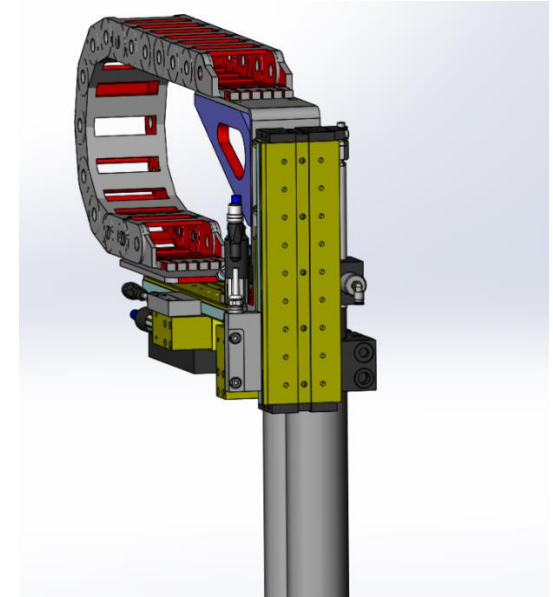
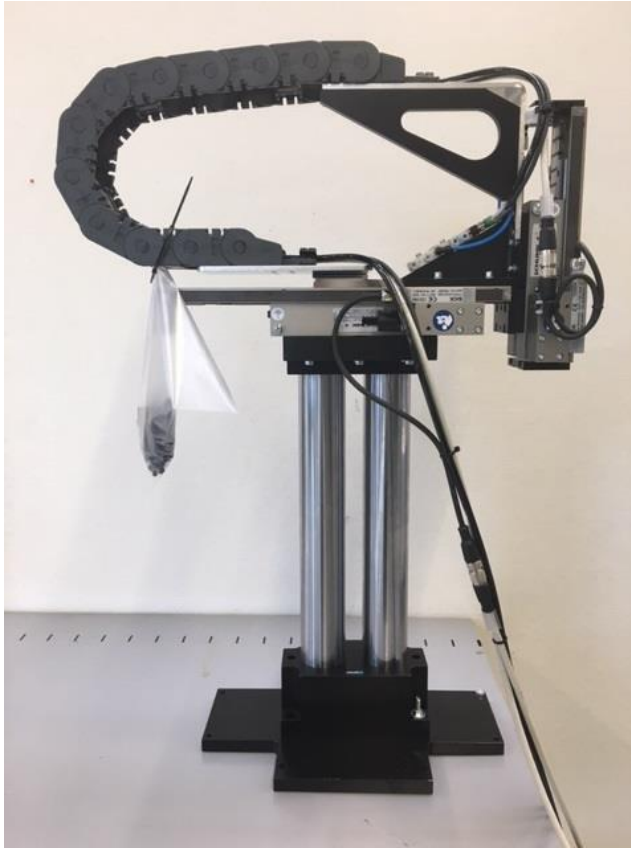


LDH-ES

Filling and screwing of euromedicine bottles



Pharma / Assembly

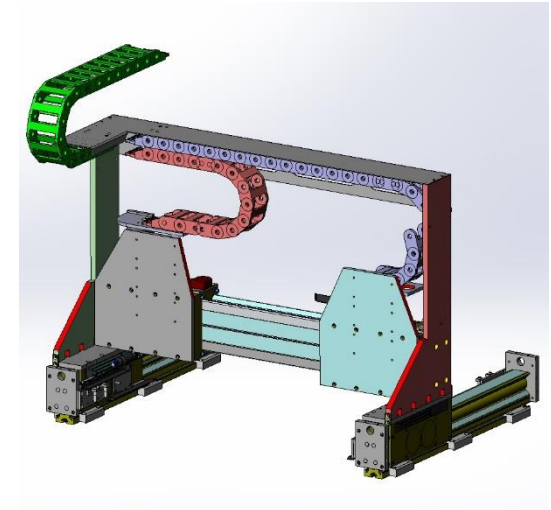
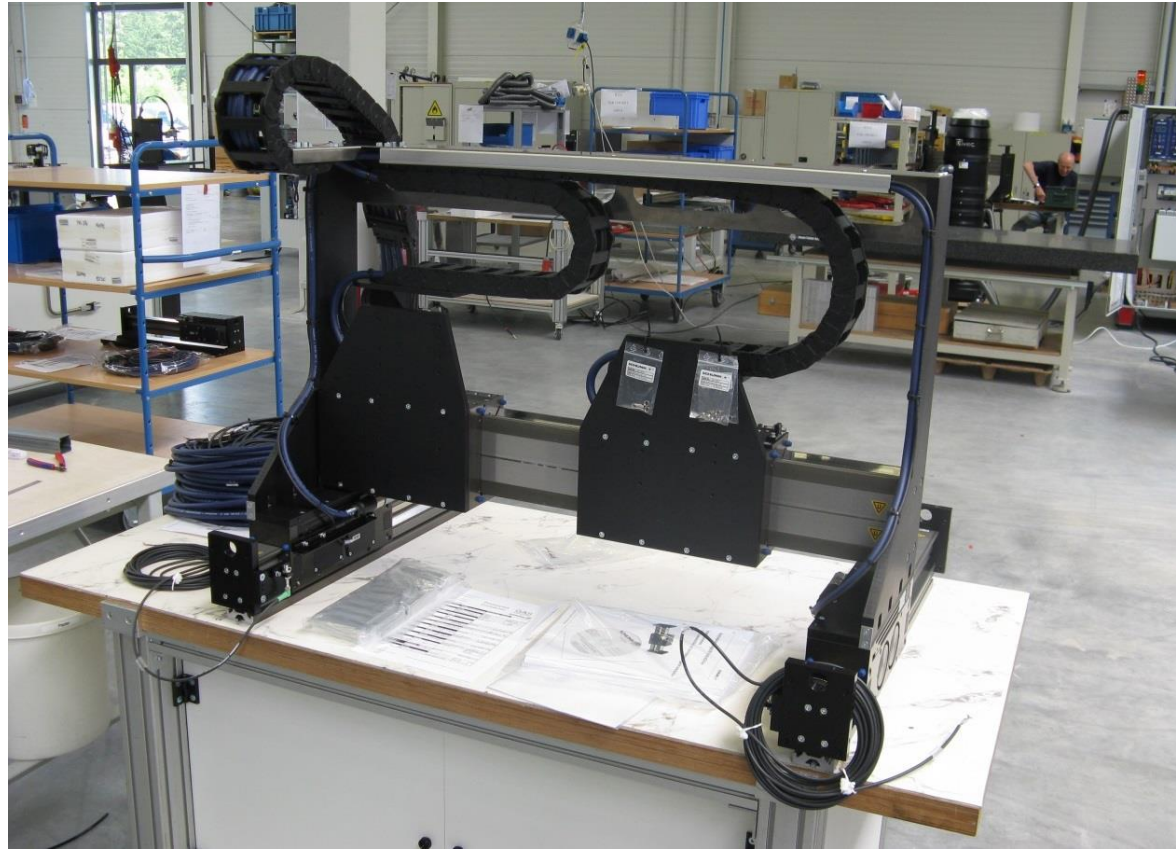


Pick & Place



ELB-Achsen

Surface gantry with double-barrelled energy chain



Pick & Place

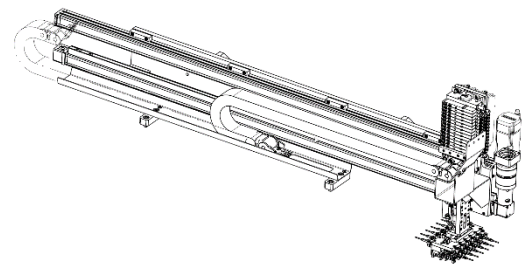
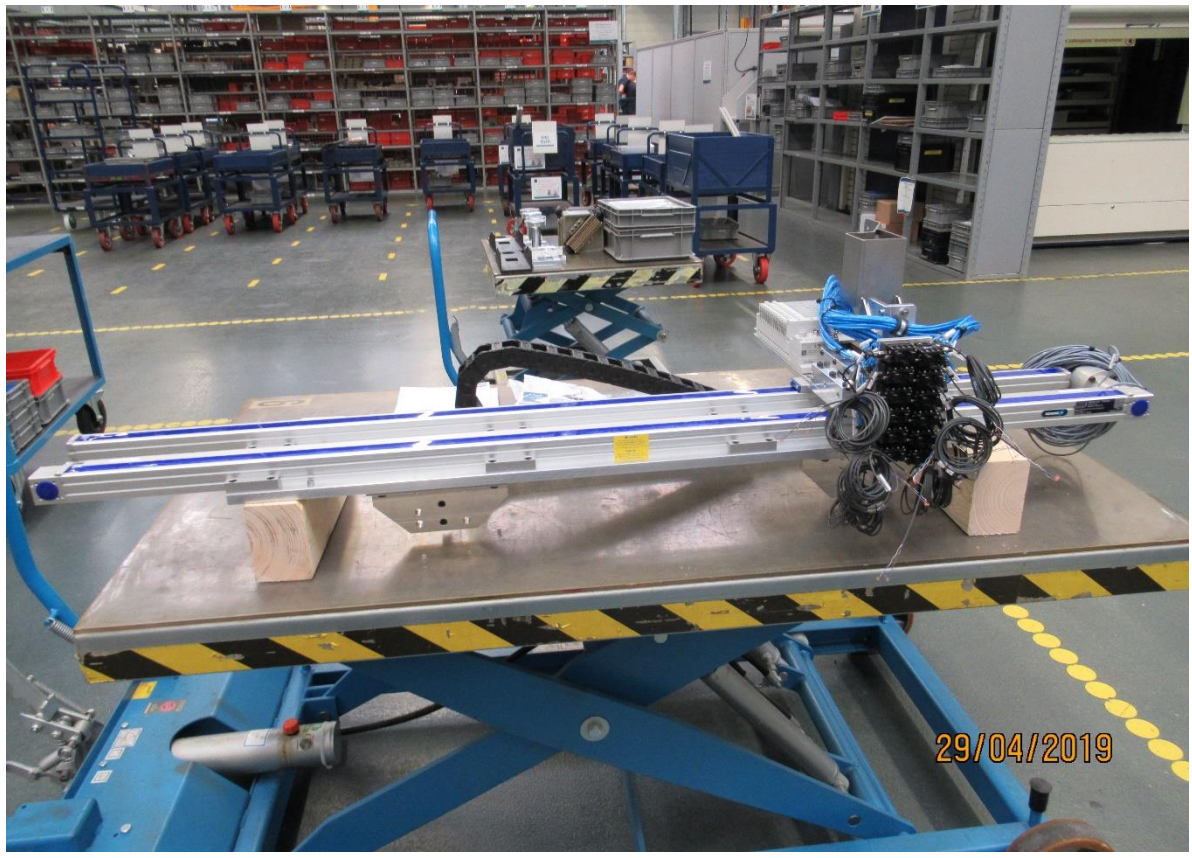


LDM-EL



LDN-UL

Handling system with sorting



Pick & Place



CLM-050



B40-OSS

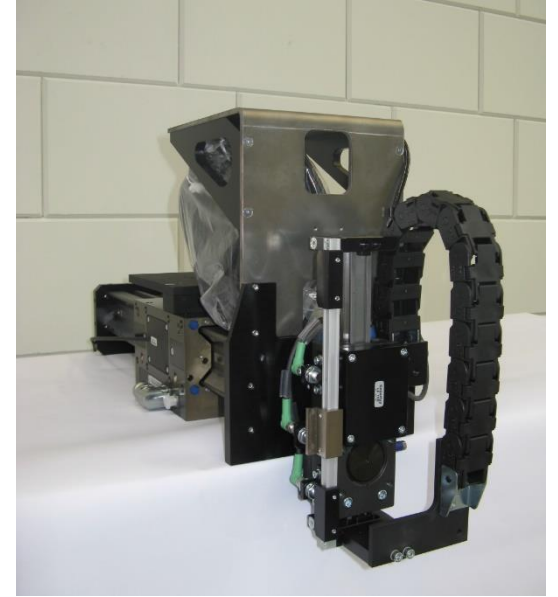


B40-ZSS



MPG+32

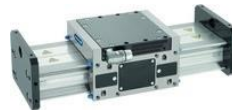
Pick & Place



Pick & Place

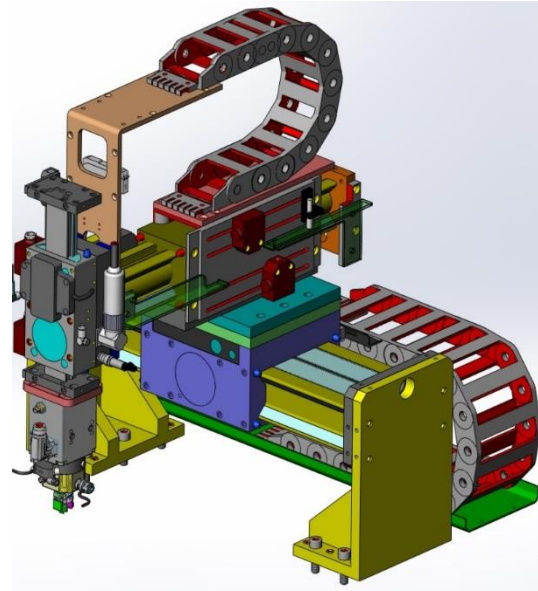
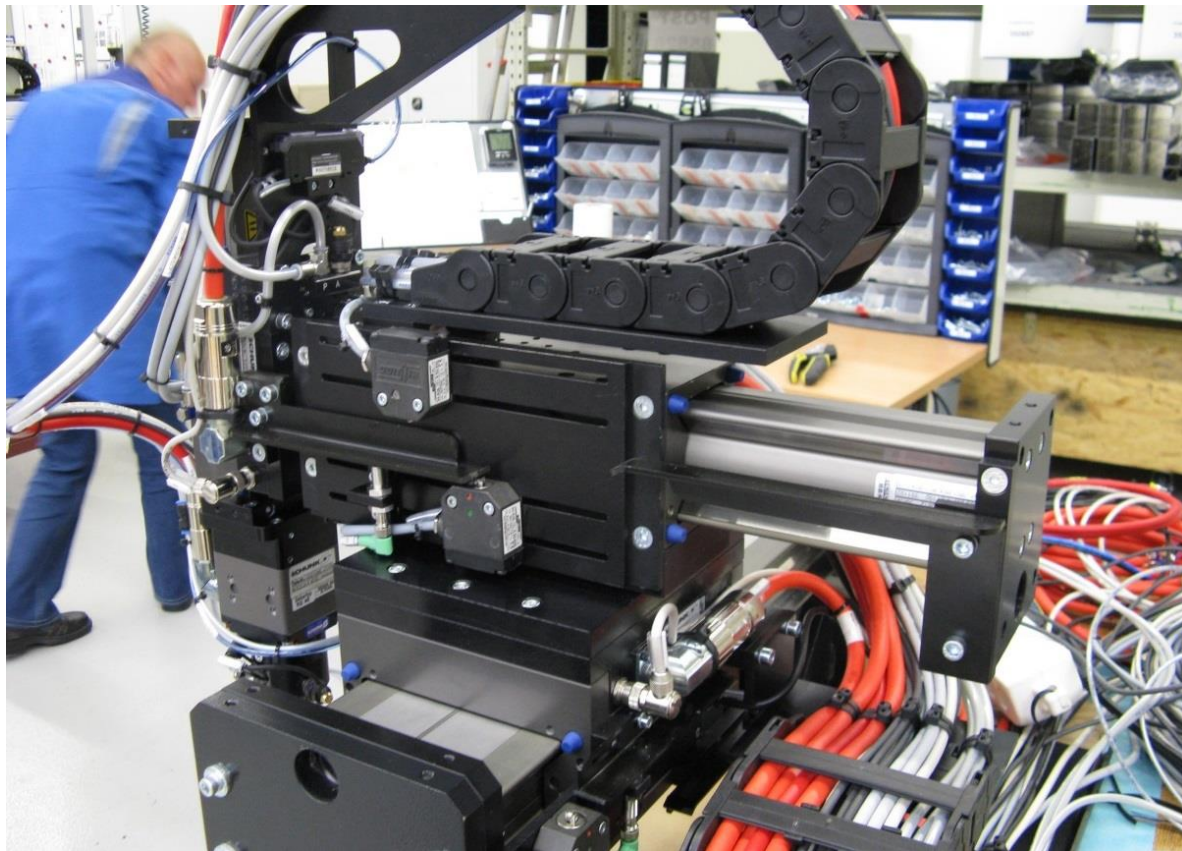


LDH-ES



LDM-ES

Pick & Place system



Pick & Place



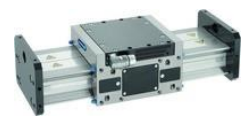
MRD-S 04



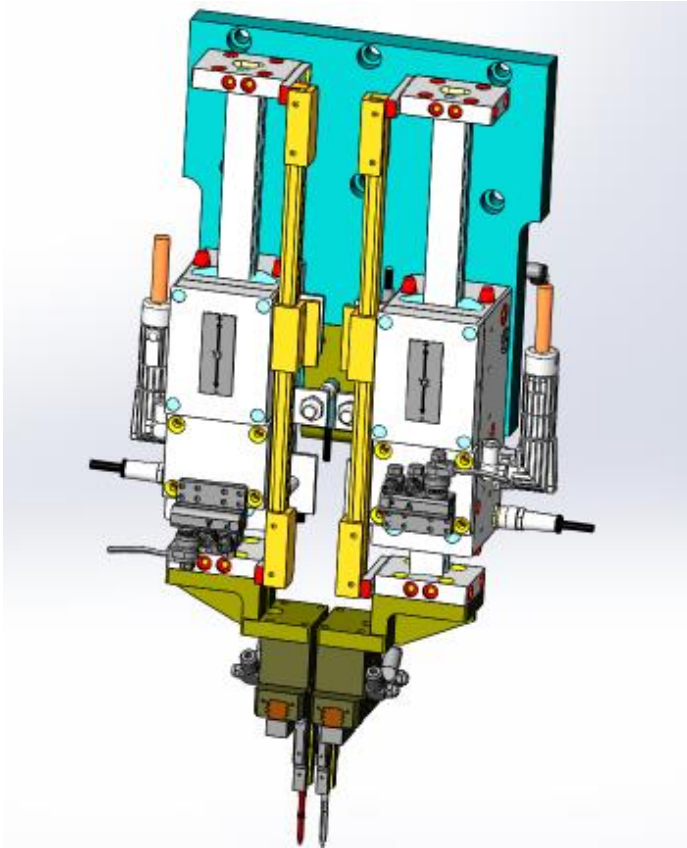
LDM-100-K



LDM-200-M



LDM-200-NAL

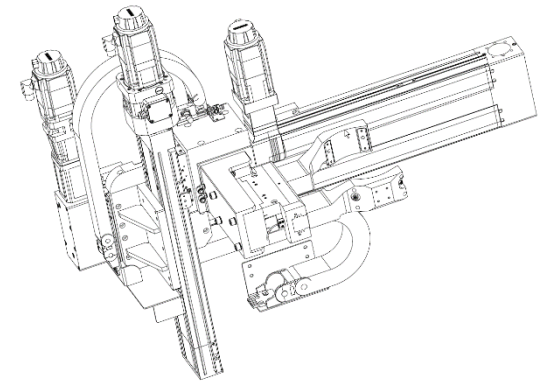


Pick & Place

LDx

Axis system

Pick & Place



PGN+240



D145-C-SSS

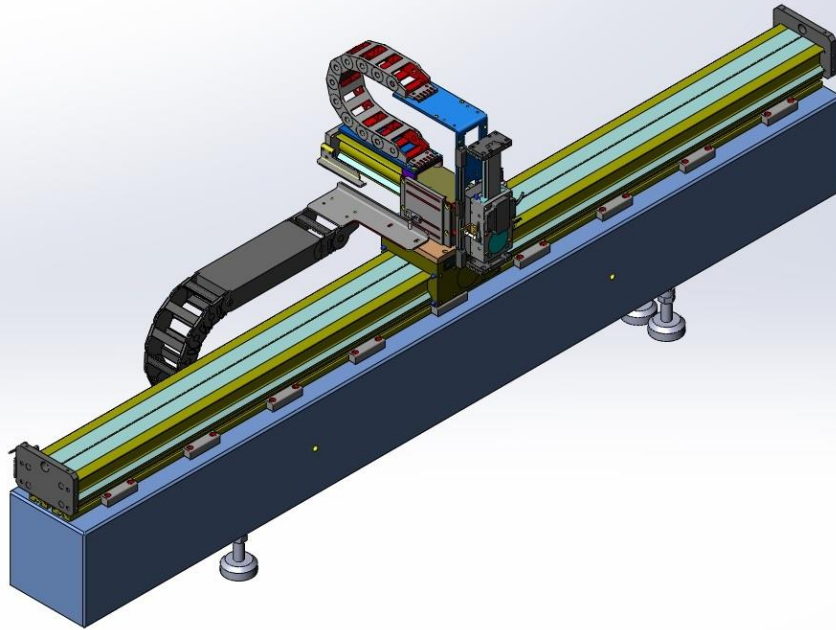


D200-ZSS



ERM-160

3-axis-system on granite



Inspection

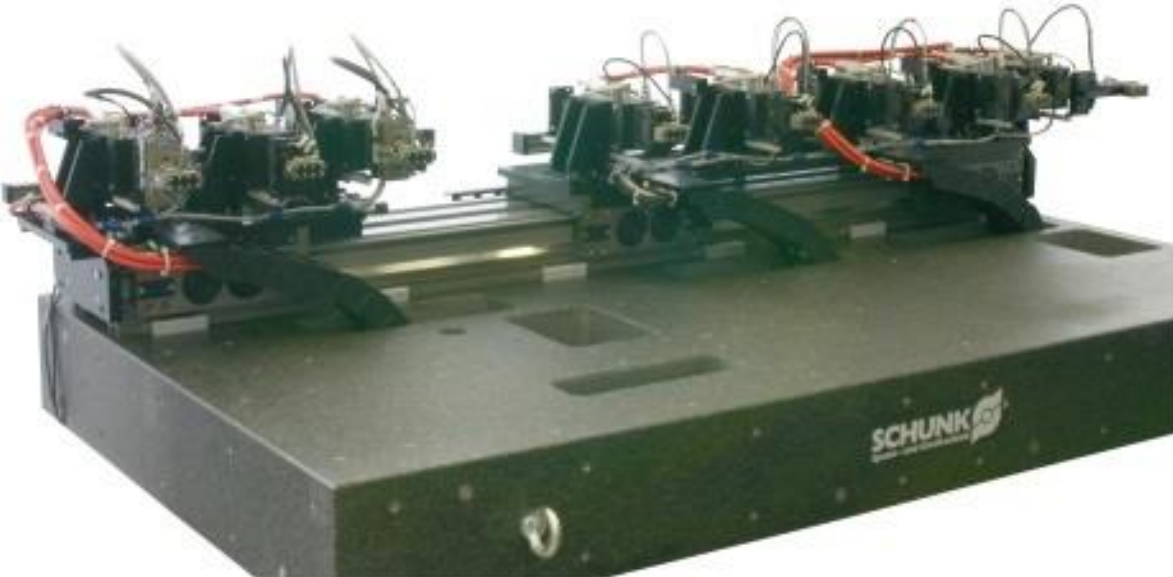


LD-100K-100

LDM-200MU

LD-100NA-200

De- / Loading of testing and processing stations



Inspection



DPG+40AS



MLD-100K

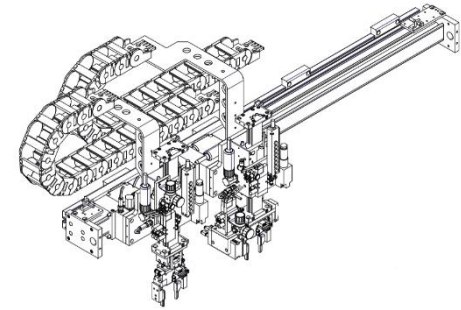
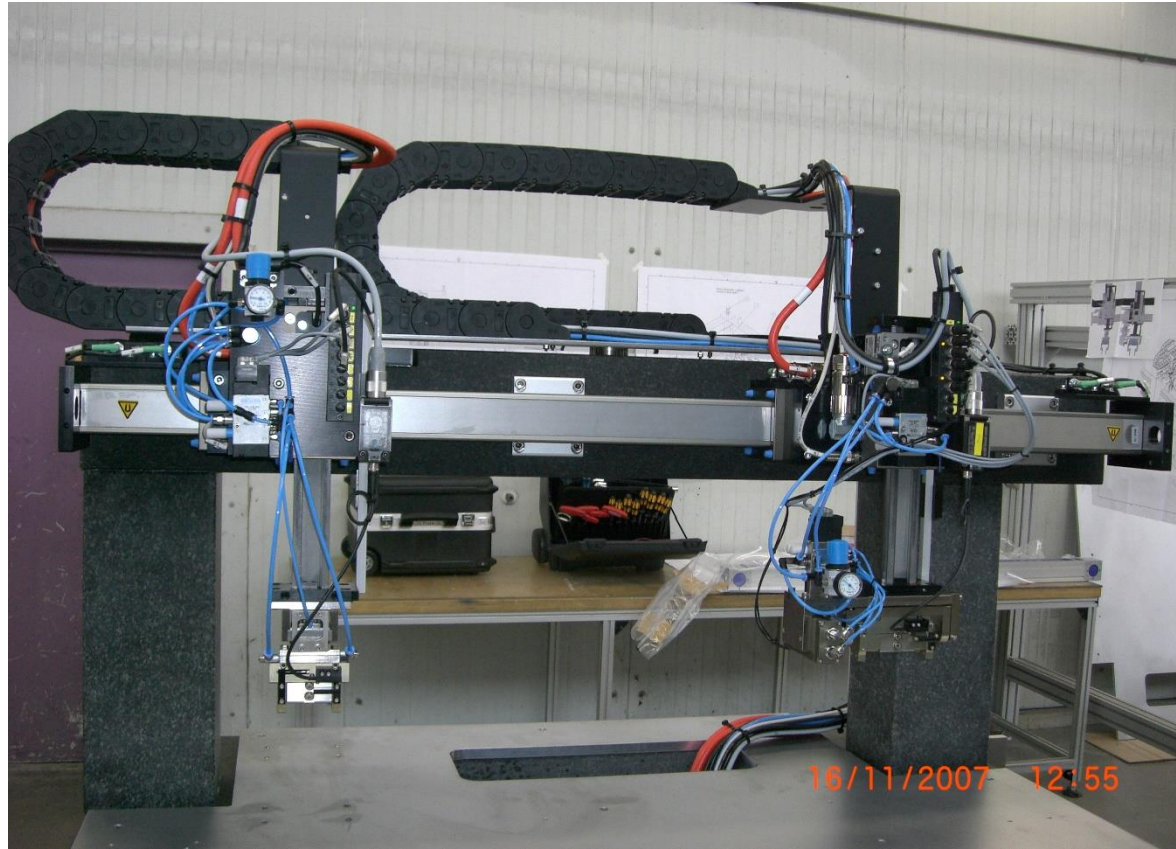


MLD-400TUL



MRU-14.2

Final inspection system



Inspection



MRU-14.2

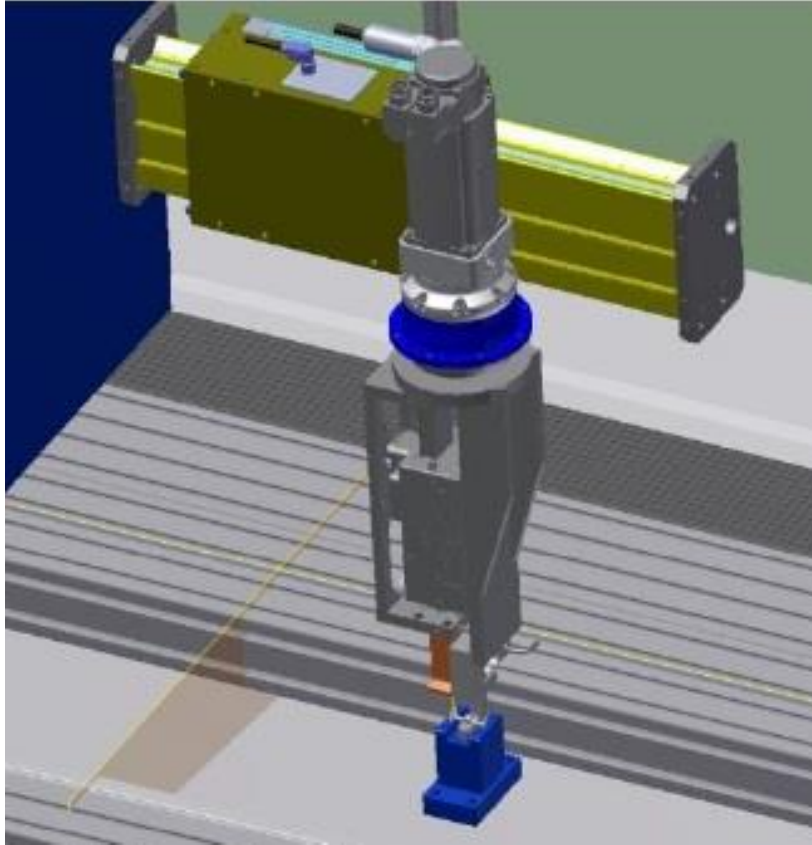


KGG-80



MLD-0100

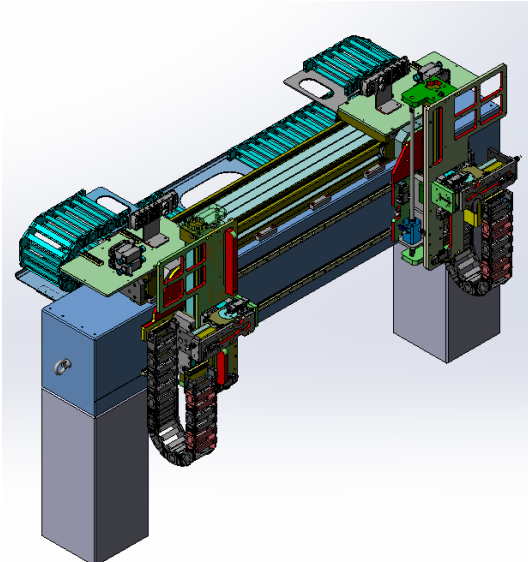
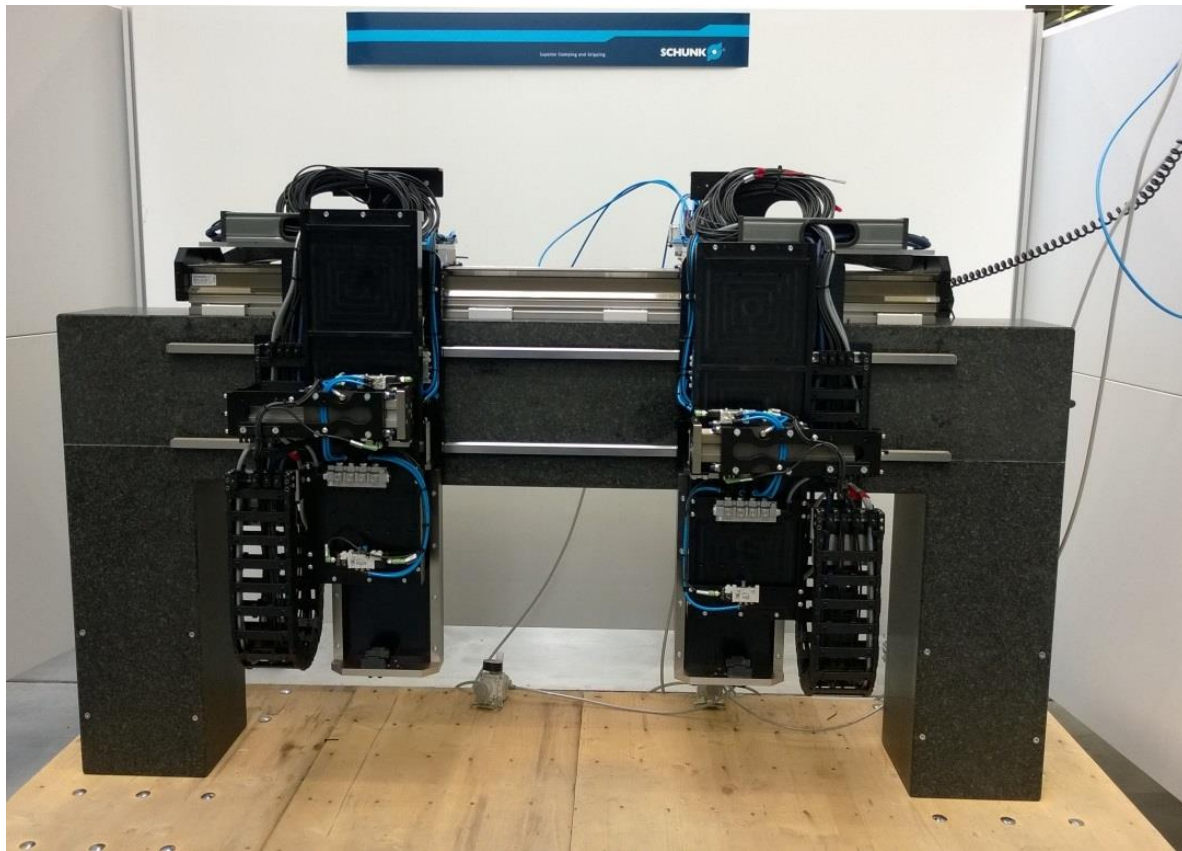
Measuring gantry for servo valves



Inspection

LDx

Linear gantry on granite



Inspection



LDP-DL

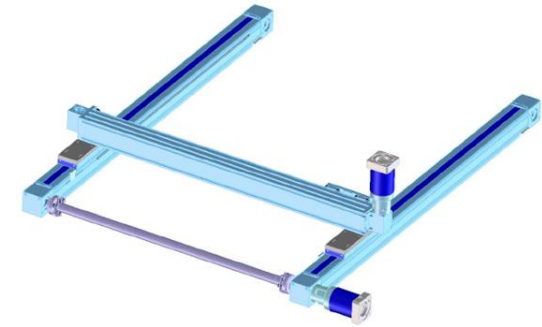
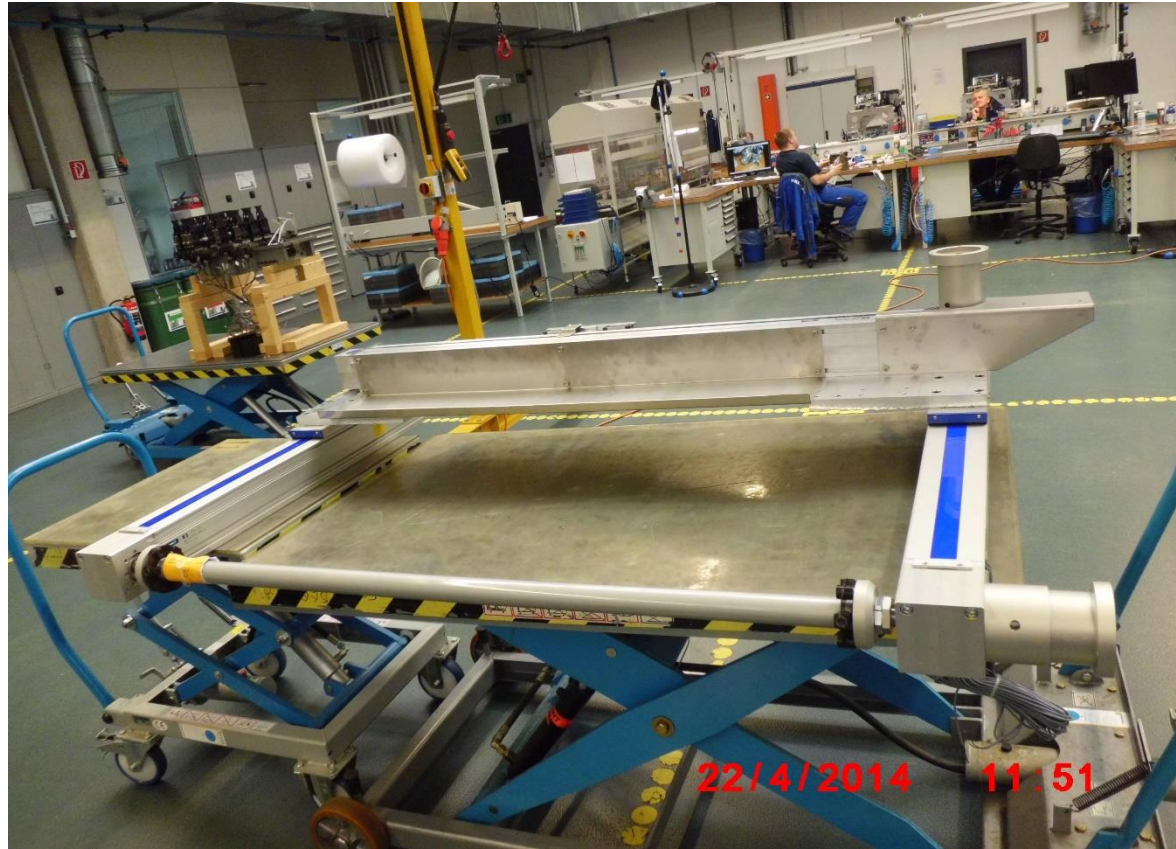


LDT-UL



LDN-ES

Surface gantry for sorting and turning pipes



Inspection

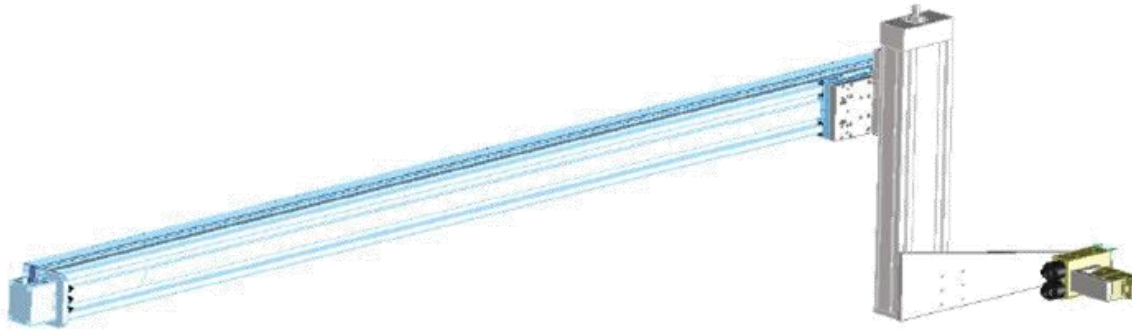


G120-ZSS



B110-ZSS

Loading a grinding machine



Machine tools



PGN+160



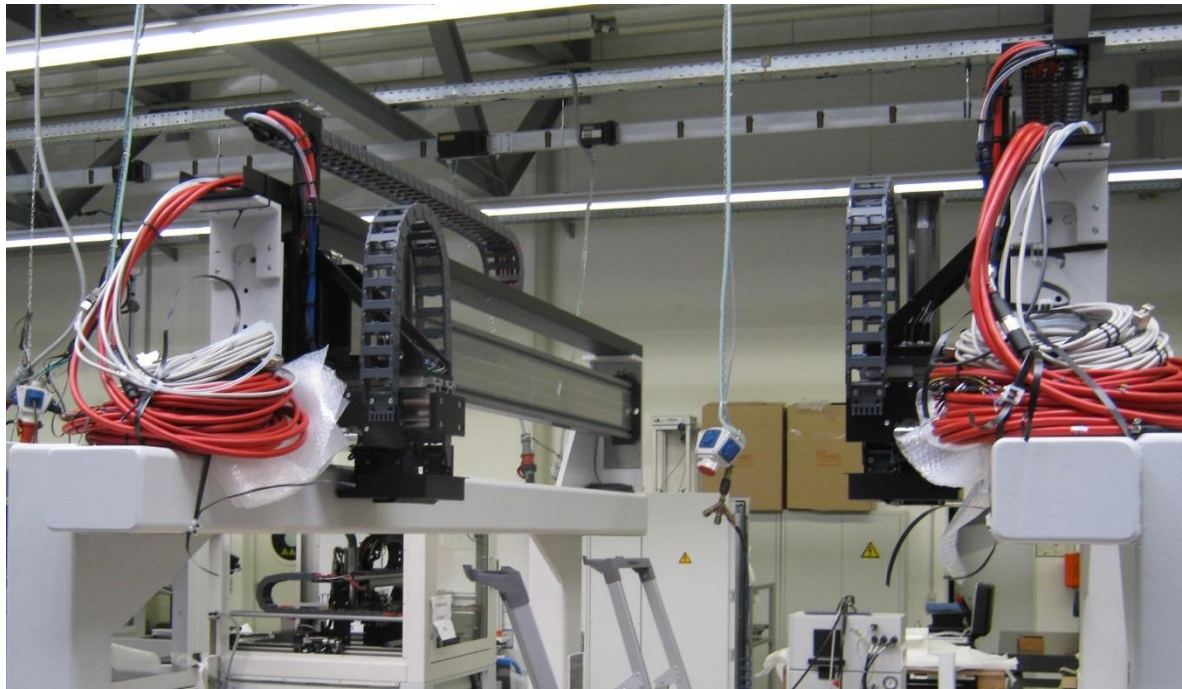
D200-SSS



G160-ZSS



SRU+50

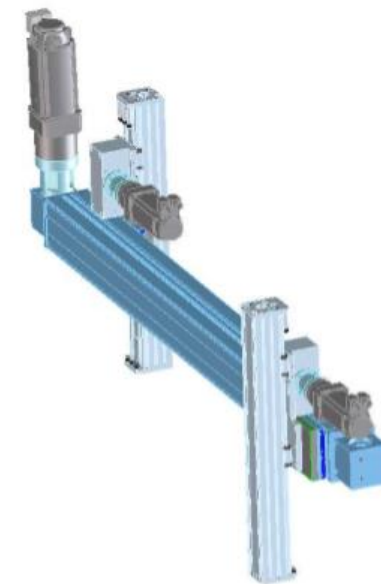


LDN-EL-0200



LDT-EL-0600

Translator module



Machine tools

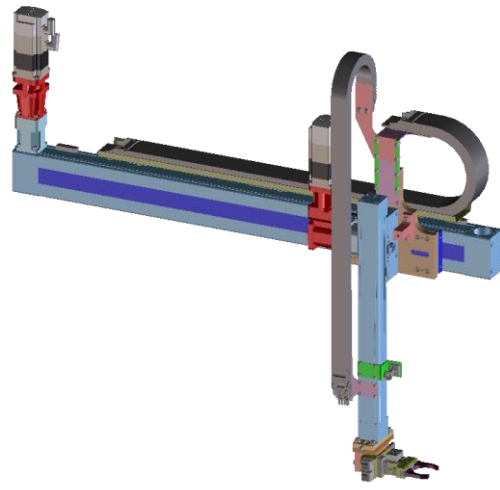
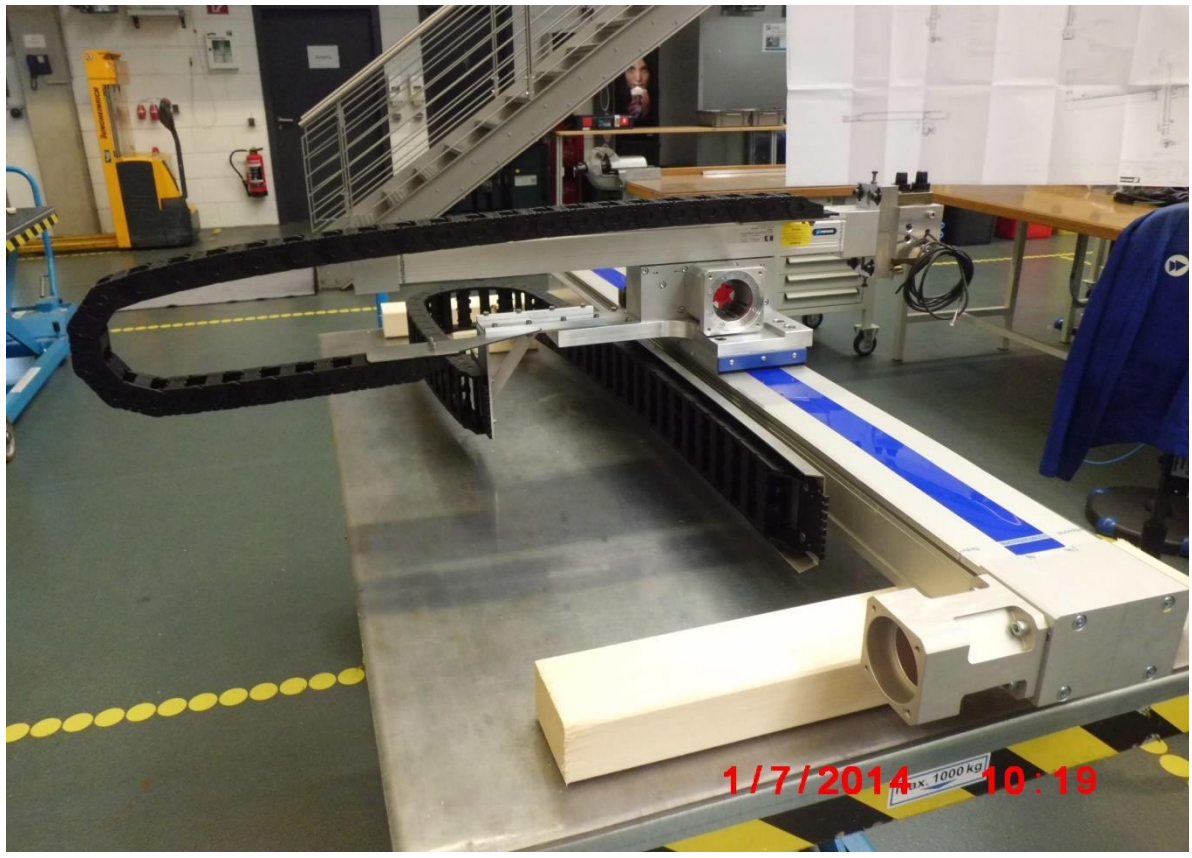


G120-ASH



D145-C-DHE

Handling system for coupling bodies



Machine tools



PGN+80



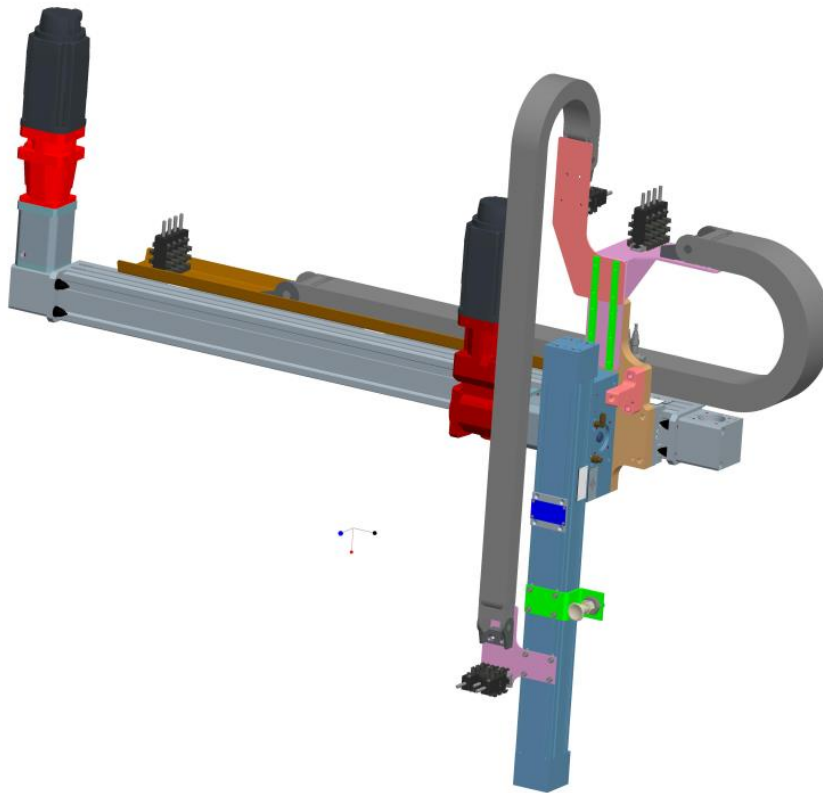
B140-ZSS



B70-C-ASS



SRU+20



Machine tools

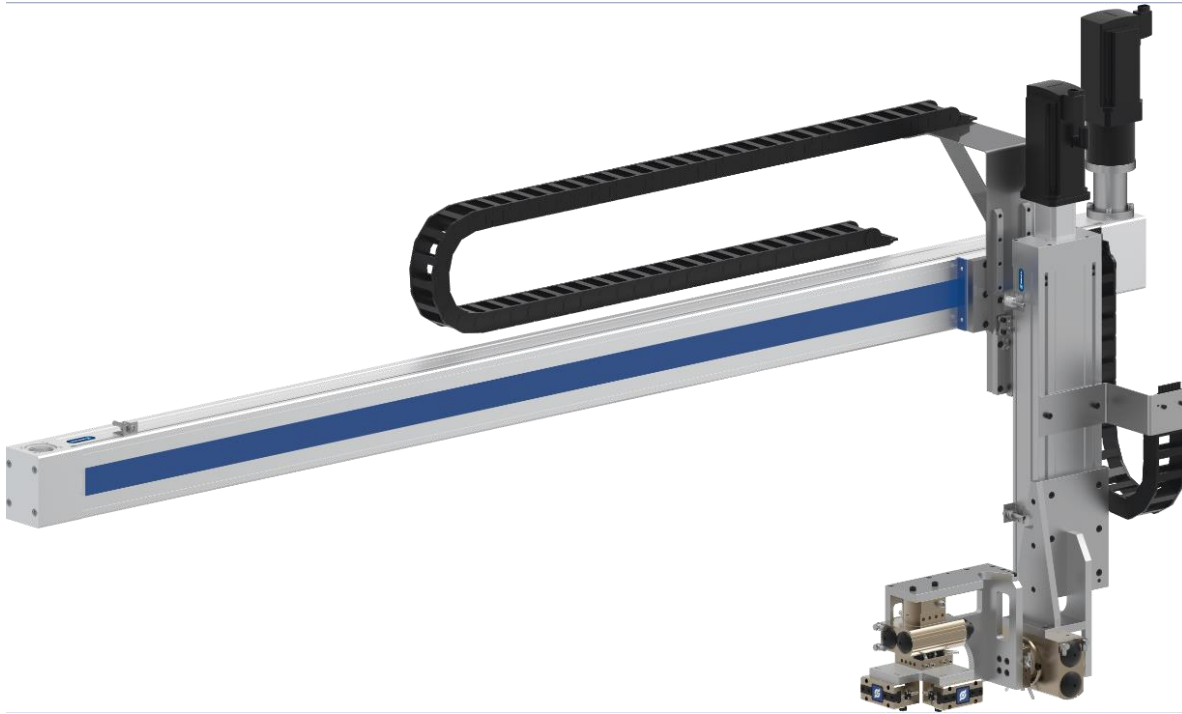


B70-C-ASS



G90-ZSS

Linear-rotary-gripping unit



Machine tools



JGP-125



D200-SSS



B180-C-ZSS



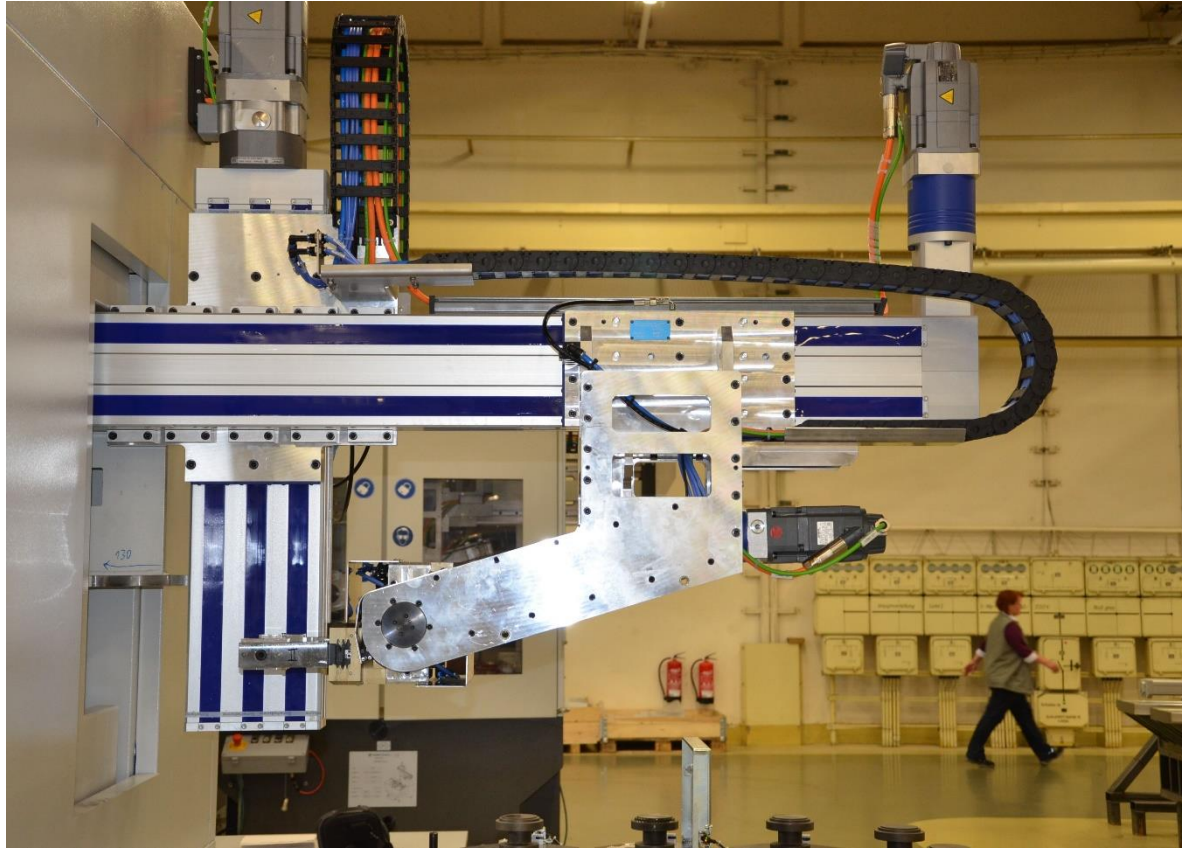
SRU+50



SRU+40

De- / Loading a gear cutting machine

Machine tools

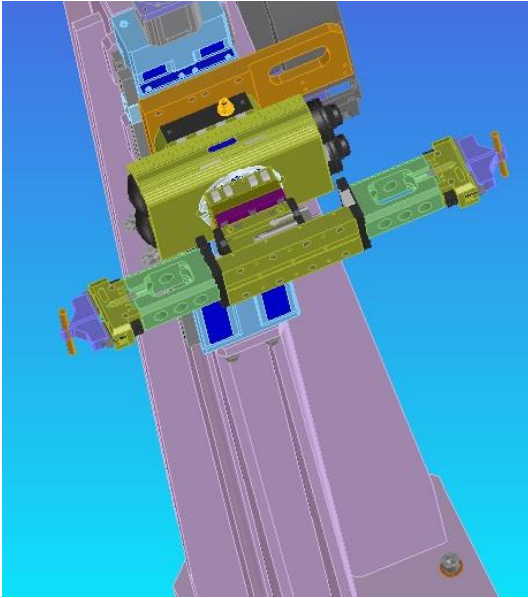


PGN+200



D200-ZSS

Drill handling – De- / Loading a grinding machine



Machine tools



SRU+50



LM-200

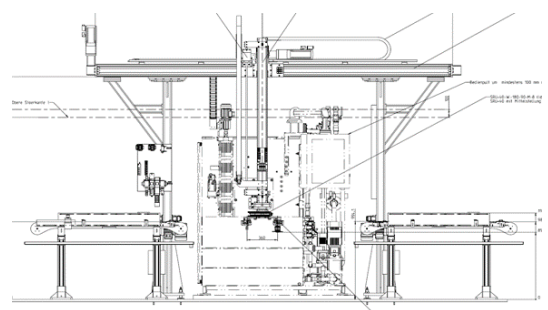


D145-SSS



PGN+80

De- / Loading an induction hardening plant



Machine tools



PGN+160



G120-AZSH



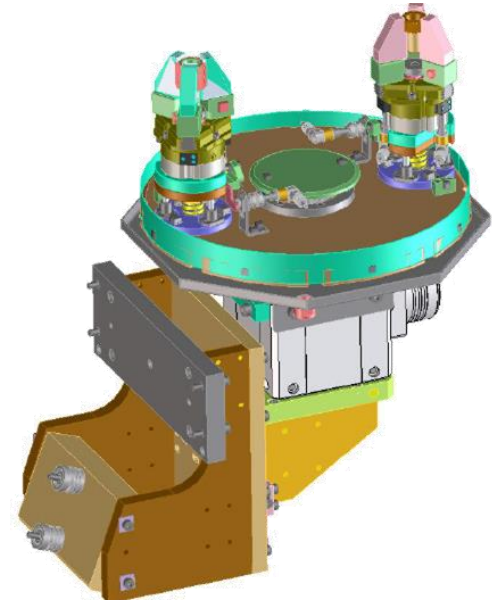
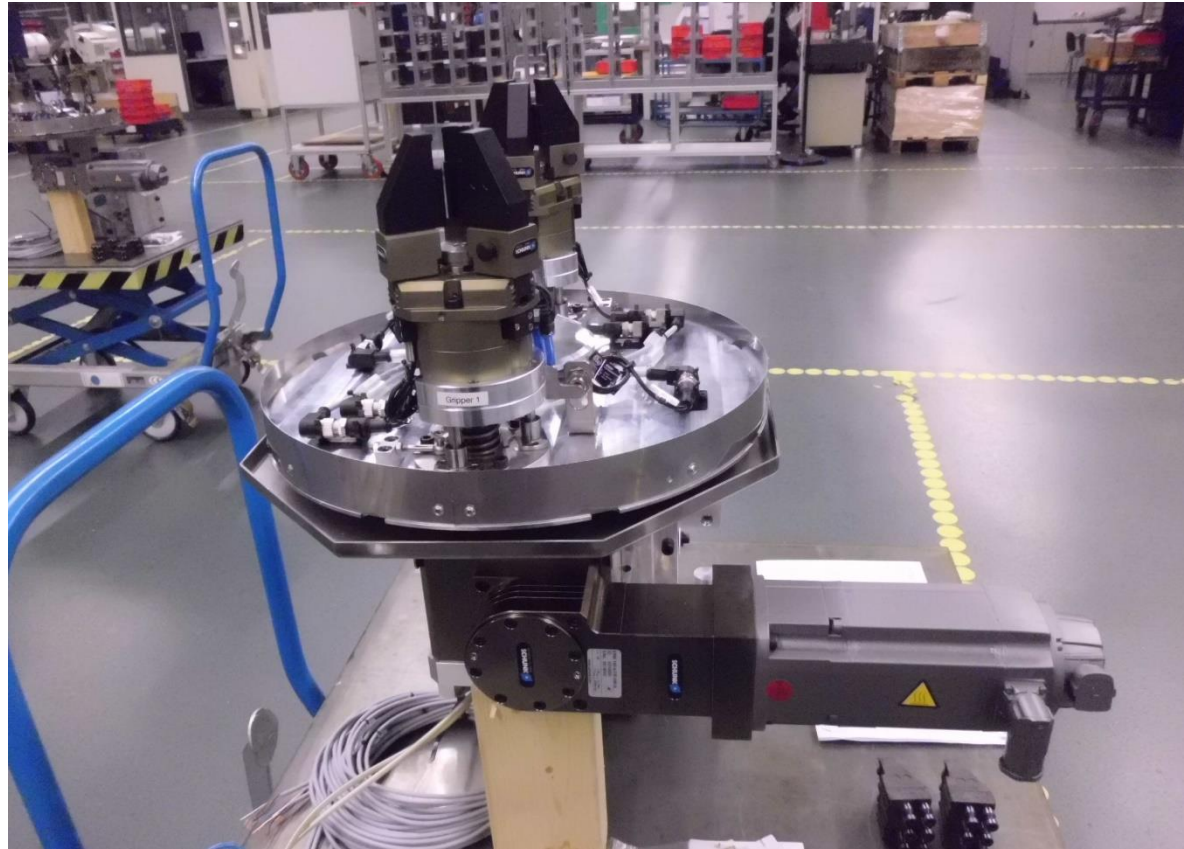
G160-SSS



SRU+40

Electric rotary loader

Machine tools



AGE

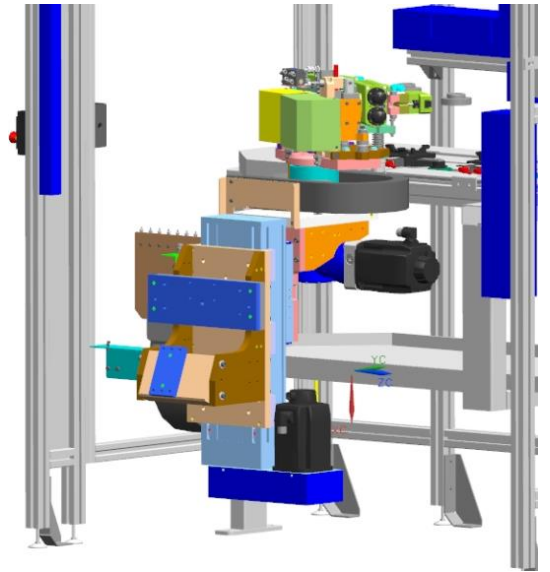


ERM 160



PZN+80

De- / Loading for gear fine-machining



Machine tools



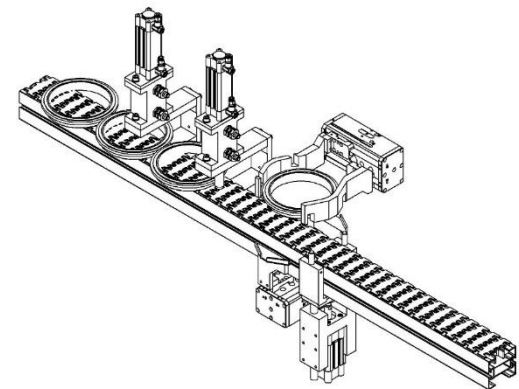
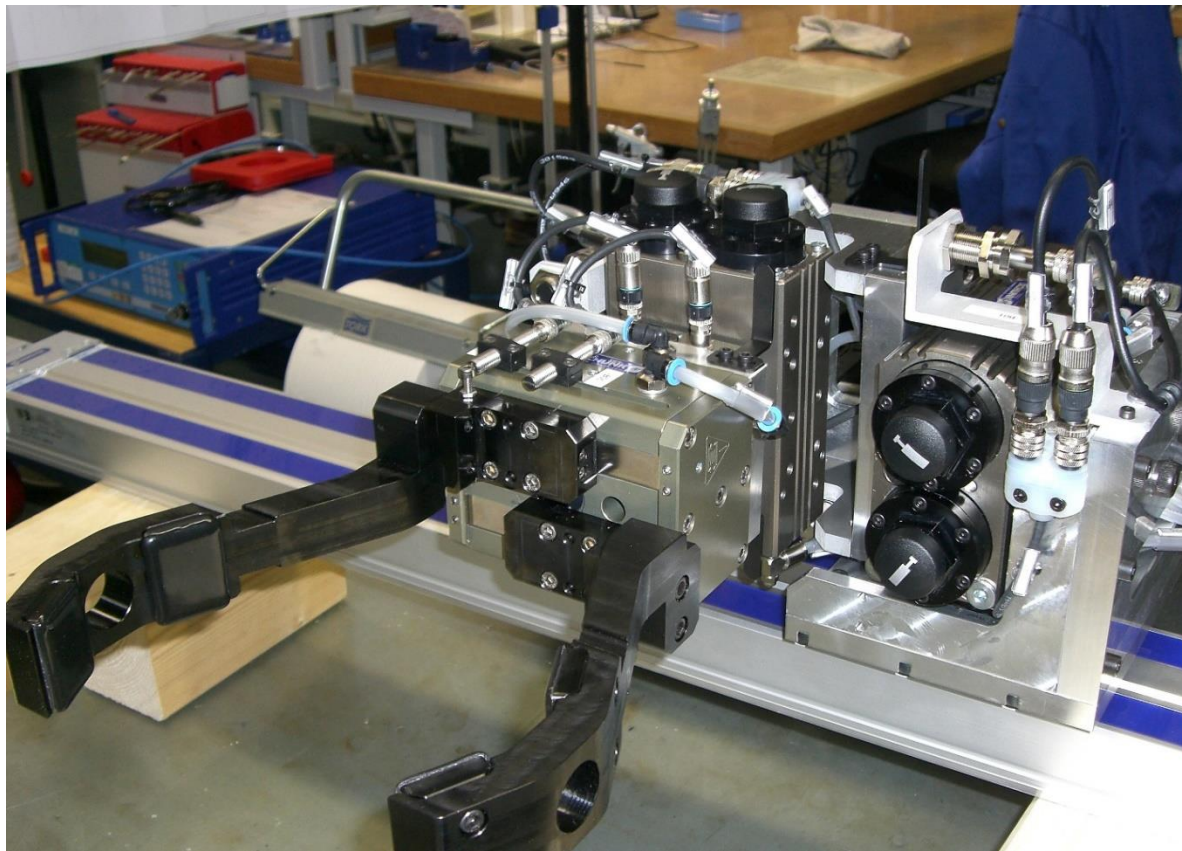
SRU+35



D200-SSS



PGN+100



SRU+40

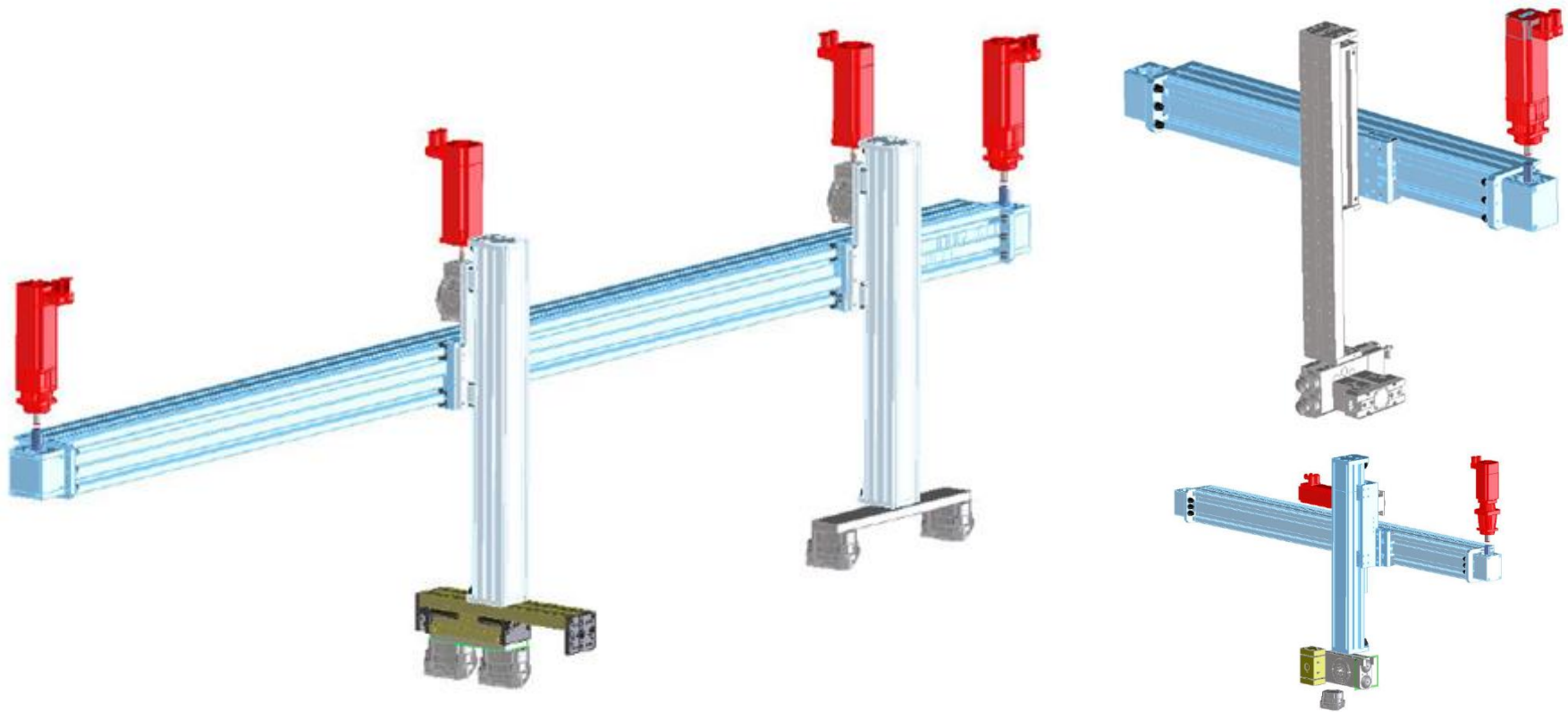


D110-SSS



PFH-30

Interlinking of machine tools



Machine tools



PZN+100



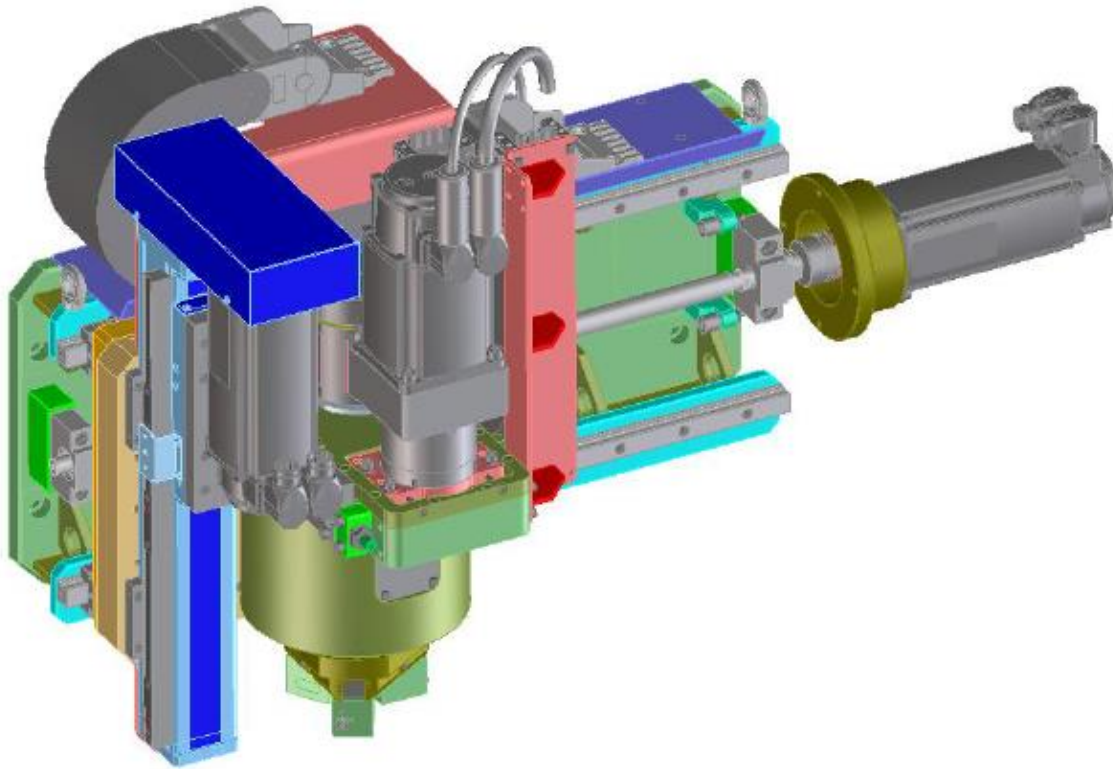
G90-ASH



G120-ZSSD



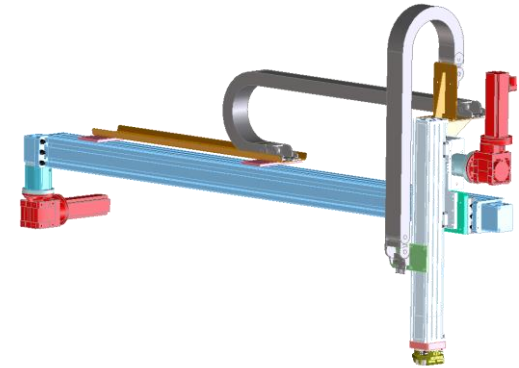
SRU+40



EZN-100

Transfer unit between machine tools

Machine tools



G90-ASH

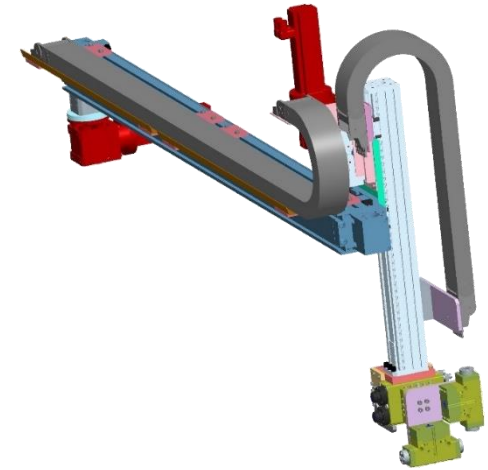


G120-ZSS



PZN+100

Linear-rotary-gripping unit



Machine tools



DPG+125



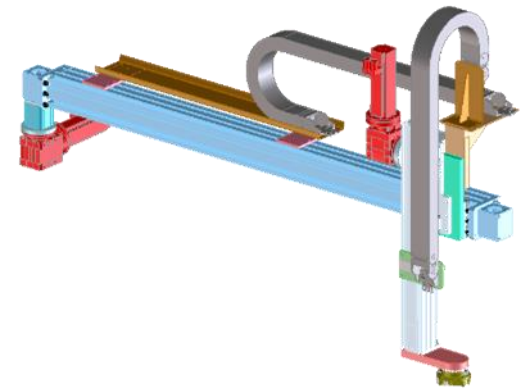
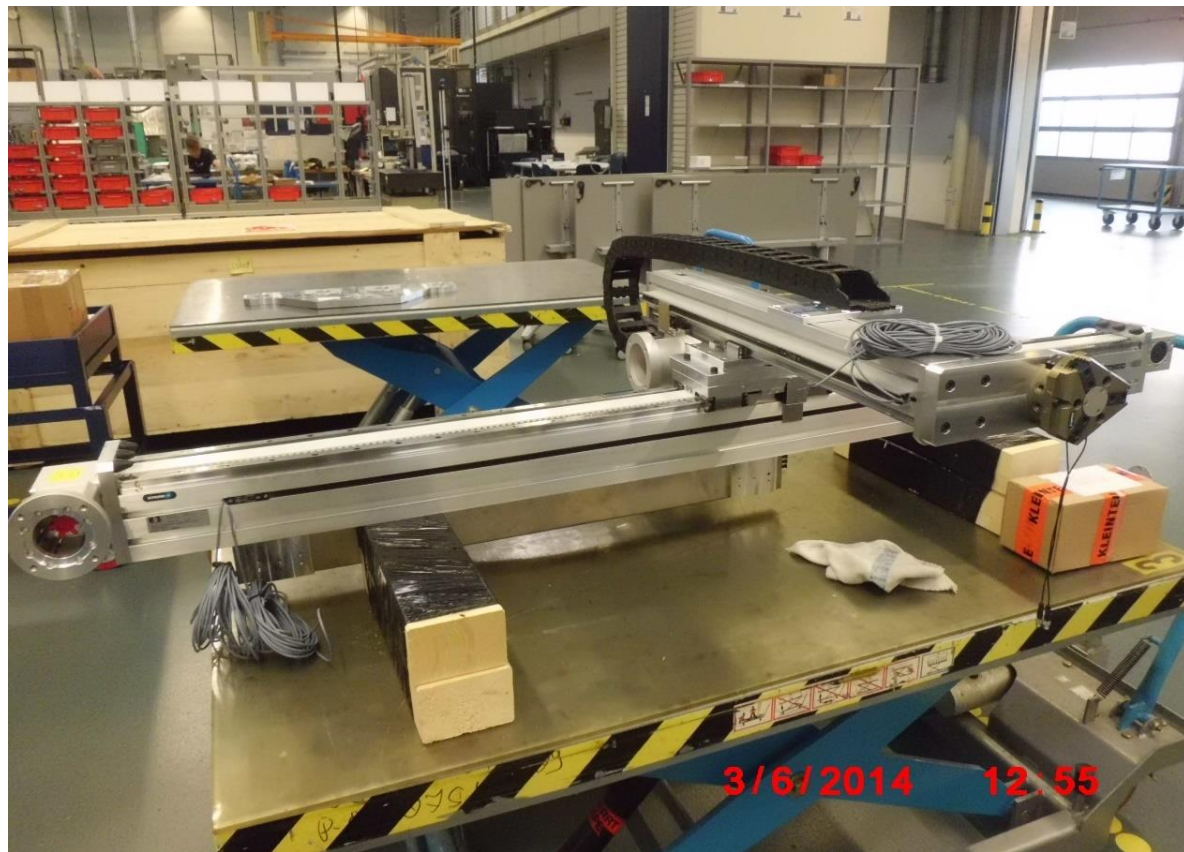
G90-ASH



G120-ZSS



SRU+40



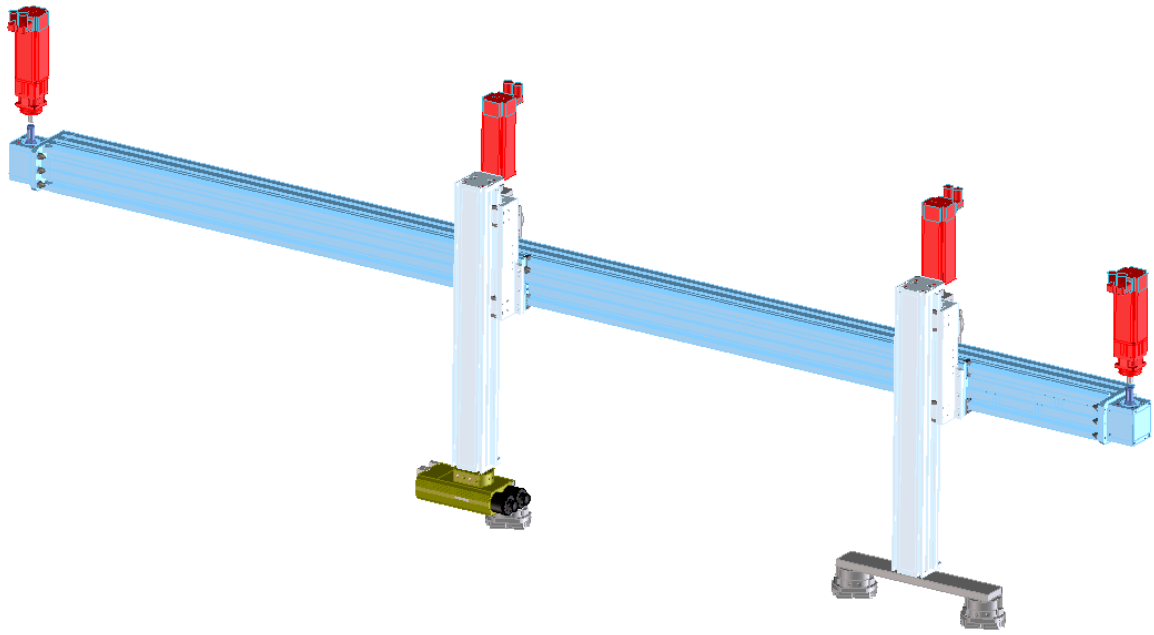
G120-ZSS



G60-ASH



PZN+100



SRU+40



G120-ZSSD



G90-ASH



PZN+100

Loading gantry

Machine tools



PZN+125



D240-C-ZSS

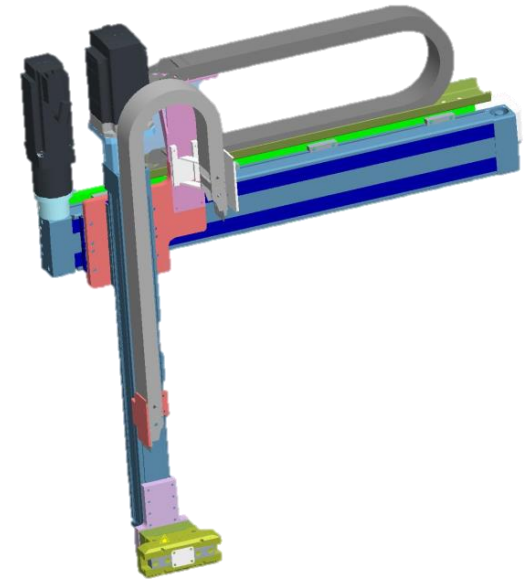
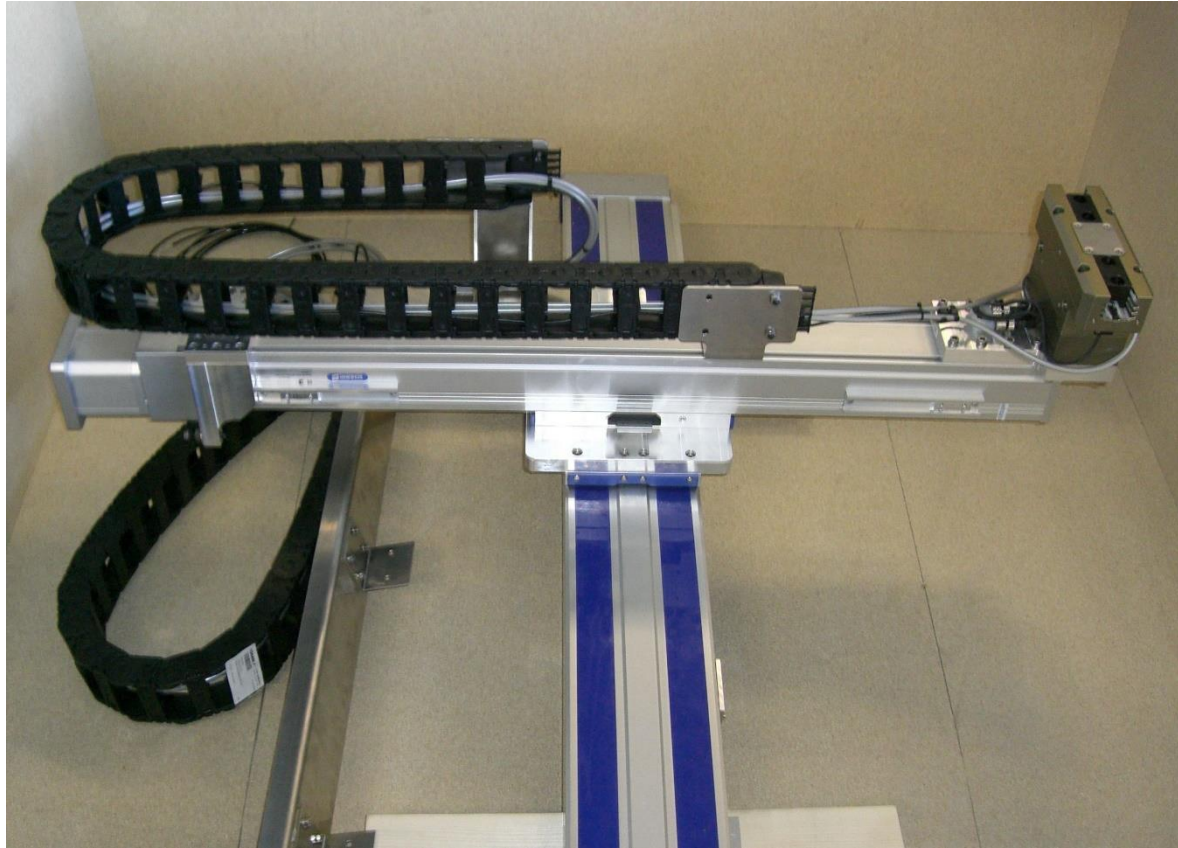


D145-SSS



SRH+40

Linear-gripping unit



Machine tools



B80-SSS

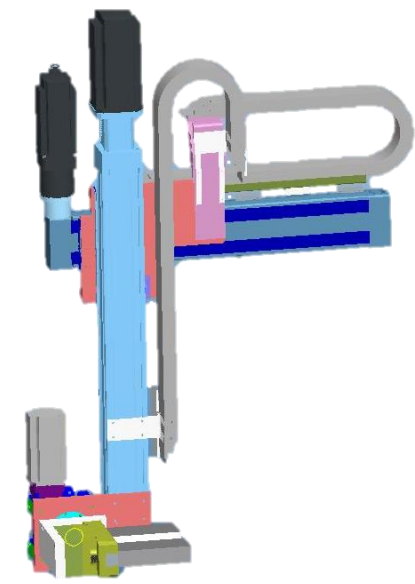


D145-ZSS



PGN+160

Linear-gripping unit



Machine tools



B110-SSS

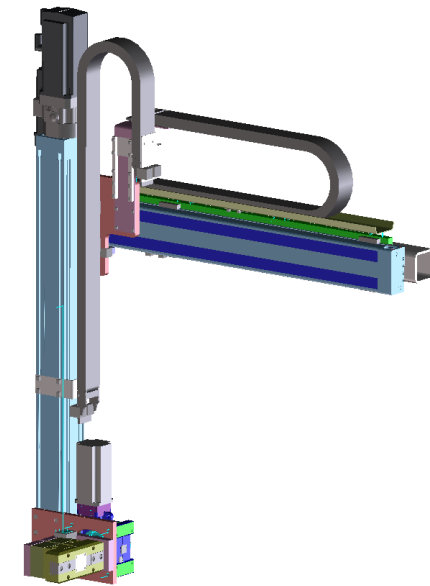
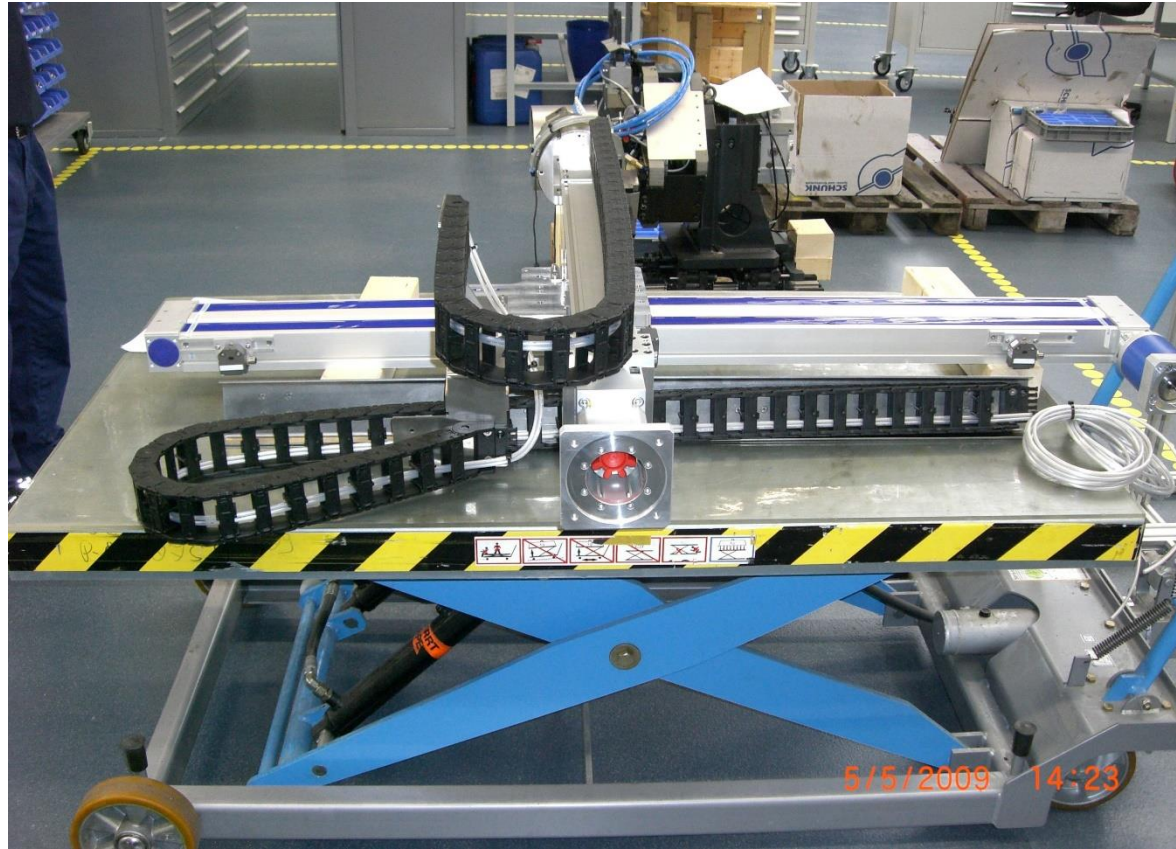


D145-ZSS



PGN+200

Linear gantry



Machine tools



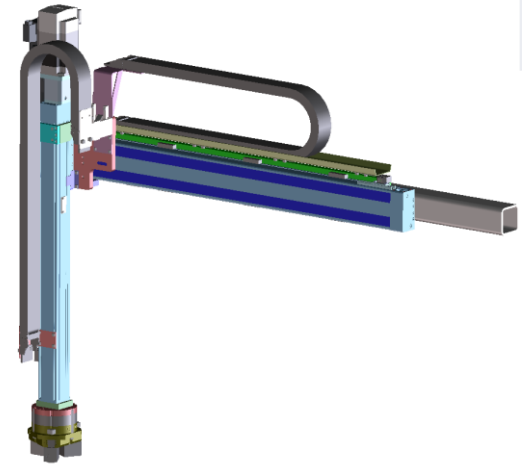
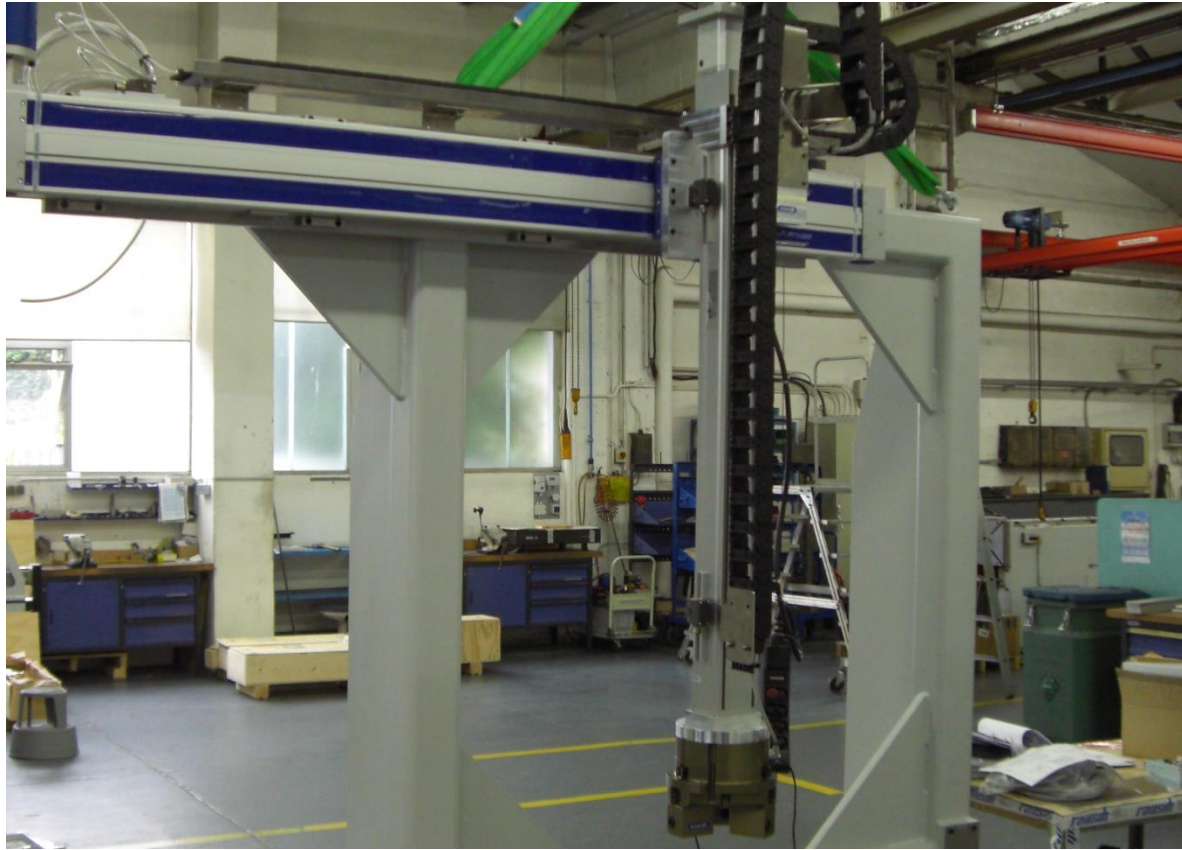
B110-SSS



D145-ZSS



PGN+200



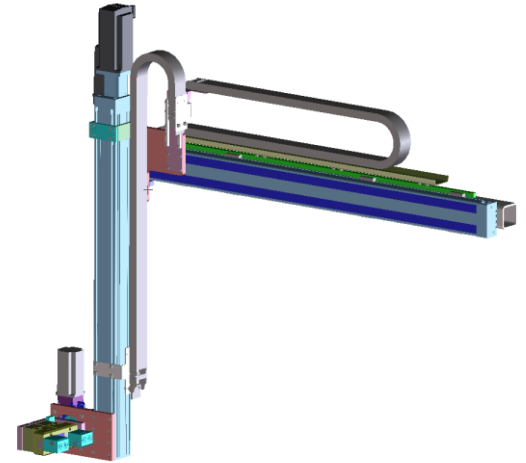
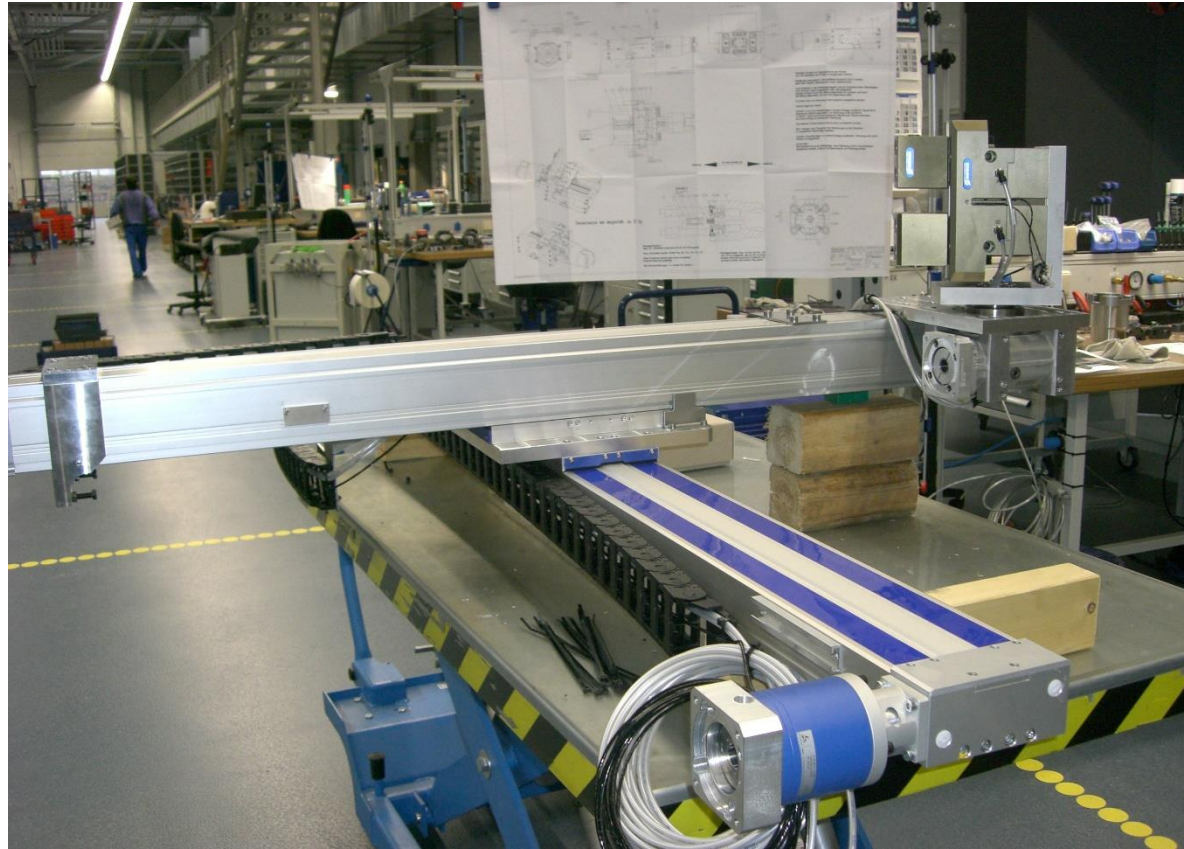
B80-SSS



D145-ZSS



PGN+160



Machine tools



B110-SSS

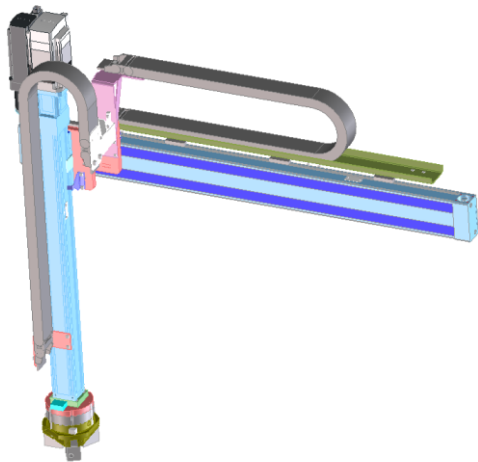


D145-ZSS



PGN+200

Handling system



Machine tools



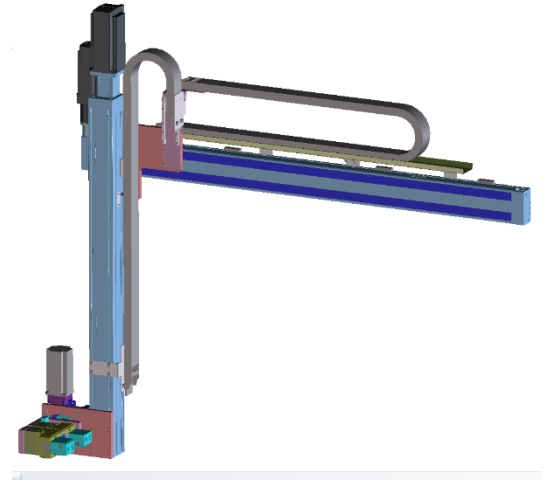
B80-SSS



D145-ZSS



PGN+160



B110-ZSS

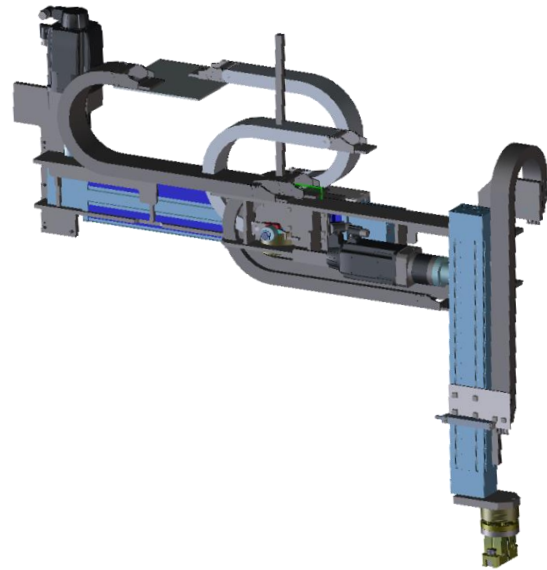


D145-ZSS



PGN+200

Loading module for tapered rollers



Machine tools



AGE-Z80



B100-D-ASS

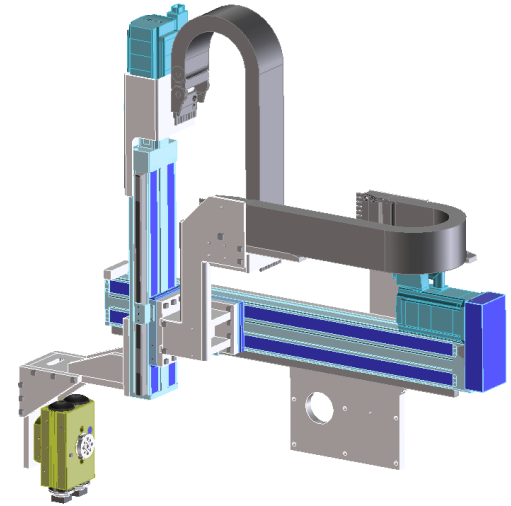


D145-DHE



PGN+100

Linear gantry



Machine tools

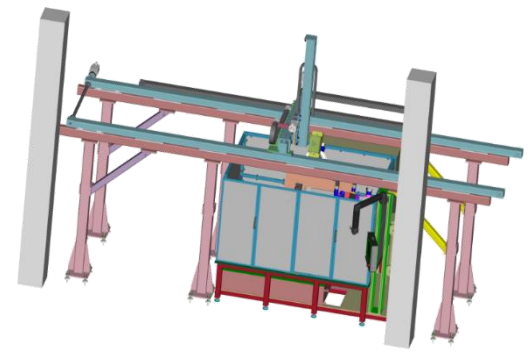


SRU+40



D110-SSS

Loading module for an ultrasonic machine



Machine tools



PGN+380



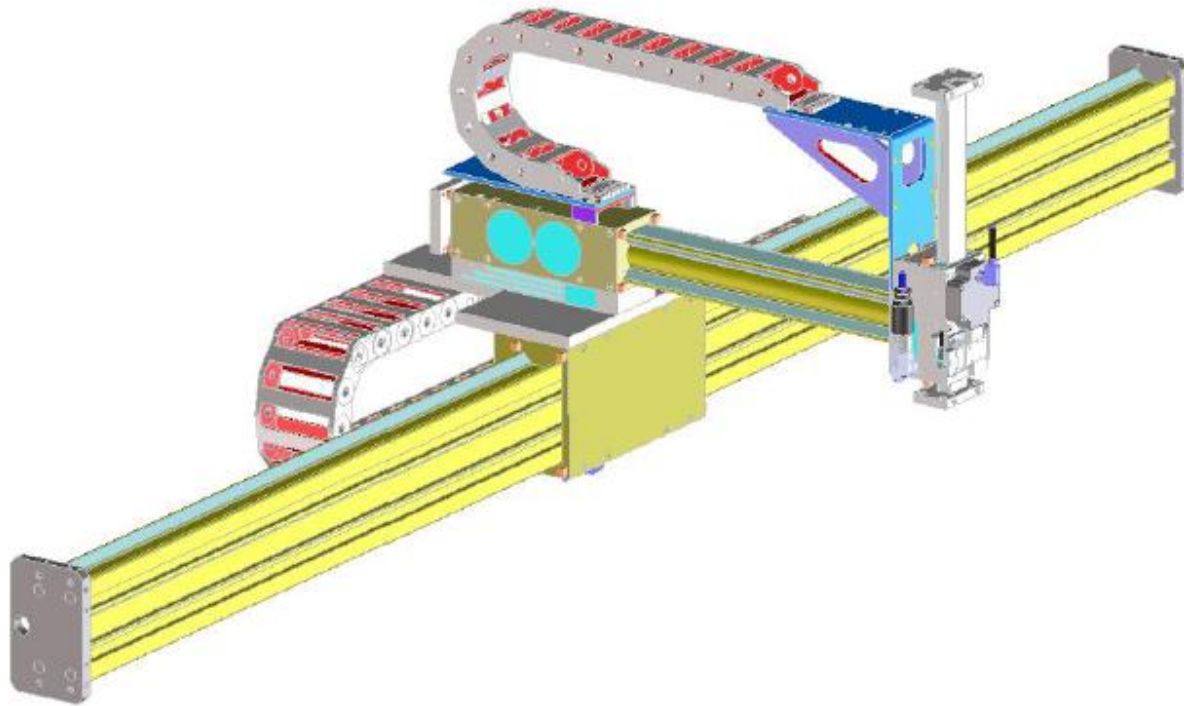
G160-AZSH



G220-ZSS

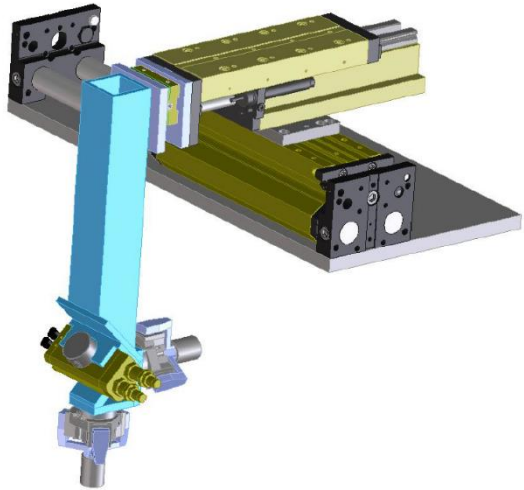


B120-C-ZSS



LDx

De- / Loading a grinding machine



Machine tools



SRU-14



CWS-80



KLM-300



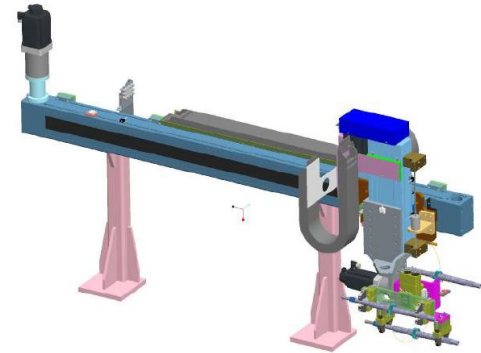
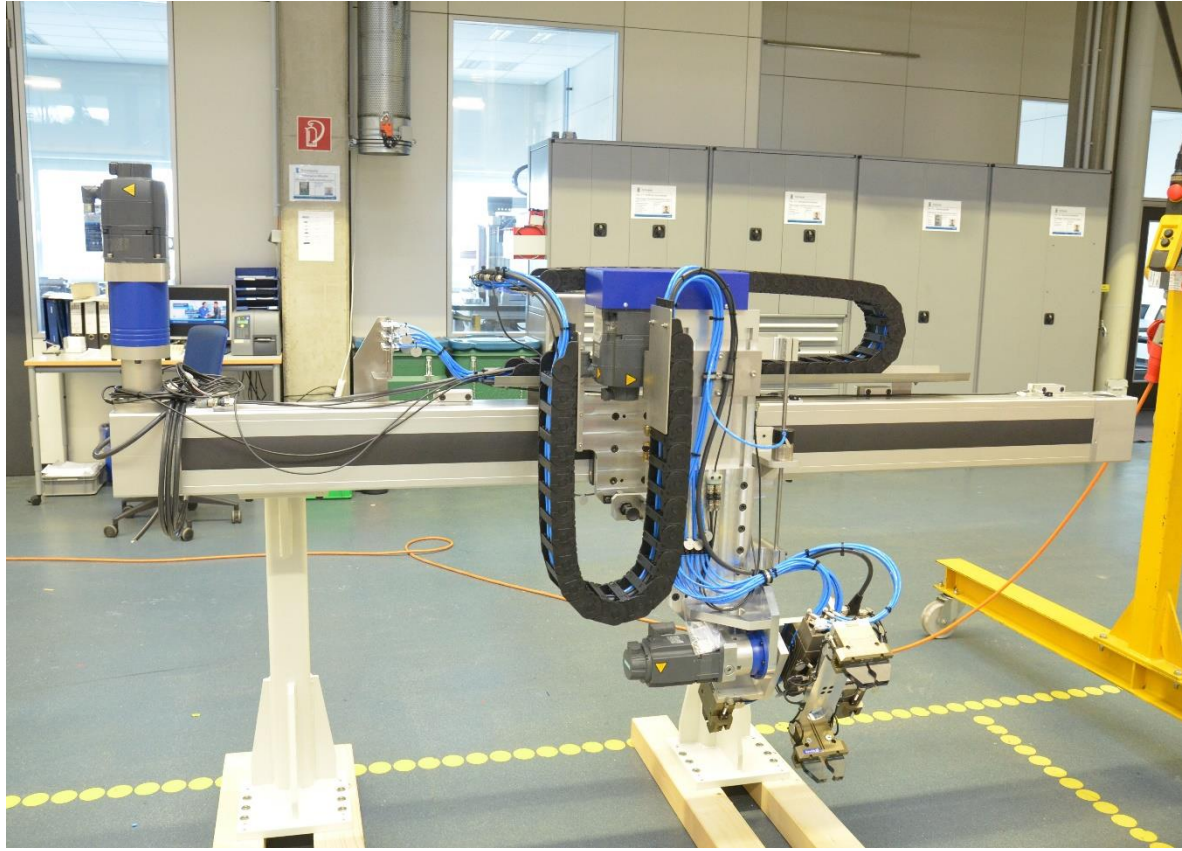
CLM-200



DPZ+40

Loading gantry

Machine tools



PGN+100



D200-SSS

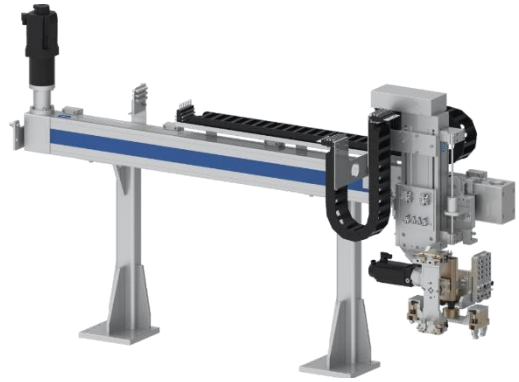


B180-C-ZSS



SRU+35

Linear-rotary-gripping gantry



Machine tools



PGN+100



D200-SSS



B180-C-ZSS



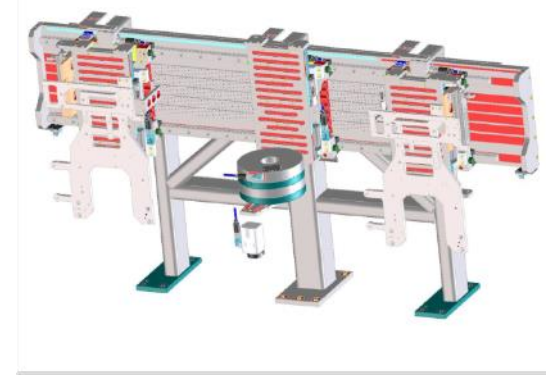
SRU+35



OPR

Special axes for solar cell production

Machine tools



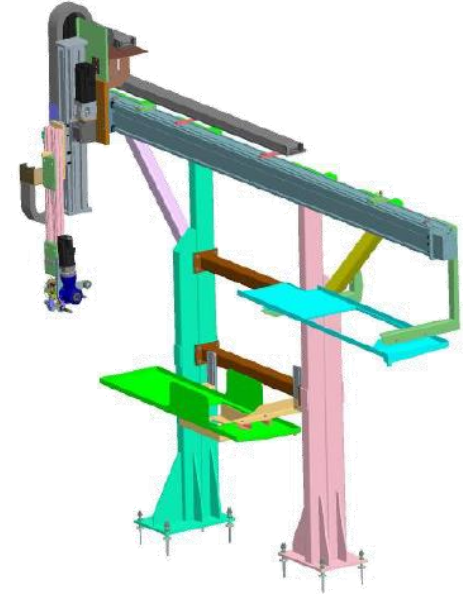
LDS-UL

LDS-UF

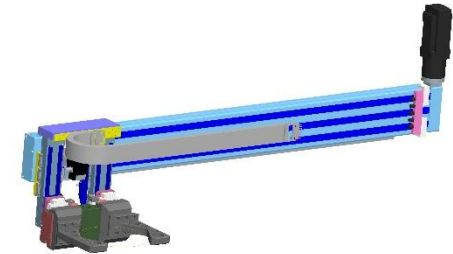
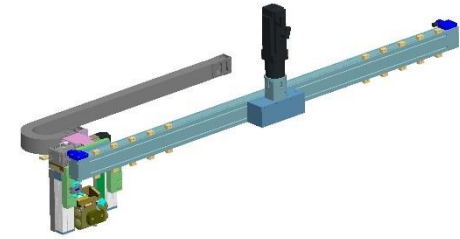
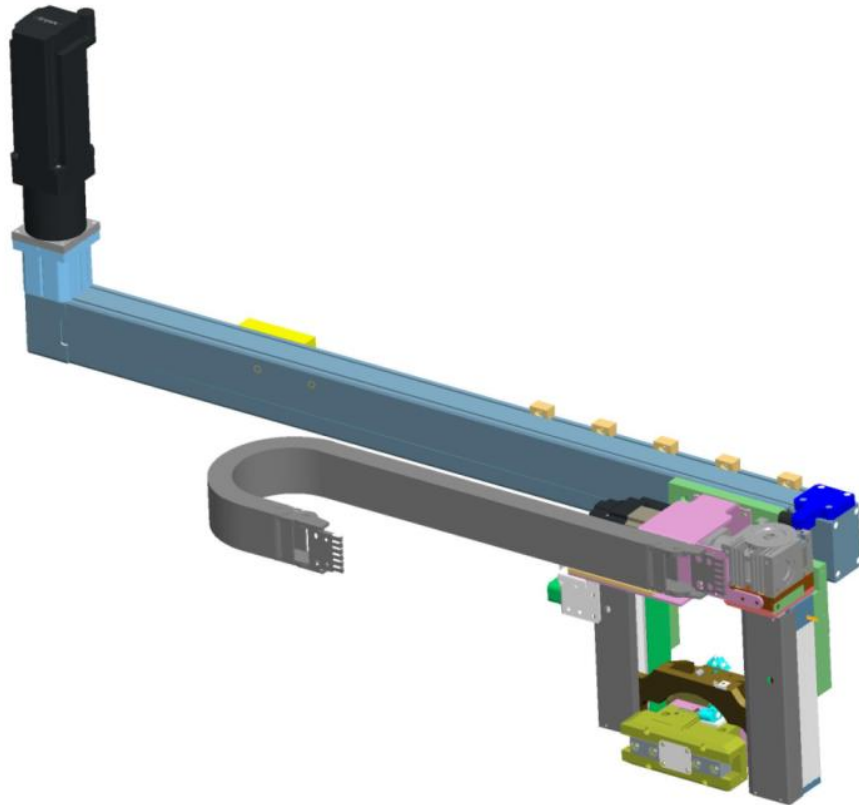


ERS-170

De- / Loading a milling machine

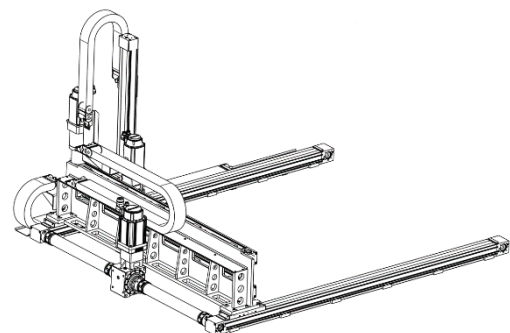


Machine tools



Machine tools

Linear-rotary-gripping unit



Machine tools



SRH+35



B80-C-ZSS



B100-ZSS



B100-D-ASS



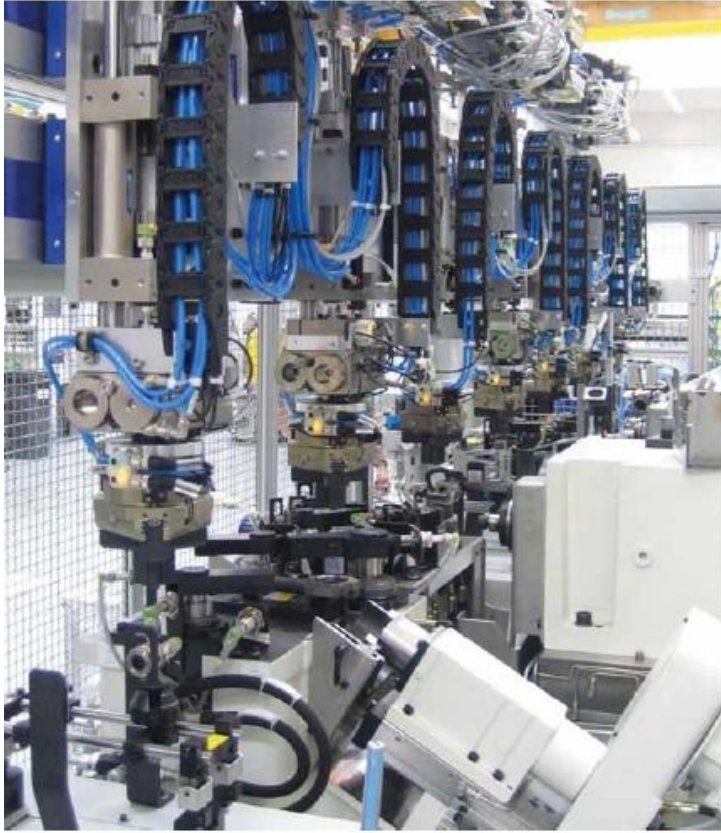
SLE 32-125

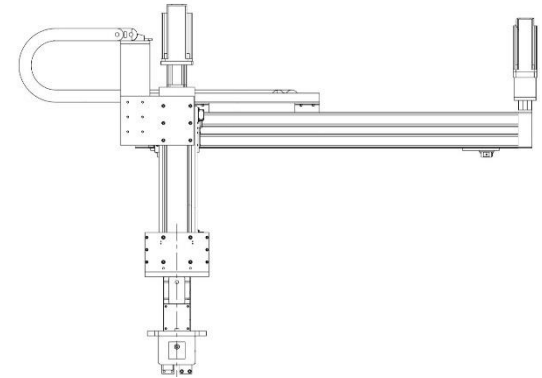
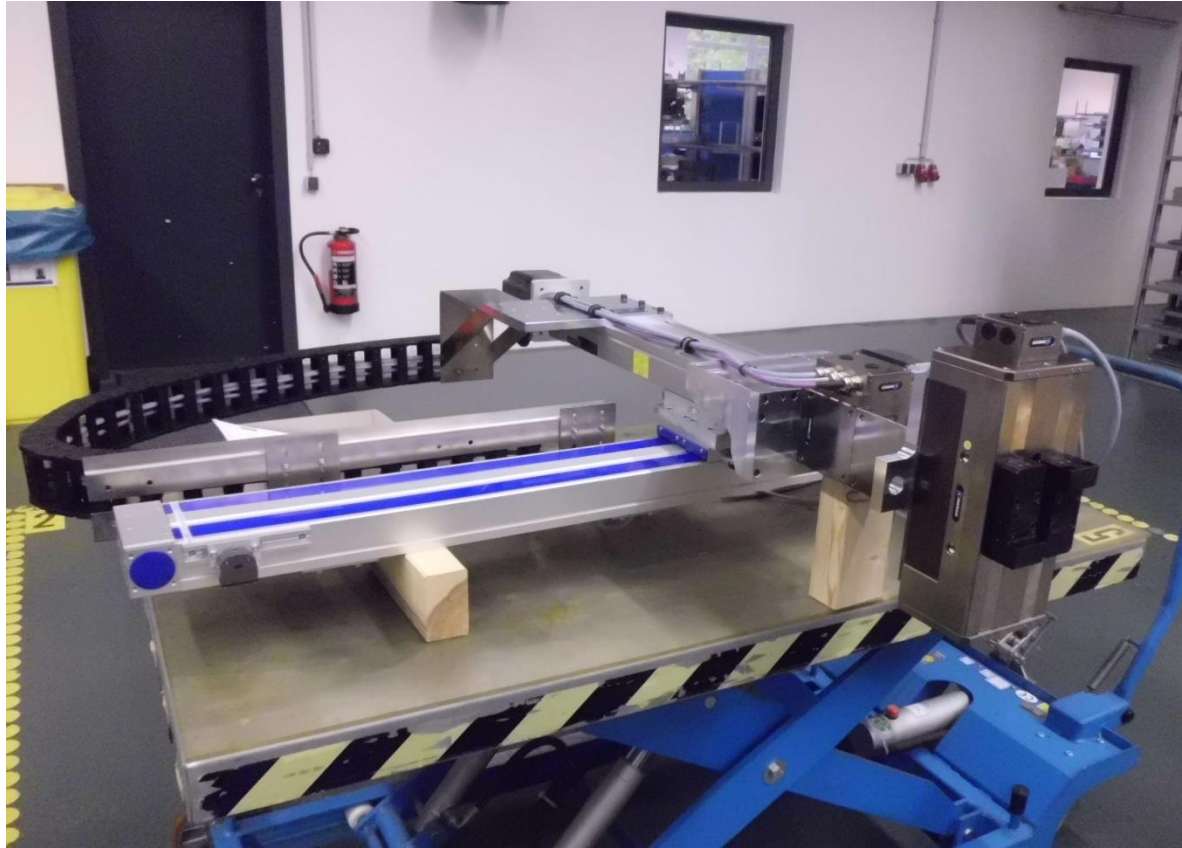


B80-C-ZSS



SRU+





PR-110



D145-SSS



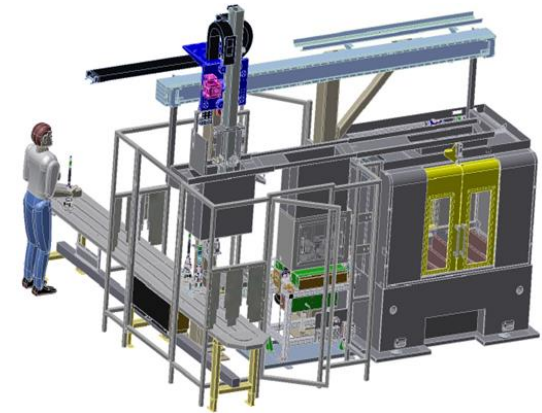
D145-ZSS



PEH-50

Automation for drive shaft machining

Machine tools / Automotive



SRU+40



Gamma-Achse



PGN+125

Superior Clamping and Gripping



© 2021 SCHUNK GmbH & Co. KG
schunk.com