

Assembly and operating manual

CMS

Manual change system

Translation of Original Operating
Manual

Imprint

Copyright:

This manual is protected by copyright. The author is SCHUNK SE & Co. KG.
All rights reserved.

Technical changes:

We reserve the right to make alterations for the purpose of technical improvement.

Document number: 1553577

Version: 07.00 | 26/01/2026 | en

Dear Customer,

Thank you for trusting our products and our family-owned company, the leading technology supplier of robots and production machines.

Our team is always available to answer any questions on this product and other solutions. Ask us questions and challenge us. We will find a solution!

Best regards,

Your SCHUNK team

Customer Management

Tel. +49-7133-103-2503

Fax +49-7133-103-2189

cmg@de.schunk.com



Please read the operating manual in full and keep it close to the product.

Table of Contents

1 General	5
1.1 About this manual.....	5
1.1.1 Presentation of Warning Labels	5
1.1.2 Applicable documents	6
1.1.3 Sizes.....	6
1.1.4 Variants	6
1.2 Warranty	7
1.3 Accessories	7
1.4 Scope of delivery.....	7
2 Basic safety notes	8
2.1 Intended use.....	8
2.2 Not intended use	8
2.3 Constructional changes.....	9
2.4 Spare parts	9
2.5 Ambient conditions and operating conditions	9
2.6 Personnel qualification	9
2.7 Personal protective equipment	10
2.8 Notes on safe operation.....	11
2.9 Transport.....	11
2.10 Malfunctions.....	11
2.11 Disposal	12
2.12 Fundamental dangers	12
2.12.1 Protection during handling and assembly	12
2.12.2 Protection during commissioning and operation	13
2.13 Notes on particular risks	14
3 Technical data	15
3.1 Name plate	15
3.2 Basic Data	15
4 Design and description	16
4.1 Design	16
4.2 Description	16
5 Assembly.....	17
5.1 Installing and connecting	17
5.2 Mechanical connection.....	18
5.3 Pneumatic connection.....	22
5.4 Mounting inductive proximity switch IN 30K-S-M8	23
5.5 Attachment options for optional modules.....	24

6 Operation	25
6.1 Unlocking	26
6.2 Locking	26
7 Maintenance	27
7.1 Notes	27
7.2 Maintenance intervals	27
7.3 Lubricants/Lubrication points	28
7.4 Spare and wearing parts	29
7.5 Mounting seals	30
8 Translation of the original declaration of incorporation	31
9 UKCA declaration of incorporation	32
10 Information on the RoHS Directive, REACH Regulation and Substances of Very High Concern (SVHC)	33

1 General

1.1 About this manual

This manual contains important information for a safe and appropriate use of the product.

This manual is an integral part of the product and must be kept accessible for the personnel at all times.

Before starting work, the personnel must have read and understood this operating manual. Prerequisite for safe working is the observance of all safety instructions in this manual.

In addition to these instructions, the documents listed under ▶ 1.1.2 [6] are applicable.

NOTE: The illustrations in this manual are intended to provide a basic understanding and may deviate from the actual version.

1.1.1 Presentation of Warning Labels

To make risks clear, the following signal words and symbols are used for safety notes.



⚠ DANGER

Dangers for persons!

Non-observance will inevitably cause irreversible injury or death.



⚠ WARNING

Dangers for persons!

Non-observance can lead to irreversible injury and even death.



⚠ CAUTION

Dangers for persons!

Non-observance can cause minor injuries.

NOTICE

Material damage!

Information about avoiding material damage.

1.1.2 Applicable documents

- General terms of business *
- Catalog data sheet of the purchased product *

The documents labeled with an asterisk (*) can be downloaded from schunk.com/downloads.

1.1.3 Sizes

This operating manual applies to the following sizes:

- CMS 040
- CMS 050
- CMS 063
- CMS 080
- CMS 100
- CMS 125

1.1.4 Variants

This operating manual applies to the following variations:

- CMS -K: Manual change head
- CMS -A: Manual change adapter
- CMS -A-N: Manual change adapter with special bolt-on pattern (same pitch circle, larger thread)
- CMS -K-B: Manual change head basic version without integrated air feed-throughs and without monitoring options
- CMS -A-B: Manual change head basic version without integrated air feed-throughs

1.2 Warranty

If the product is used as intended, the warranty is valid for 24 months from the ex-works delivery date under the following conditions:

- Observe the specified maintenance and lubrication intervals
- Observe the ambient conditions and operating conditions

Parts touching the workpiece and wear parts are not included in the warranty.

1.3 Accessories

A wide range of accessories are available for this product

For information regarding which accessory articles can be used with the corresponding product variants, see catalog data sheet.

1.4 Scope of delivery

The scope of delivery includes

- Manual change head CMS-K or manual change adapter CMS-A in the version ordered
- Safety information (product-specific instructions available online)
- Accessory kit (not with basic version -B)
 - Locking screws for radial air feed-throughs (number and dimensions vary depending on size)
 - O-rings for axial feed-through (number and dimensions vary depending on size)

2 Basic safety notes

2.1 Intended use

- The manual change system CMS consisting of a manual change head CMS-K and a manual change adapter CMS-A is intended for rapid changing of parts and automation components, e.g. grippers on a robot.
- The manual change system CMS is not part of the load.
- The manual change head CMS-K is mounted on an industrial robot. The manual change adapter CMS-A is mounted on the end effector.
- CMS-A and CMS-K are connected with a quick-release system.
- Connection of optional modules to head and adapter and inductive sensors to head (not with basic version).

Operating conditions

- Use in covered or closed areas
- Use in non-explosive areas
- Pass through air only. No corrosive and flammable gases permitted.
- The product may only be used within the scope of its technical data, ▶ 3 [15].
- The product is intended for industrial and industry-oriented use.
- Appropriate use of the product includes compliance with all instructions in this manual.

2.2 Not intended use

Any use that exceeds or differs from the appropriate use is regarded as misuse. This includes in particular:

- Use of the CMS as lifting equipment
- Outdoor use
- Use in potentially explosive areas

2.3 Constructional changes

Implementation of structural changes

Modifications, changes or reworking, e.g. additional threads, holes, or safety devices, can damage the product or impair its functionality or safety.

- Structural changes should only be made with the written approval of SCHUNK.

2.4 Spare parts

Use of unauthorized spare parts

Using unauthorized spare parts can endanger personnel and damage the product or cause it to malfunction.

- Use only original spare parts or spares authorized by SCHUNK.

2.5 Ambient conditions and operating conditions

Required ambient conditions and operating conditions

Incorrect ambient and operating conditions can make the product unsafe, leading to the risk of serious injuries, considerable material damage and/or a significant reduction to the product's life span.

- Make sure that the product is used only in the context of its defined application parameters, ▶ 3 [15].

2.6 Personnel qualification

Inadequate qualifications of the personnel

If the personnel working with the product is not sufficiently qualified, the result may be serious injuries and significant property damage.

- All work may only be performed by qualified personnel.
- Before working with the product, the personnel must have read and understood the complete assembly and operating manual.
- Observe the national safety regulations and rules and general safety instructions.

The following personal qualifications are necessary for the various activities related to the product:

Trained electrician	Due to their technical training, knowledge and experience, trained electricians are able to work on electrical systems, recognize and avoid possible dangers and know the relevant standards and regulations.
Qualified personnel	Due to its technical training, knowledge and experience, qualified personnel is able to perform the delegated tasks, recognize and avoid possible dangers and knows the relevant standards and regulations.
Instructed person	Instructed persons were instructed by the operator about the delegated tasks and possible dangers due to improper behaviour.
Service personnel of the manufacturer	Due to its technical training, knowledge and experience, service personnel of the manufacturer is able to perform the delegated tasks and to recognize and avoid possible dangers.

2.7 Personal protective equipment

Use of personal protective equipment

Personal protective equipment serves to protect staff against danger which may interfere with their health or safety at work.

- When working on and with the product, observe the occupational health and safety regulations and wear the required personal protective equipment.
- Observe the valid safety and accident prevention regulations.
- Wear protective gloves to guard against sharp edges and corners or rough surfaces.
- Wear heat-resistant protective gloves when handling hot surfaces.
- Wear protective gloves and safety goggles when handling hazardous substances.
- Wear close-fitting protective clothing and also wear long hair in a hairnet when dealing with moving components.

2.8 Notes on safe operation

Incorrect handling of the personnel

Incorrect handling and assembly may impair the product's safety and cause serious injuries and considerable material damage.

- Avoid any manner of working that may interfere with the function and operational safety of the product.
- Use the product as intended.
- Observe the safety notes and assembly instructions.
- Do not expose the product to any corrosive media. This does not apply to products that are designed for special environments.
- Eliminate any malfunction immediately.
- Observe the care and maintenance instructions.
- Observe the current safety, accident prevention and environmental protection regulations regarding the product's application field.

2.9 Transport

Handling during transport

Incorrect handling during transport may impair the product's safety and cause serious injuries and considerable material damage.

- When handling heavy weights, use lifting equipment to lift the product and transport it by appropriate means.
- Secure the product against falling during transportation and handling.
- Stand clear of suspended loads.

2.10 Malfunctions

Behavior in case of malfunctions

- Immediately remove the product from operation and report the malfunction to the responsible departments/persons.
- Order appropriately trained personnel to rectify the malfunction.
- Do not recommission the product until the malfunction has been rectified.
- Test the product after a malfunction to establish whether it still functions properly and no increased risks have arisen.

2.11 Disposal

Handling of disposal

The incorrect handling of disposal may impair the product's safety and cause serious injuries as well as considerable material and environmental harm.

- Follow local regulations on dispatching product components for recycling or proper disposal.

2.12 Fundamental dangers

General

- Observe safety distances.
- Never deactivate safety devices.
- Before commissioning the product, take appropriate protective measures to secure the danger zone.
- Disconnect power sources before installation, modification, maintenance, or calibration. Ensure that no residual energy remains in the system.
- If the energy supply is connected, do not move any parts by hand.
- Do not reach into the open mechanism or movement area of the product during operation.

2.12.1 Protection during handling and assembly

Incorrect handling and assembly

Incorrect handling and assembly may impair the product's safety and cause serious injuries and considerable material damage.

- Have all work carried out by appropriately qualified personnel.
- For all work, secure the product against accidental operation.
- Observe the relevant accident prevention rules.
- Use suitable assembly and transport equipment and take precautions to prevent jamming and crushing.

Incorrect lifting of loads

Falling loads may cause serious injuries and even death.

- Stand clear of suspended loads and do not step into their swiveling range.
- Never move loads without supervision.
- Do not leave suspended loads unattended.

2.12.2 Protection during commissioning and operation

Falling or violently ejected components

Falling and violently ejected components can cause serious injuries and even death.

- Take appropriate protective measures to secure the danger zone.
- Never step into the danger zone during operation.

2.13 Notes on particular risks



⚠ WARNING

Risk of injury due to unexpected movements!

If the power supply is switched on or residual energy remains in the system, components can move unexpectedly and cause serious injuries.

- Before starting any work on the product: Switch off the power supply and secure against restarting.
- Make sure, that no residual energy remains in the system.



⚠ WARNING

Risk of crushing due to objects falling or thrown out!

If a component breaks during operation or when pressure drops, the load can no longer be held. Items may fall or be thrown out, causing serious injury..

- Check the product for damage before operation. Repair if necessary.
- Observe the maintenance intervals.
- Do not operate the product with defective and / or damaged seals. Replace defective and / or damaged seals immediately.
- Take appropriate protective measures to secure the danger zone.



⚠ WARNING

Risk of crushing due to objects falling or thrown out!

If the maximum permissible load is exceeded, the product can no longer hold the load. This load can be thrown out and lead to serious injuries.

- Ensure that the permissible load is not exceeded.
- Take appropriate protective measures to secure the danger zone.



⚠ WARNING

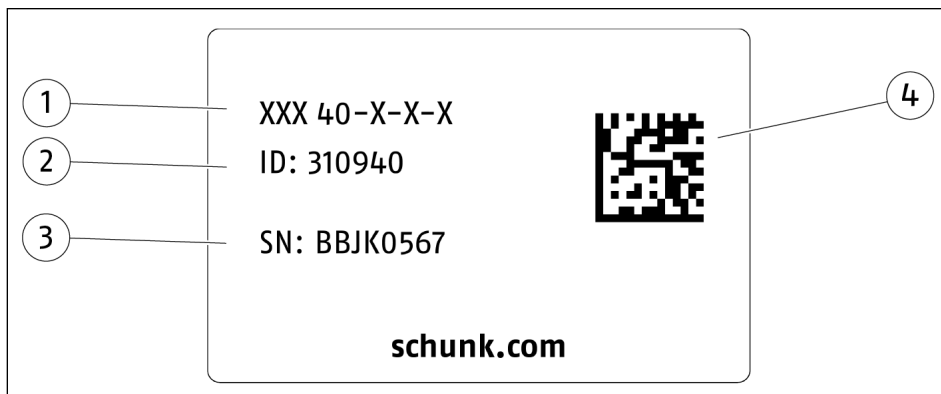
Danger of crushing due to falling objects!

When transporting, assembling, disassembling and servicing, the product may fall down if the position changes unintentionally and result in serious injury.

- Wear suitable protective equipment.

3 Technical data

3.1 Name plate



- 1 Product designation

- 2 ID

- 3 Serial number

- 4 Data matrix code

Scan code or enter serial number on the web and get all the product information: operating manuals, spare parts packages, software updates and much more.

For further information, visit [schunk.com/serialisierung](https://www.schunk.com/serialisierung)

A separate app may be required for scanning with a mobile phone.

3.2 Basic Data

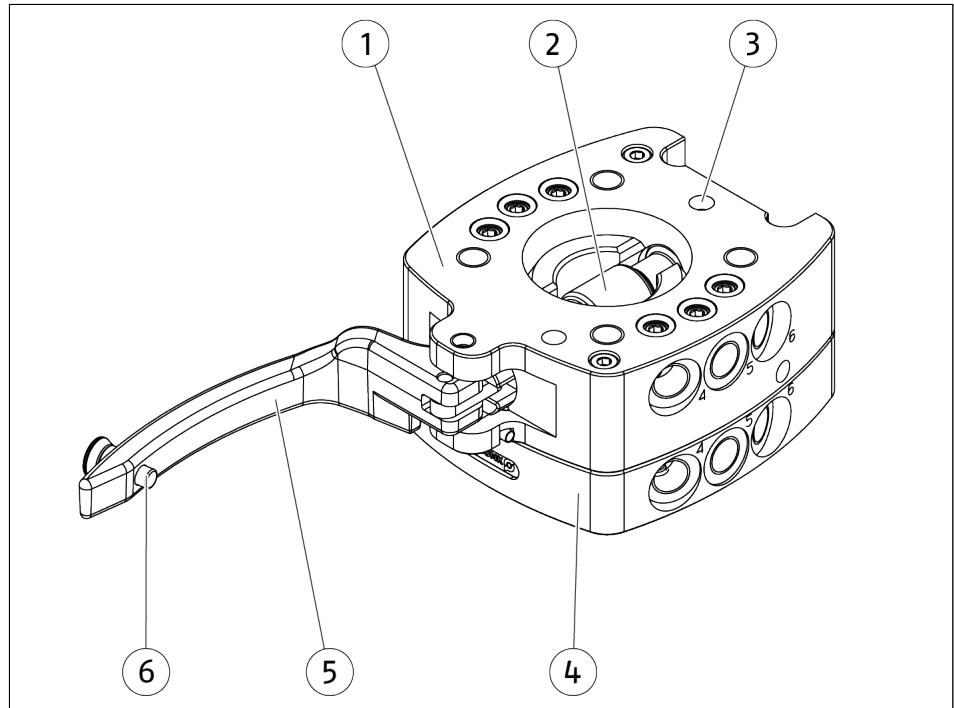
Permitted loading assuming the following conditions

Size	Pitch diameter [mm]	CMS-K Weight [kg]	CMS-K-B Weight [kg]	CMS-A Weight [kg]	CMS-A-N Weight [kg]	CMS-A-B Weight [kg]	Repeatability [mm]	Max. dynamic torsional moment [Nm]	Max. dynamic bending moment [Nm]	Max. dynamic tensile force [N]	pneumatic feed-through (max. 8 bar)
040	40	0.16	0.16	0.09	0.09	0.09	< 0.02	15	22.5	350	4 x M5
050	50	0.27	0.27	0.14	0.14	0.15	< 0.02	27	35	450	6 x M5
063	63	0.49	0.50	0.27	0.27	0.3	< 0.02	48	75	500	6 x G1/8"
080	80	0.81	0.83	0.43	0.42	0.47	< 0.02	75	115	800	9 x G1/8"
100	100	1.65	1.65	1.04	1.03	1.11	< 0.02	230	230	1200	12 x G1/8"
125	125	3.37	3.46	1.7	1.7	1.85	< 0.02	465	478	1500	12 x G1/4"

More technical data is included in the catalog data sheet. Whichever is the latest version.

4 Design and description

4.1 Design



- | | |
|---|--|
| 1 | Manual change head CMS-K (robot-side) |
| 2 | Lock bolt |
| 3 | Fitting for cylindrical pin for angular alignment |
| 4 | Manual change adapter CMS-A (gripper-side, end effector) |
| 5 | Hand lever |
| 6 | Suspended bolt |

4.2 Description

Manual change system CMS, consisting of a CMS-K manual change head and a CMS-A manual change adapter, is lockable and unlockable with a hand lever.

The lock bolt, which is operated using the hand lever, connects the CMS-K and CMS-A quickly, form-fitting and free from clearance.

Integrated pneumatic feed-throughs reliably supply the tool with compressed air and vacuum.

5 Assembly

5.1 Installing and connecting



⚠ WARNING

Risk of injury due to improperly carried out assembly!

Improperly carried out assembly work can lead to severe injuries and property damage.

- Before beginning work, ensure sufficient assembly clearance.
- Secure components from falling down or over.
- Ensure that all work has been carried out in accordance with the specifications in these instructions.
- Observe tightening torques.

1. Check the evenness of the mounting surface, ▶ 5.2 [18].
2. Attach the product to the robot, ▶ 5.2 [18].
 - ⇒ Observe the maximal tightening torque, admissible screw-in depth and, if necessary, strength class.
3. Mount sensors if necessary, ▶ 5.4 [23].
4. Mount optional modules if necessary, ▶ 5.5 [24]

Tightening torques for screws – details in Nm

Screw Strength class 8.8	M6	M8	M10	M12
Max. tightening torque [Nm]	10	25	49	85

5.2 Mechanical connection

Evenness of the mounting surface

The values apply to the whole mounting surface to which the product is mounted.

Edge length	Permissible unevenness
< 100	< 0.02
> 100	< 0.05

Tab.: Requirements for evenness of the mounting surface (Dimensions in mm)

Adapter plate requirements

An adapter plate can be used for mounting the CMS-K on the robot and the end effector on the CMS-A. An adapter plate is necessary if the screw connection pattern of the CMS has to be adapted to the customer's equipment (robot flange, end effector). **NOTICE! Only use adapter plates if they have bore holes and recesses that match the product exactly. Precise assembly is a prerequisite for proper functioning.**

The adapter plate must meet the following requirements:

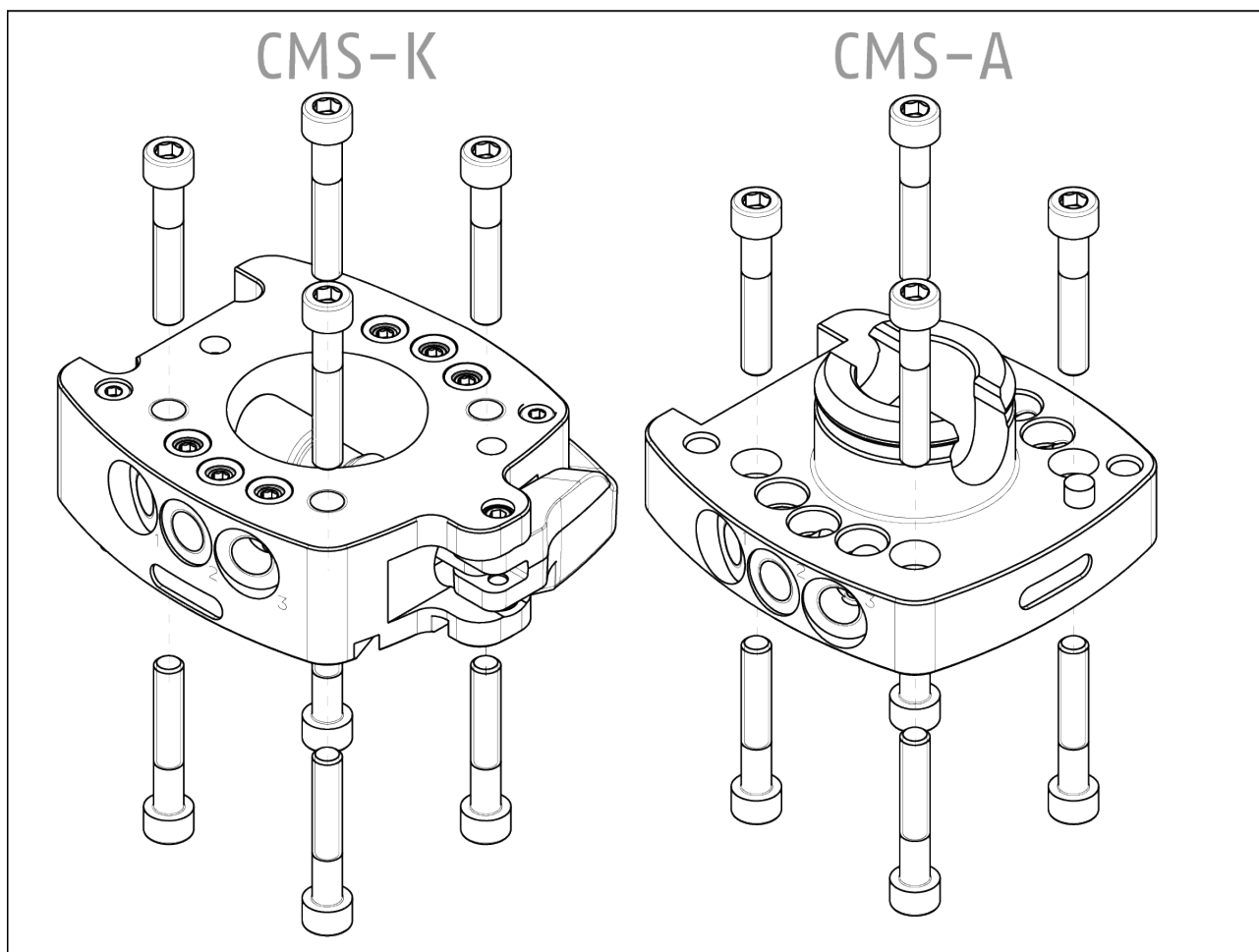
- The adapter plate requires bores for the mounting screws with sufficient thread depth for mounting on the robot.
- The adapter plate requires centering recesses for dowel pins with sufficient depth so that no gap is created during assembly.
- Depending on the robot flange, the adapter plate requires a centering plate on the robot side and a centering recess at the interface to the CMS-K robot side.
- Depending on the end effector, the adapter plate requires a centering plate on the CMS-A tool side and a centering recess at the interface to the end effector.
- For sizes with an external piston stroke control, the adapter plate requires a recess adapted to the sensor outlet.

The catalog data sheet contains detailed information and precise manufacturing instructions for possible adapter plate design.

NOTE

The manual change head and adapter (CMS-K and CMS-A) have a drilling pattern as per DIN ISO 9409-1 and can therefore be mounted on most robots without additional adapter plates.

Screws are not included in the scope of delivery!



Fitting performed from below

Size	Flange/screws
040-K	matching ISO 9409-1-40-4-M6
040-K-B	matching ISO 9409-1-40-4-M6
040-A	matching ISO 9409-1-40-4-M6
040-A-B	matching ISO 9409-1-40-4-M6
040-A-N	Ø40, 4x M8
050-K	matching ISO 9409-1-50-4-M6
050-K-B	matching ISO 9409-1-50-4-M6
050-A	matching ISO 9409-1-50-4-M6
050-A-B	matching ISO 9409-1-50-4-M6
050-A-N	Ø50, 4x M8
063-K	matching ISO 9409-1-63-4-M6
063-K-B	matching ISO 9409-1-63-4-M6
063-A	matching ISO 9409-1-63-4-M6
063-A-B	matching ISO 9409-1-63-4-M6
063-A-N	Ø63, 4x M8
080-K	matching ISO 9409-1-80-6-M8

Size	Flange/screws
080-K-B	matching ISO 9409-1-80-6-M8
080-A	matching ISO 9409-1-80-6-M8
080-A-B	matching ISO 9409-1-80-6-M8
080-A-N	Ø80, 4x M10
100-K	matching ISO 9409-1-100-6-M8
100-K-B	matching ISO 9409-1-100-6-M8
100-A	matching ISO 9409-1-100-6-M8
100-A-B	matching ISO 9409-1-100-6-M8
100-A-N	Ø100, 4x M10
125-K	matching ISO 9409-1-125-6-M10
125-K-B	matching ISO 9409-1-125-6-M10
125-A	matching ISO 9409-1-125-6-M10
125-A-B	matching ISO 9409-1-125-6-M10
125-A-N	Ø50, 6x M12

Fitting from above

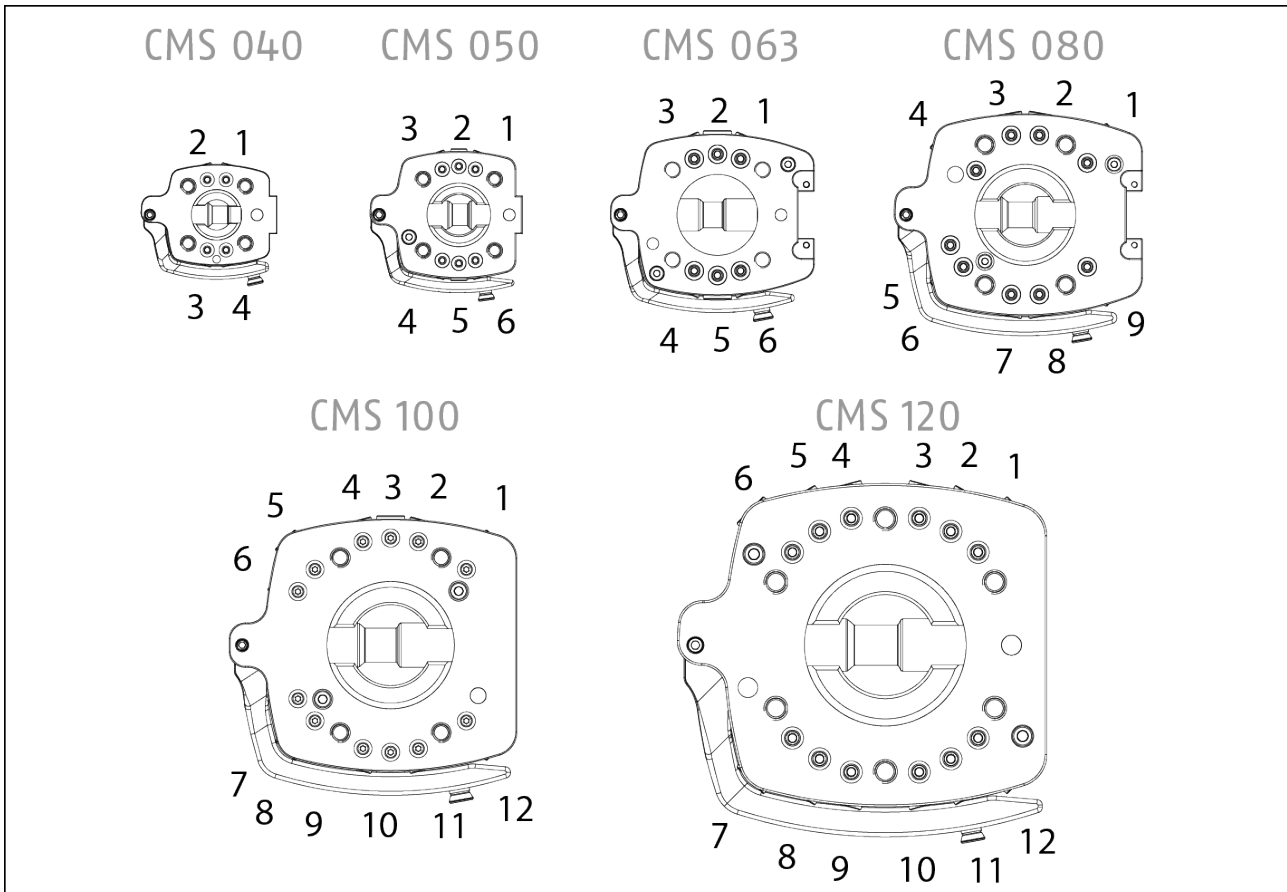
Size	Flange/screws
040-K	Ø40, 4xM8
040-K-B	Ø40, 4xM8
040-A	Ø40, 4x M4
040-A-B	Ø40, 4x M4
040-A-N	Ø40, 4x M6
050-K	Ø50, 4xM8
050-K-B	Ø50, 4xM8
050-A	Ø50, 4x M4
050-A-B	Ø50, 4x M4
050-A-N	Ø50, 4x M6
063-K	Ø63, 4xM8
063-K-B	Ø63, 4xM8
063-A	Ø63, 4x M4
063-A-B	Ø63, 4x M4
063-A-N	Ø63, 4x M6
080-K	Ø80, 4xM10
080-K-B	Ø80, 4xM10
080-A	Ø80, 4x M6
080-A-B	Ø80, 4x M6
080-A-N	Ø80, 4x M8

Size	Flange/screws
100-K	Ø100, 4xM10
100-K-B	Ø100, 4xM10
100-A	Ø100, 4x M6
100-A-B	Ø100, 4x M6
100-A-N	Ø100, 4x M8
125-K	Ø125, 6xM12
125-K-B	Ø125, 6xM12
125-A	Ø125, 6x M8
125-A-B	Ø125, 6x M8
125-A-N	Ø125, 6x M10

5.3 Pneumatic connection

The air connections can be created at the various connections according to the table.

- Close unused main air connections using the screw plugs from the enclosed pack.
- For a hose-free direction connection, use the O-rings from the enclosed pack.



Size	Push-in fitting recommended/usable
40	Festo: QSM-M5-4-I; QSM-M5-6-I; QSML-M5-4; QSML-M5-6 AVS Römer: 930P3-6FF-M5
50	Festo: QSM-M5-4-I; QSM-M5-6-I; QSML-M5-4; QSML-M5-6 AVS Römer: 930P3-6FF-M5
63	Festo: QSM-G1/8-4-I; QSM-G1/8-6-I; QS-G1/8-6-I; QS-G1/8-8-I; QSML-G1/8-4; QSML-G1/8-6; QSL-G1/8-6; QSL-G1/8-8
80	Festo: QSM-G1/8-4-I; QSM-G1/8-6-I; QS-G1/8-6-I; QS-G1/8-8-I; QSML-G1/8-4 *1); QSML-G1/8-6 *1); QSL-G1/8-6 *1); QSL-G1/8-8 *1)
100	Festo: QSM-G1/8-4-I; QSM-G1/8-6-I; QS-G1/8-6-I; QS-G1/8-8-I; QSML-G1/8-4 *2); QSML-G1/8-6 *2); QSL-G1/8-6 *2); QSL-G1/8-8 *2)
125	Festo: QS-G1/4-6-I; QS-G1/4-8-I; QS-G1/4-10-I; QSL-G1/4-6 *3); QSL-G1/4-8 *3); QSL-G1/4-10 *3); QSL-G1/4-12 *3)

Restrictions are noted with footnotes:

*1) (can only be used on connections 2, 3, 7, 8)

*2) (can only be used on connections 2, 3, 4, 5, 8, 9, 10, 11)

*3) (can only be used on connections 3, 4, 6, 7, 9, 10)

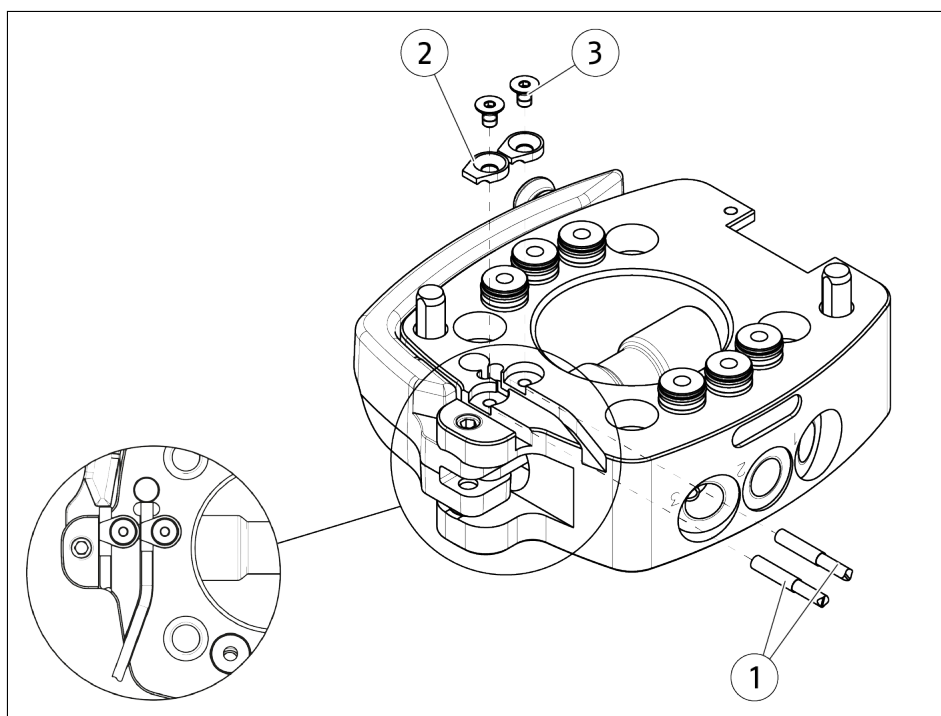
5.4 Mounting inductive proximity switch IN 30K-S-M8

NOTE

Observe the assembly and operating manual of the sensor for mounting and connecting.

The product is prepared for the use of the inductive sensor **IN 30K-S-M8**.

- For technical data for the suitable sensors, see Assembly and Operating Manual and catalog data sheet.
 - The Assembly and Operating Manual and catalog data sheet are included in the scope of delivery for the sensors and are available at schunk.com.
- Information on handling sensors is available at schunk.com or from SCHUNK contact persons.



1. Slide sensors (1) up to the stop in the groove.
2. Insert the clamping bracket (2) into the groove.
3. Tighten screws (3).
 - ⇒ Max. tightening torque: 0.2 Nm

NOTICE

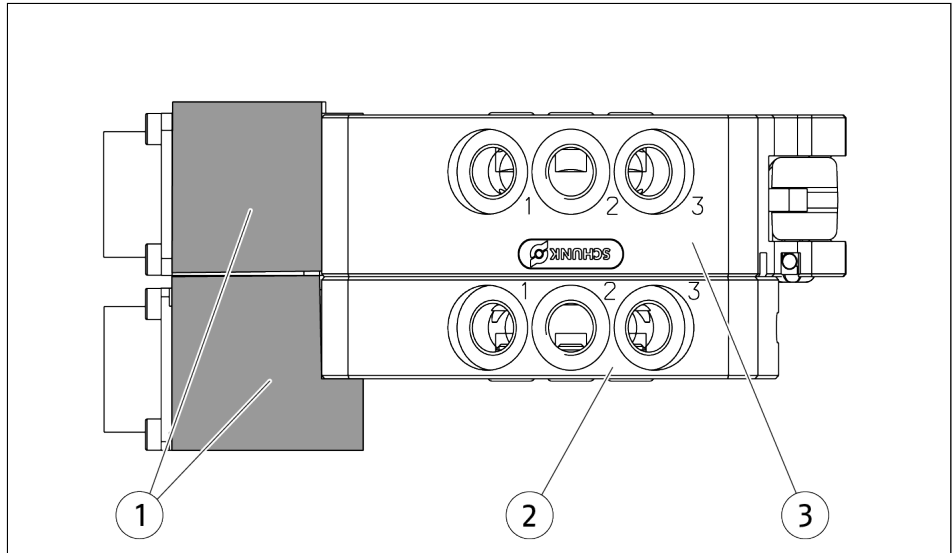
Possible risk of damage to the sensor and cable during assembly!

Route the sensor cable in such a way that there is no tensile strain on the cable or sensor and the cable cannot become entrapped (see illustration).

5.5 Attachment options for optional modules

NOTE

When attaching the optional modules, it can be that the optional module (1) does not connect flush to the manual change adapter (2) or the manual change head (3).



For more information on mounting and screw-on options for option modules, refer to the catalog data sheet.

6 Operation

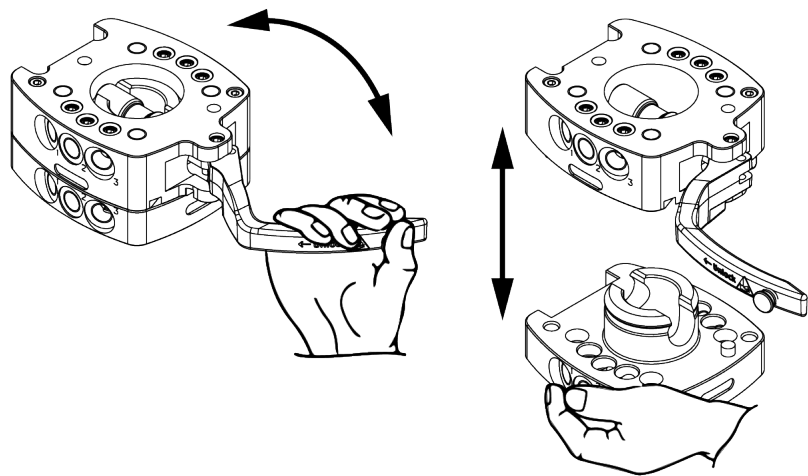


⚠ WARNING

Risk of injury due to unexpected movements!

If the power supply is switched on or residual energy remains in the system, components can move unexpectedly and cause serious injuries.

- Before starting any work on the product: Switch off the power supply and secure against restarting.
- Make sure, that no residual energy remains in the system.



To unlock, open the hand lever max. 180° the manual change adapter.

Unlocking / locking

6.1 Unlocking



⚠ WARNING

Danger of crushing due to falling objects!

When unlocking, the end effector can fall down when the hand levers are fully open and in an unfavorable end position and lead to serious injuries.

- Before unlocking secure the end effector against falling.
- Wear suitable protective equipment.



⚠ WARNING

Risk of injury from particles thrown out!

When unlocking, dirt particles can be thrown out and lead to serious eye injuries.

- Before unlocking, depressurize system and vent.
- Wear suitable protective equipment.

NOTE

Grease the lock bolt if it does not move freely

1. Secure the CMS-A against falling down.
2. Pull the suspended bolt on the hand lever.
3. Turn the hand lever 180° until it stops (unlock).
 - ⇒ CMS-K and CMS-A can be pulled apart in the axial direction.

6.2 Locking



⚠ CAUTION

Danger of crushing due to moving parts.

Fingers and hands can be crushed when locking the manual change system.

- Proceed with caution when locking.
- Do not place fingers between the hand lever, manual change head and manual change adapter.

1. Move the hand lever into the open position.
2. CMS-K and CMS-A one inside the other in this position.
3. Close the hand lever and snap in the suspended bolt into the bore hole.
 - ⇒ Lock is in effect.

7 Maintenance

7.1 Notes



⚠ WARNING

Risk of injury from electric shock due to contact with live parts!

- Before starting any work: Disconnect the power supply from the mains and secure against accidental switch-on.
- Work may only be performed by appropriately qualified personnel.

Original spare parts

Use only original spare parts of SCHUNK when replacing spare and wear parts.

7.2 Maintenance intervals

Maintenance interval	Maintenance work
regularly (on each change)	Perform a visual inspection. The product must be free of swarf and dirt.
1000 changing processes *)	Clean all parts thoroughly, check for damage and wear. Oil and grease any uncoated steel or moving parts that are exposed. . Grease suspended bolts at the contact surfaces to CMS-K and CMS-A
as required	Send damaged products to SCHUNK for repair.

*) Information refers to use under normal operating and ambient conditions.

7.3 Lubricants/Lubrication points

During maintenance, treat all greased areas with lubricant. Thinly apply lubricant with a lint-free cloth.

SCHUNK recommends the lubricants listed.

Lubricant point	Lubricant
Metallic sliding surfaces	SCHUNK grease 1
Seals and sealing surfaces	SCHUNK grease 1

Details regarding SCHUNK lubricant designations are available at [schunk.com/lubricants](https://www.schunk.com/lubricants).

The product contains food-compliant lubricants as standard.

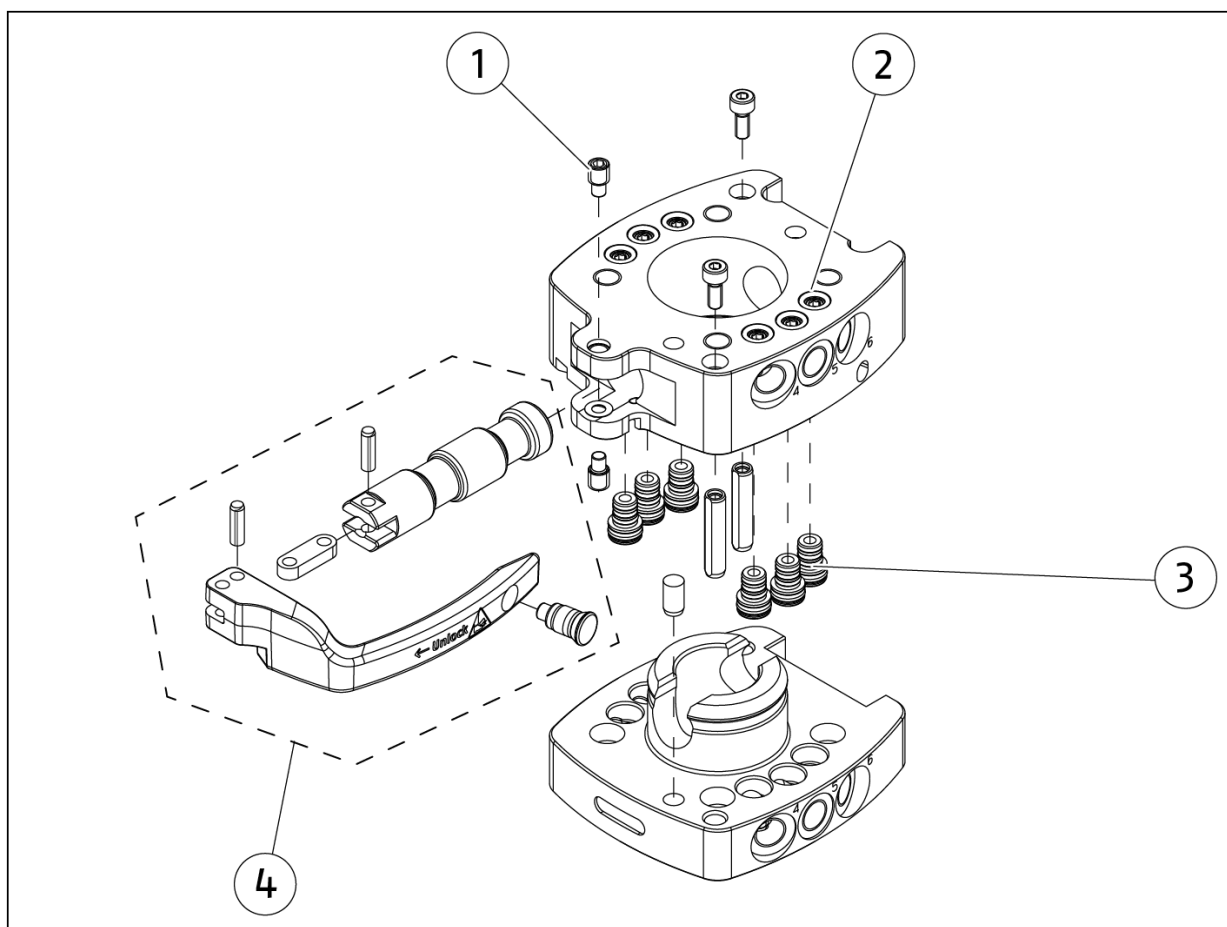
The requirements of standard EN 1672-2:2020 are not fully met.

NOTE

- Change contaminated food-compliant lubricant.
 - Observe information in the safety data sheet from the lubricant manufacturer.
-

7.4 Spare and wearing parts

The following figure is an example image.
It serves for illustration and assignment of the spare parts.
Variations are possible depending on size and variant.

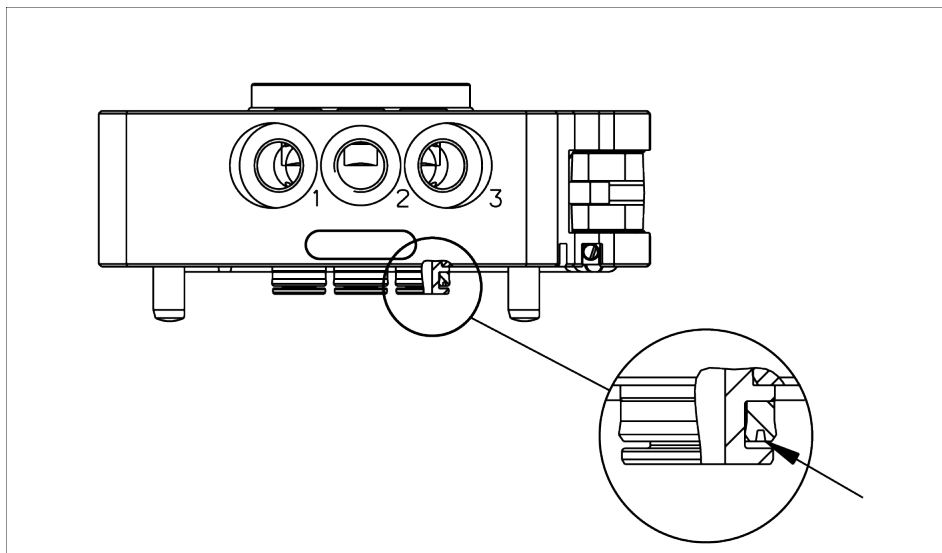


Size	① Guide screw ID/quantity	② O-ring ID/Ø, quantity	③ Seal set ID/quantity per seal set	④ Hand lever with detent pin, Bolt lug and thrust pin ID
040	1544336 (2x)	9611112 (Ø4, 4x)	1551974 (4x)	1655203
050	1561737 (2x)	9611112 (Ø4, 6x)	1551976 (6x)	1655204
063	1544339 (2x)	9611081 (Ø6, 6x)	1551979 (6x)	1655205
080	1562091 (2x)	9611081 (Ø6, 9x)	1552000 (9x)	1655206
100	1562092 (2x)	9611081 (Ø6, 12x)	1552001 (12x)	1655207
125	1544343 (2x)	9611082 (Ø8, 12x)	1552003 (12x)	1655208

7.5 Mounting seals

NOTE

When replacing a seal, ensure that the seal is installed in the correct position (see arrow).



8 Translation of the original declaration of incorporation

in terms of the Directive 2006/42/EG, Annex II, Part 1 Section B.

Manufacturer/
Distributor SCHUNK SE & Co. KG
Spanntechnik | Greiftechnik | Automatisierungstechnik
Bahnhofstr. 106 – 134
D-74348 Lauffen/Neckar

We hereby declare that the partly completed machine described below

Product designation: Manual change system / CMS /pneumatic
ID number 1545243; 1545265; 1545281; 1545285; 1545287;1545289; 1545310;
1545313; 1545314; 1545315; 1545316; 1545318; 1545319; 1545321;
1545322; 1545324; 1545325; 1545327; 1545360; 1545362; 1545364;
1545366; 1545368; 1545370; 1545387; 1545393; 1545397; 1545401;
1545403; 1545404

meets the following basic occupational health and safety of the Machinery Directive 2006/42/EC:

No. 1.1.1, No. 1.1.2, No. 1.1.3, No. 1.1.5, No. 1.3.2, No. 1.5.3, No. 1.5.4, No. 1.5.6, No. 1.5.8, No. 1.5.10, No. 1.5.11, No. 1.5.13

The partly completed machinery may not be put into operation until it has been confirmed that the machine into which the partly completed machinery is to be installed complies with the provisions of the Machinery Directive (2006/42/EC). The declaration shall be rendered invalid if modifications are made to the product.

Applied harmonized standards, especially:

EN ISO 12100:2010 Safety of machinery – General principles for design –
Risk assessment and risk reduction

The special technical documentation according to Annex VII, Part B, belonging to the partly completed machine, has been created.

Person authorized to compile the technical documentation:
Stefanie Walter, Address: see manufacturer's address

Signature: see original declaration

Lauffen/Neckar, October 2025

Dr.-Ing. Manuel Baumeister,
Head of Systems Engineering,
Technology & Innovation

9 UKCA declaration of incorporation

in accordance with the Supply of Machinery (Safety) Regulations 2008.

Manufacturer/
Distributor SCHUNK Intec Limited
Clamping and gripping technology
3 Drakes Mews, Crownhill
MK8 0ER Milton Keynes

We hereby declare that on the date of the declaration the following partly completed machine complied with all basic safety and health regulations found in the "Supply of Machinery (Safety) Regulations 2008".

The declaration shall be rendered invalid if modifications are made to the product.

Product designation: Manual change system / CMS / pneumatic
ID number 1545243; 1545265; 1545281; 1545285; 1545287; 1545289; 1545310;
1545313; 1545314; 1545315; 1545316; 1545318; 1545319; 1545321;
1545322; 1545324; 1545325; 1545327; 1545360; 1545362; 1545364;
1545366; 1545368; 1545370; 1545387; 1545393; 1545397; 1545401;
1545403; 1545404

The partly completed machine may not be put into operation until it has been confirmed that the machine into which the partly completed machine is to be installed complies with the provisions of the "Supply of Machinery (Safety) Regulations 2008".

Applied harmonized standards, especially:

EN ISO 12100:2010 Safety of machinery – General principles for design –
Risk assessment and risk reduction

The special technical documentation according to Annex VII, Part B, belonging to the partly completed machine, has been created.

Person authorized to compile the technical documentation:
Marcel Machado, address: refer to manufacturer's address



Lauffen/Neckar, October 2025

Dr.-Ing. Manuel Baumeister,
Head of Systems Engineering,
Technology & Innovation

10 Information on the RoHS Directive, REACH Regulation and Substances of Very High Concern (SVHC)

RoHS Directive

SCHUNK products are classified as "large-scale stationary installations" or as "large-scale stationary industrial tools" within the meaning of Directive 2011/65/EU and its extension 2015/863/EU "on the restriction of the use of certain hazardous substances in electrical and electronic equipment (RoHS)", or fulfill their intended function only as part of one. Therefore products from SCHUNK do not fall within the scope of the directive at this time.

REACH Regulation

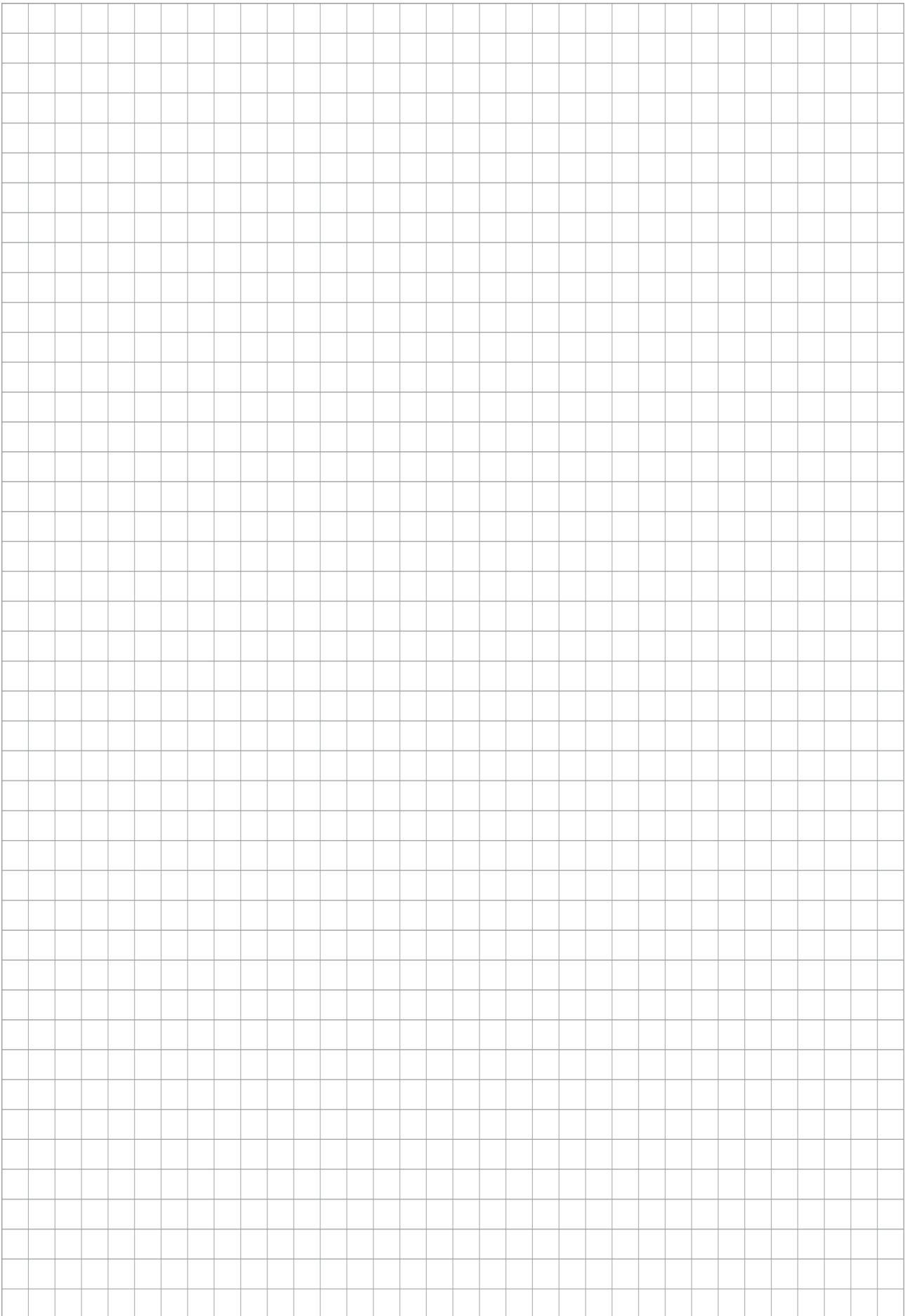
Products from SCHUNK fully comply with the regulations of Regulation (EC) No. 1907/2006 "concerning the Registration, Evaluation, Authorization and Restriction of Chemicals (REACH)" and its amendment 2022/477. SCHUNK attaches great importance to completely avoiding chemicals of concern to humans and the environment wherever possible.

Only in rare exceptional cases do SCHUNK products contain SVHC substances on the candidate list with a mass content above 0.1%. In accordance with Article. 33 (1) of Regulation (EC) No. 1907/2006, SCHUNK complies with its duty to "communicate information on substances in articles" and lists the components concerned and the substances used in an overview that can be viewed at schunk.com/SVHC.

Signature: see original declaration

Lauffen/Neckar, October 2025

Dr.-Ing. Manuel Baumeister,
Head of Systems Engineering,
Technology & Innovation







SCHUNK SE & Co. KG
Spanntechnik | Greiftechnik | Automatisierungstechnik

Bahnhofstr. 106 - 134
D-74348 Lauffen/Neckar
Tel. +49-7133-103-0
info@de.schunk.com
schunk.com

Folgen Sie uns | *Follow us*



Wir drucken nachhaltig | *We print sustainable*